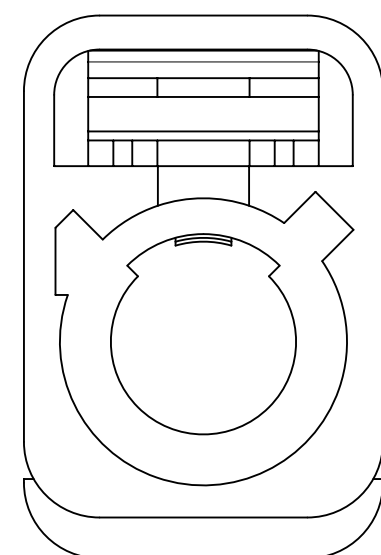
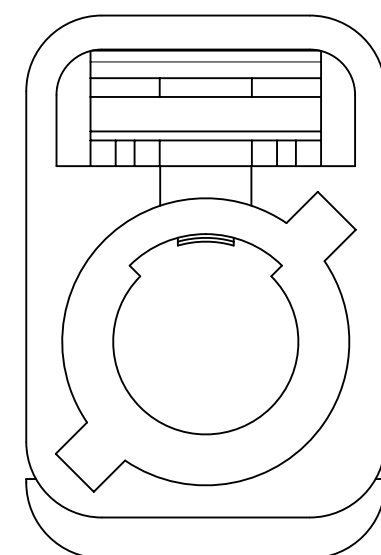


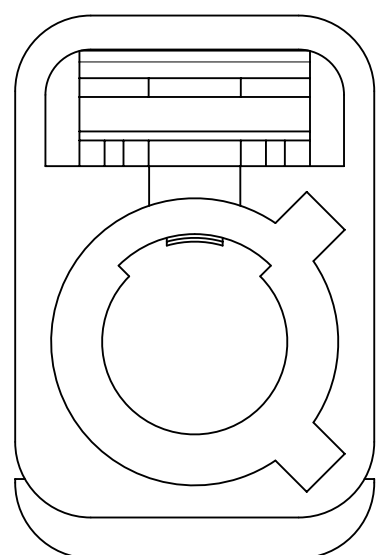
CODE A



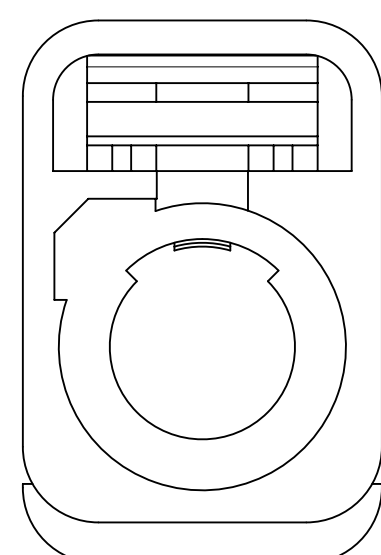
CODE B



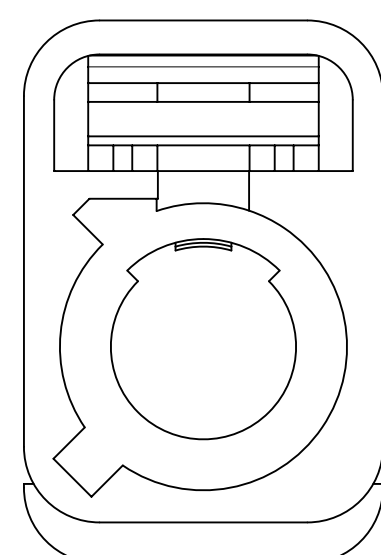
CODE C



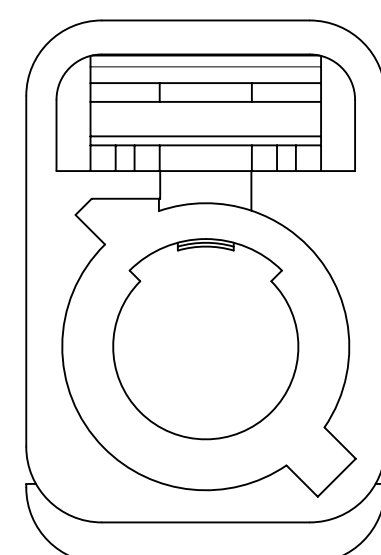
CODE D



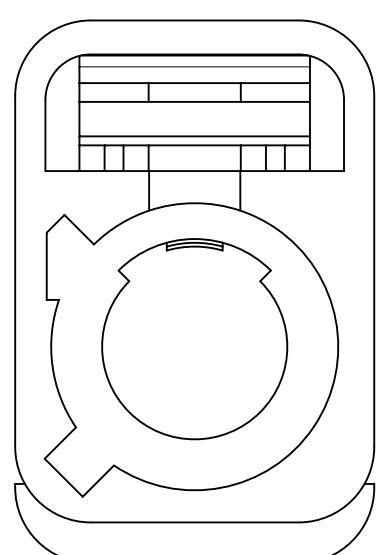
CODE E



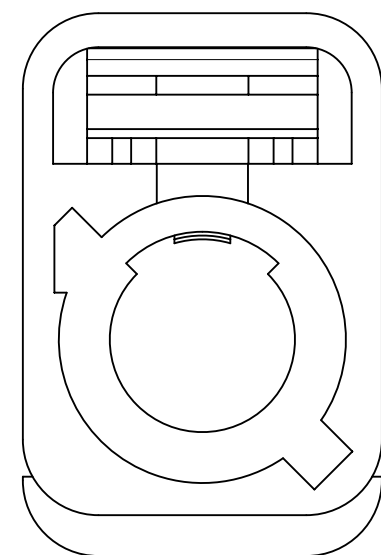
CODE F



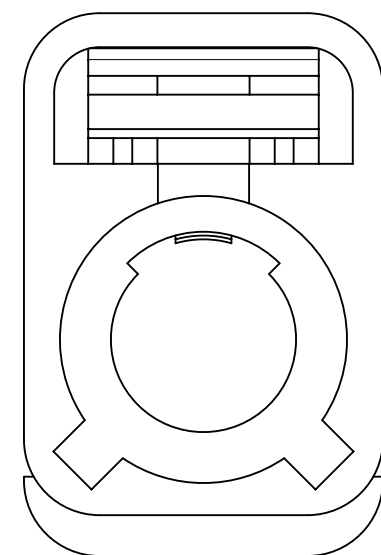
CODE G



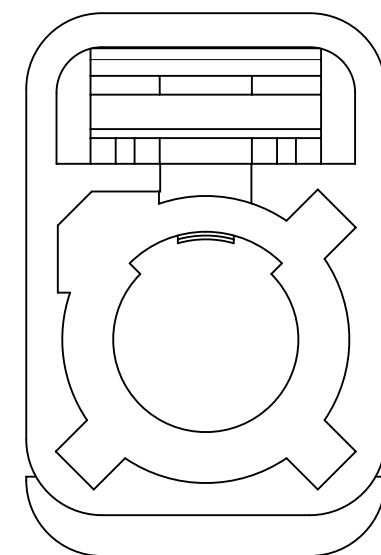
CODE H



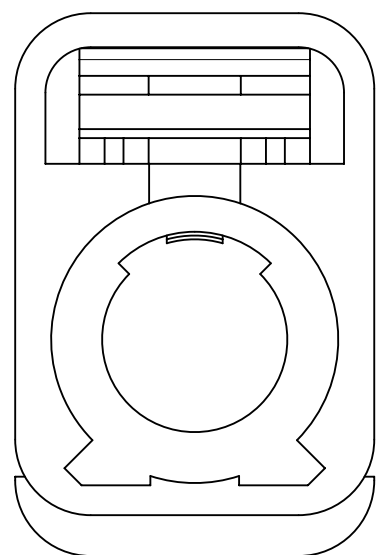
CODE I



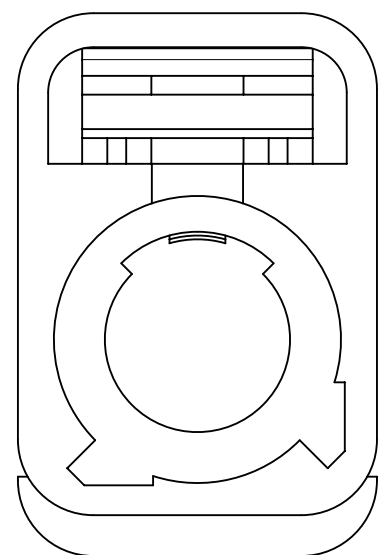
CODE K



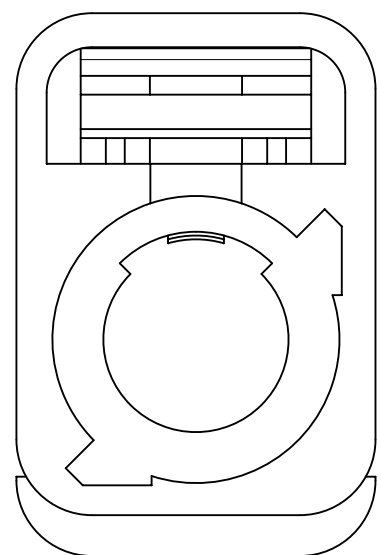
CODE Z



CODE L




CODE M



CODE N

N	PASTEL GREEN	73403-6933	89618-4363
M	PASTEL ORANGE	73403-6932	89618-4362
L	CARMINE RED	73403-6931	89618-4361
Z	WATER BLUE	73403-6930	89618-4360
K	CURRY YELLOW	73403-6929	89618-4359
I	BEIGN	73403-6928	89618-4358
H	VIOLET	73403-6927	89618-4357
G	GRAY	73403-6926	89618-4356
F	BROWN	73403-6925	89618-4355
E	GREEN	73403-6924	89618-4354
D	BORDEAUXVILOET	73403-6923	89618-4353
C	BLUE	73403-6922	89618-4352
B	SINGLE WHITE	73403-6921	89618-4351
A	BLACK	73403-6920	89618-4350
KEYING CODE	COLOR	PART NO.	ITEM 3 PART NO.

SYMBOLS				THIS DRAWING CONTAINS INFORMATION THAT IS PROPRIETARY TO MOLEX ELECTRONIC TECHNOLOGIES, LLC AND SHOULD NOT BE USED WITHOUT WRITTEN PERMISSION										
▽ = 0	4 PLACES	±		HYBRID	SCALE	CURRENT REV DESC:		 FAKRA PLUG STR. FOR RG316/174 CABLE FAKRA -PC PRODUCT CUSTOMER DRAWING						
▽ = 0	3 PLACES	±		GENERAL TOLERANCES (UNLESS SPECIFIED)	NTS	EC NO: 631845	2020/02/07				DOCUMENT NUMBER	DOC TYPE	DOC PART	REVISION
▽ = 0	2 PLACES	±		ANGULAR TOL ± 2.0°		DRWN: CWEI02	2020/02/10				SD-73403-692	PSD	001	C3
▽ = 0	1 PLACE	±				CHK'D: YCHENG	2020/02/10							
▽ = 0	0 PLACES	±				APPR: YCHENG	2020/02/10							
▽ = 0						INITIAL REVISION:								
▽ = 0						DRWN: ELIN	2015/05/29							
▽ = 0						APPR: YCHENG	2015/08/26							
▽ = 0						DRAFT WHERE APPLICABLE MUST REMAIN WITHIN DIMENSIONS	THIRD ANGLE PROJECTION	DRAWING	SERIES	MATERIAL NUMBER	CUSTOMER	SHEET NUMBER		
								C-SIZE	73403		GENERAL MARKET	2 OF 2		