

REV.	DESCRIPTION	DATE
A	RELEASE	2016.05.14

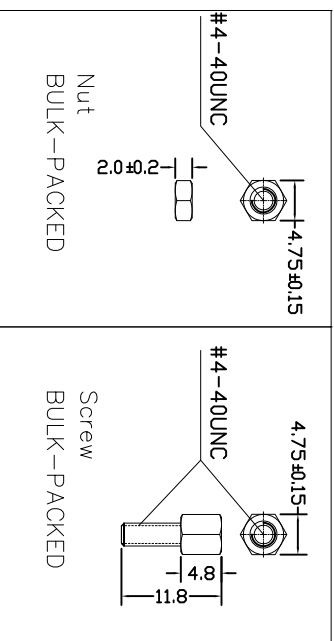
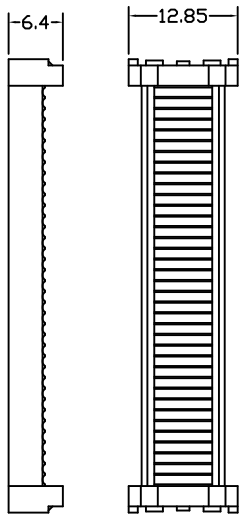
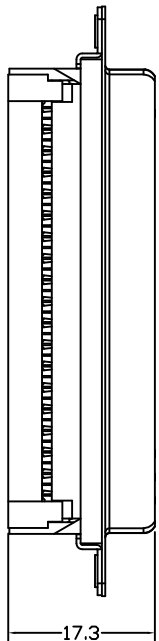
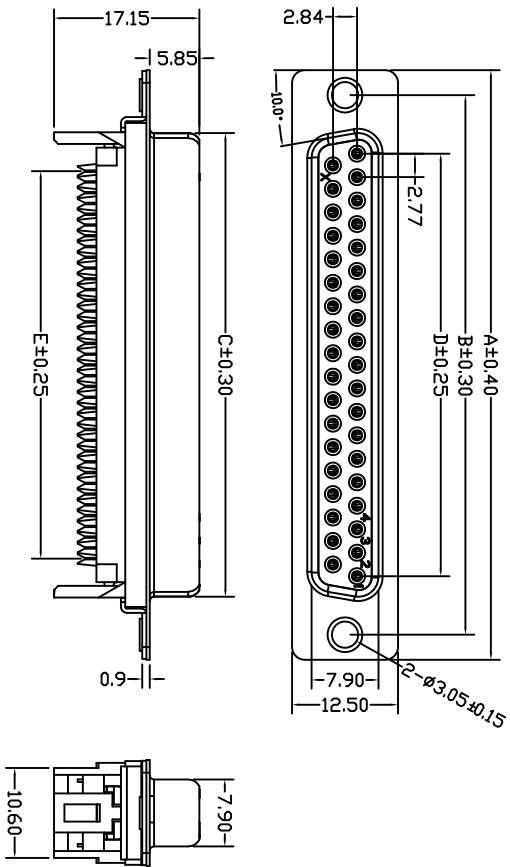
RoHS

**MATERIAL&FINISH**

Insulator: PBT Glass Fiber (UL94V-0)  
 Contact Material: Terminal Brass.  
 Shell Spec.  
 Contact Plating : Terminal Gold-Plated Over Nickel.  
 Shell Nickel.

**SPECIFICATIONS**

Current Rating :1A AC, DC  
 Voltage Rating : 250V AC, DC  
 Temperature Range:-40° C To+105° C  
 Contact Resistance: 20mΩ Max  
 Insulation Resistan: 1000MΩ Min  
 Withstanding Voltage: 500V AC/Min



NUMBER OF POSITIONS	DIMENSION				
	A	B	C	D	E
9	30.80	25.00	16.35	11.08	10.16
15	39.14	33.30	24.75	19.39	17.78
25	53.05	47.04	38.35	33.24	30.48
37	69.32	63.50	54.75	49.86	45.72

UNLESS TOLERANCE		DRAW BY	Cnc Tech, LLC	
GENERAL	ANGLE	DESIGN BY	Part NO: 400F0-XX-1-00	
X. ± 0.30	X°. ± 3.0°	CHECK BY		
.X ± 0.20	.X° ± 2.0°	APPROVE BY		
.XX ± 0.15	.XX° ± 1.0°	SCALE		
.XXX ± 0.08	.XXX ± 0.5°	SHEET	UNIT	
		SCALE	1:1	MM
		SHEET	1/1	
		UNIT		
		SCALE	1:1	MM
		SHEET	1/1	
		UNIT		

