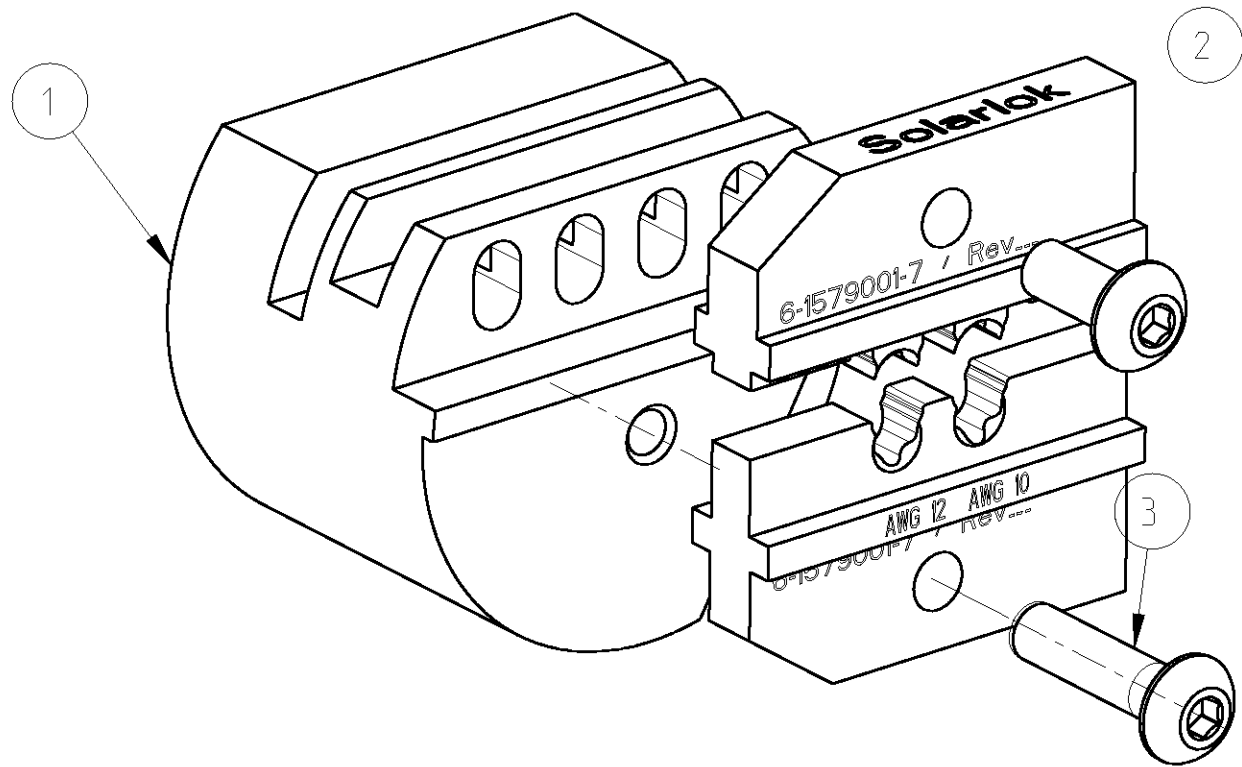


THIS DRAWING IS UNPUBLISHED. RELEASED FOR PUBLICATION 2008  
 © COPYRIGHT 2008 BY TYCO ELECTRONICS CORPORATION. ALL RIGHTS RESERVED.

LOC	DIST	REVISIONS					
		P	LTR	DESCRIPTION	DATE	DWN	APVD
A1	-		B	ECR-08-003823	12.02.2008	witt	-
			D	ECR-08-023312	16SEP2008	witt	-

DIE SET FOR SOLARLOK CONTACTS AWG 12 / AWG 10  
 MATRIZE FUER SOLARLOK-KONTAKTE AWG 12 / AWG 10

Kontakt TE P/N Contact TE P/N	Crimpbereich Crimp Section AWG	Crimphoehe Crimp height mm	Crimpbreite Crimp width mm
5-1105300-1	AWG 12	*	*
5-1105301-1	AWG 12	*	*
7-1105300-2	AWG 10	*	*
7-1105301-2	AWG 10	*	*



\* Crimp data according to application specification 114-74013 (subject to technical modifications)  
 Crimpdaten nach Verarbeitungsspezifikation 114-74013 (Aenderungen vorbehalten)

Die Set packed in a cardboard with Instruction Sheet 411-18490  
 Matrice im Karton mit Bedienungsanleitung 411-18490 verpackt

Ersatzmatrice fuer Solarlok Handzange TE P/N 1579004-9  
 Spare die Set for Solarlok Hand Tool TE P/N 1579004-9

1	411-18490	Bedienungsanleitung Instruction Sheet	4
1	1-0519151-1	Schraube M4x16 Screw M4x16	3
1	1-0519151-0	Schraube M4x12 Screw M4x12	2
1	2-1579015-5	Kontaktpositionierer Contact Locator	1
QTY Stck	TE P/N	Description Benennung	Pos.

<small>THIS DRAWING IS A CONTROLLED DOCUMENT FOR TYCO ELECTRONICS CORPORATION                  IT IS SUBJECT TO CHANGE AND THE CONTROLLING ENGINEERING ORGANIZATION                  SHOULD BE CONTACTED FOR THE LATEST REVISION.</small>		DWN Ch.Witt	20FEB2008	Tyco Electronics AMP GmbH 64625 Bensheim (Germany)	
DIMENSIONS: mm 		CHK -	APVD -	NAME DIE SET FOR SOLARLOK HAND TOOL Matrice fuer Solarlok Handzange	
TOLERANCES UNLESS OTHERWISE SPECIFIED: 0 PLC ± 1 PLC ± 2 PLC ± 3 PLC ± 4 PLC ± ANGLES ±1°		PRODUCT SPEC -	APPLICATION SPEC -	SIZE A3	CAGE CODE 00779
MATERIAL -		FINISH -	WEIGHT 200 g	DRAWING NO C=6-1579001-7	RESTRICTED TO -
CUSTOMER DRAWING			SCALE 2:1	SHEET 1	OF 1
					REV D