

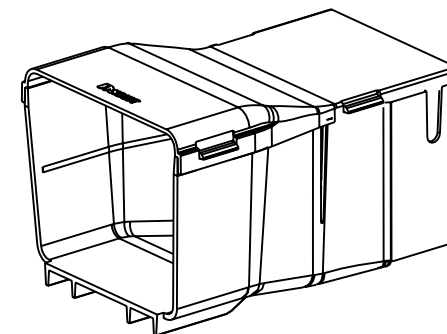
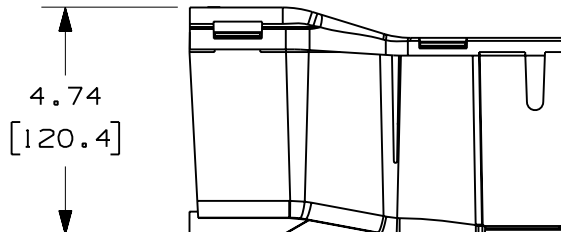
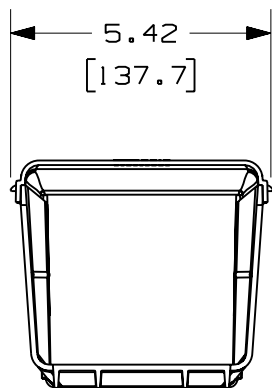
NOTES:

1. SEE CURRENT CATALOG FOR ADDITIONAL PART SUFFIXES TO INDICATE COLOR AND/OR PACKAGE QUANTITY.
2. DIMENSIONS IN PARENTHESES ARE IN METRIC.

PANDUIT PART NUMBER	WEIGHT
FRRF4FD4	0.58 LB/EACH (265g/EACH)



BASE
PART ROTATED 180° TO
SHOW FIBER-DUCT 4x4
MOUNTING LOCATIONS



ENG. REF.: D37847DF_DC_FRRF4FD4_01.prt

CAD FILENAME/LAYERS

FRRF4FD4.pdf

PANDUIT CORP TINLEY PARK, ILLINOIS
**FIBERRUNNER 4x4 TO FIBER-DUCT
 4x4 REDUCER (FRRF4FD4)**
 CUSTOMER DRAWING

UNLESS OTHERWISE SPECIFIED,
 DIMENSIONAL TOLERANCES ARE:
 (.X) ± (.XXX) ±
 (.XX) ± .03 (.8) ANGLES ±

UNLESS OTHERWISE SPECIFIED,
 ALL DIMENSIONS ARE GIVEN IN
 INCHES, THIRD ANGLE PROJECTION.

-	-----	---	---	D. REVISED PART WEIGHT	-----	--	---						
2	7-13-06	DTP	RN	C. REVISED CAD FILENAME B. REVISED AND REDRAWN	37847-73	RN	RN						
REV	DATE	BY	CHK	DESCRIPTION	ECN	R	CUST	SUP	GMBH				

DRAWN BY: JHNU
 DATE: 7-19-01
 CHK'D: DJWA

MAT'L: ABS

SCALE: NONE
 DRAWING NO.: 37847-73
 DWG SIZE: A