



25dBm DWDM EDFA Module

Jabil Photonics DWDM EDFA product is designed for the DWDM system which has excellent optical performance with special optical design. It supports APC (Automatic Power Control), AGC (Auto Gain Control). The high stability and high precision MPU system to ensure the control, adjustment and monitor are intelligent and easy. Professional designed GFF (Gain Flattening Filter) and excellent optical design, ensure the best flatness and noise figure.

Features

- Low noise figure: less than 5.5 dB at 0dBm input
- Flatness: Typical 1dB, max 1.5dB
- Full C-Band coverage: 40-96 channels
- High stability and reliability: MTBF > 100000 hours
- Perfect status monitoring interface: RS-485 and RS-232
- High precision AGC/APC circuit: power control accuracy type $\pm 0.1\text{dB}$
- Low power consumption
- Compatible with Telcordia GR-1312-CORE



Applications

- DWDM/CATV/SDH
- Data center

Environmental Specifications

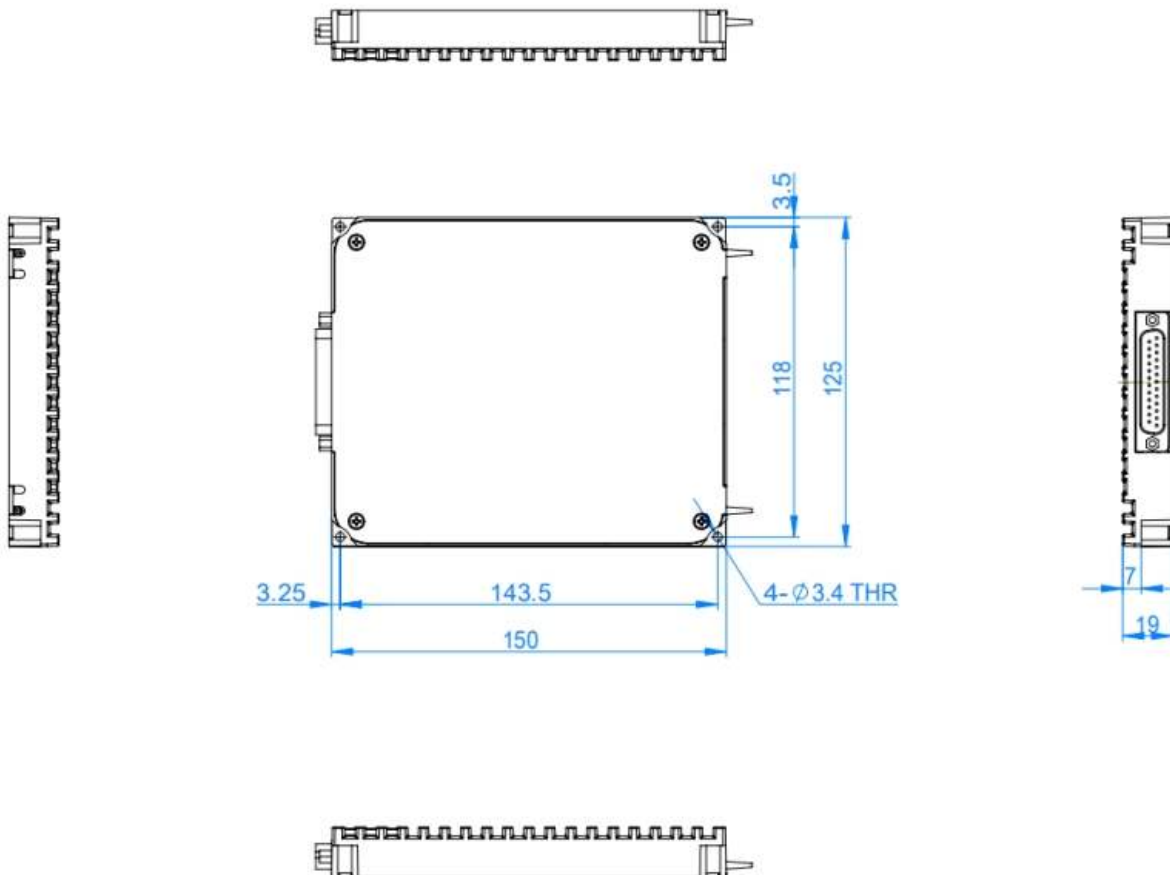
Parameter	Min.	Typ.	Max.	Unit
Operation Temperature	0	25	+55	°C
Storage Temperature	-40	-----	+85	°C
Operation Humidity*	10	-----	85	%
Storage Humidity	5	-----	95	%

(*) not condensing



Operating Specifications

Parameter	Min.	Typ.	Max.	Unit
Supply Voltage		5		V
Power Dissipation		18		W



Optical Specifications

Parameter	Min.	Typ.	Max.	Unit
Wavelength	1529		1561	nm
Input Power	-20		0	dBm
Output Power			25	dBm
Output Power Variation	-0.5		0.5	dB
Gain		25		dB
Gain Flatness (peak to peak)		1.0	1.5	dB
Noise Figure			5.5	dB
Pump Leak @ Input/Output Port			-30	dBm
Isolation @ Input/Output Port	30			dB
PMD			0.5	ps
PDG			0.5	dB
Return Loss	40			dB
Input Pigtail (LC/UPC) (*)	-1	100	1	cm
Output Pigtail (LC/UPC) (*)	-1	100	1	cm

(*) Length defined from module box edge to LC/UPC end-face.

Ordering information

Jabil Part Number	Package	Gain	Output Power	Other info
JP-EDFA-HGAIN-2525	CFP2	25 dB	25dBm	

Contact information

For additional information and evaluation samples order, please contact:

Chuck Sinha, Sr. Director of Sales

Jabil Photonics

5960 Inglewood Dr. Suite 100, Pleasanton, CA

Mobile: 408-505-0955

Email: Chuck_Sinha@Jabil.com