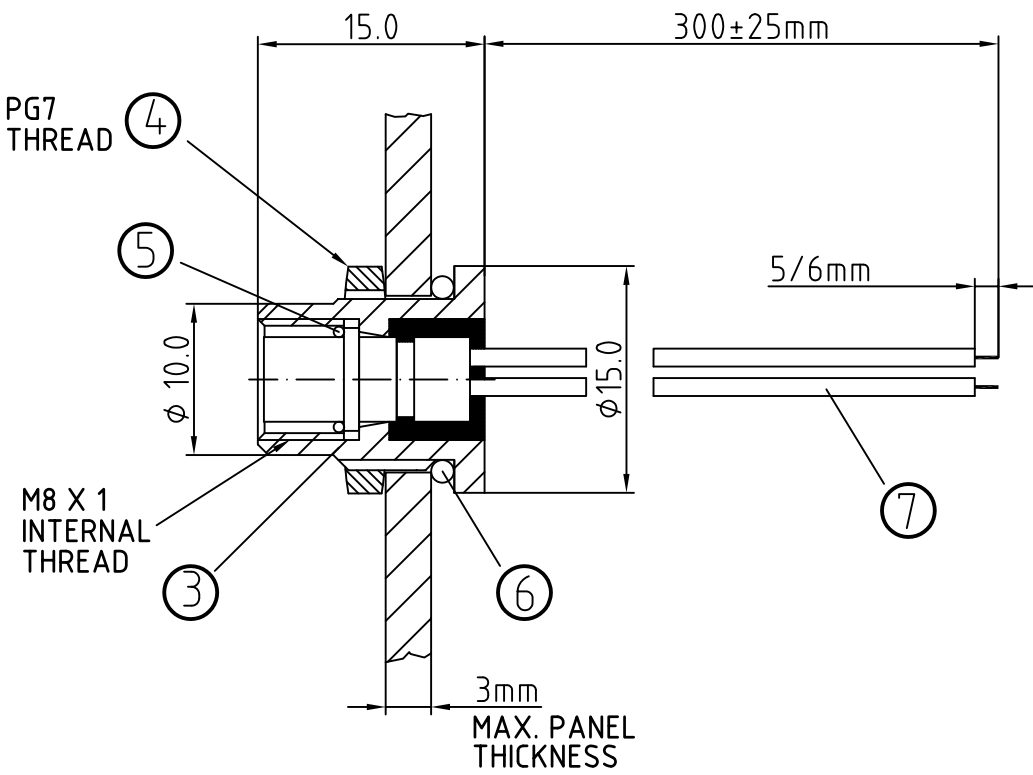
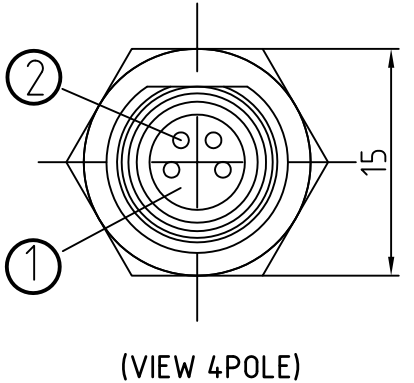
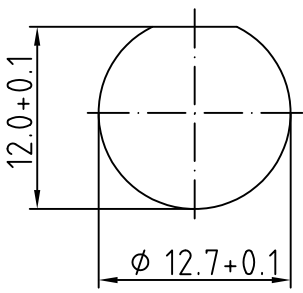




FEMALE FACE VIEW			
4 POLE		5 POLE	
Pin No.	Wire	Pin No.	Wire
1	Brown	1	Brown
2	White	2	White
3	Blue	3	Blue
4	Black	4	Black
		5	Grey



PANEL CUT OUT



POLE	MATERIAL NUMBER	ENGINEERING NUMBER
4	1200310022	4R4H40E02C3003
5	1200310050	4R5H40E02C3003

CONNECTOR SPECIFICATION:	
VOLTAGE RATING	3-4POL:60V/AC 75V/DC 5POL:30V/AC 36V/DC
AMPERAGE RATING	3 AMPS
PROTECTION	IP68
OPERATING TEMPERATURE	-25°C TO +90°C

ITEM	COMPONENT	MATERIAL	FINISH
1	INSERT	POLYURETHANE (PUR)	BLACK
2	CONTACT SOCKET	COPPER ALLOY	GOLD OVER NICKEL
3	SHELL	BRASS	NICKEL PLATED
4	LOCKNUT	BRASS	NICKEL PLATED
5	O-RING	FPM	RED
6	O-RING	VITON	BLACK
7	COPPER STRANDING AWG24/0.25mm <sup>2</sup>	JACKET: PVC	

DESCRIPTION EC NO.: WEU2010-0338 DRWN: REISSNER 2010/02/15 CH'KD: RE APPR: FPACHER 2010/02/24	QUALITY SYMBOLS	GENERAL TOLERANCES (UNLESS SPECIFIED)	DIMENSION STYLE	SCALE	DESIGN UNITS	THIRD ANGLE PROJECTION
	▼ = 0 ∇ = 0	mm    INCH 4 PLACES ±--- ±--- 3 PLACES ±--- ±--- 2 PLACES ±--- ±--- 1 PLACE ±0.1 ±--- ANGULAR ± --- °	MM	2:1	METRIC	
	DRAFT WHERE APPLICABLE MUST REMAIN WITHIN DIMENSIONS	SEE TABLE	DRAWN BY DATE REISSNER 2010/02/15 CHECKED BY DATE FP 2010/02/15 APPROVED BY DATE FPACHER 2010/02/19	NC-XP-FE-REC-PG7-0.3M- AWG24-PVC BACK MOUNT		
	1	SIZE A3	THIS DRAWING CONTAINS INFORMATION THAT IS PROPRIETARY TO MOLEX INCORPORATED AND SHOULD NOT BE USED WITHOUT WRITTEN PERMISSION		MOLEX INCORPORATED DOCUMENT NO. SD-120090-026 SHEET NO. 1 OF 1	