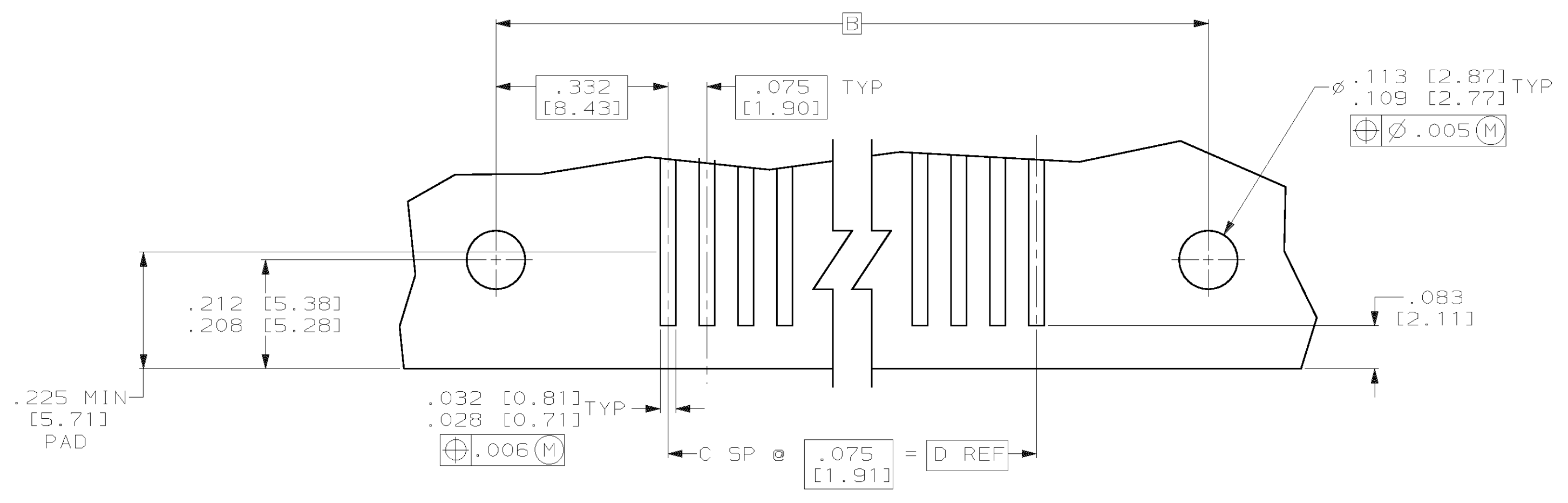


LOC		DIST		P		F		ZONE		LTR		REVISIONS		DATE	APPD		
DF	FO												DESCRIPTION				
													K	REV PER 0630-0437-02	CT	3-03	DM



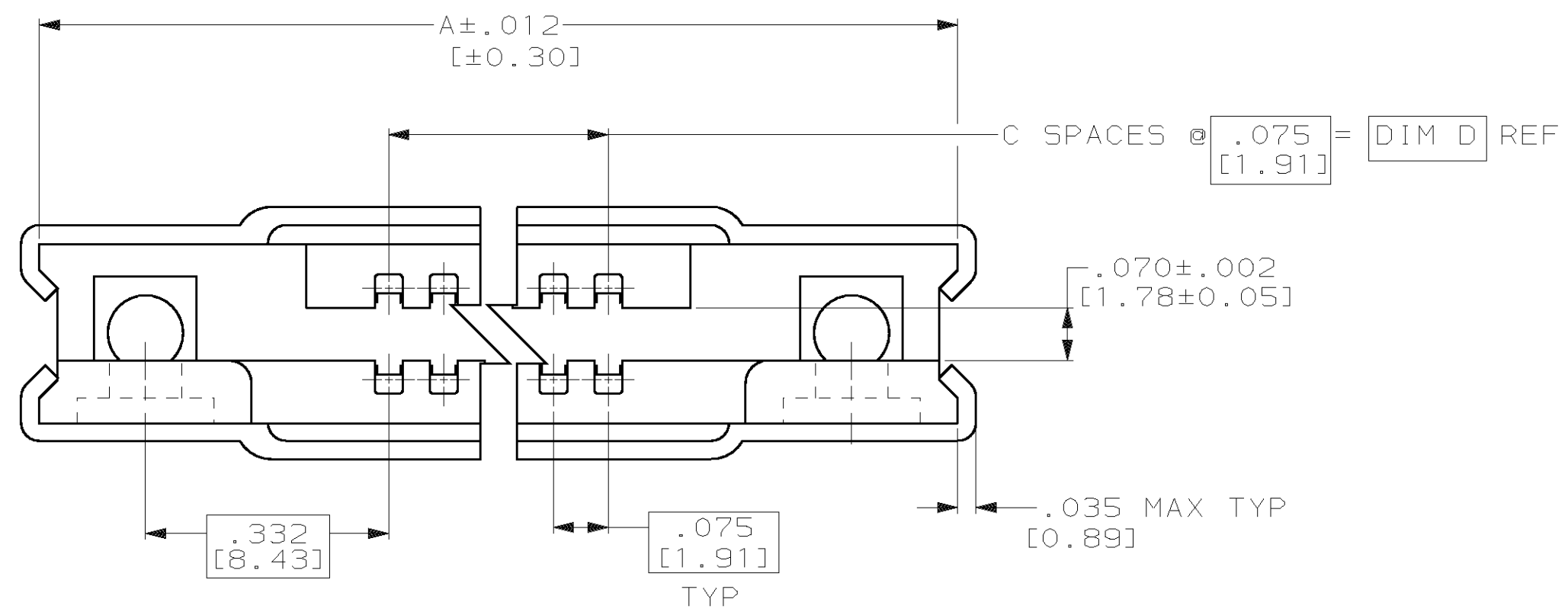
RECOMMENDED P.C. BOARD LAYOUT

MARKING	CUSTOMER PART NO.	CAVITY IDENT	E	D	C	B	A	NUMBER OF POSITIONS	PART NUMBER
△2 △3 △4	23524/23-08	41 - 1	3.200 [81.28]	2.925 [74.30]	39	3.590 [91.19]	3.880 [98.55]	80	1-583697-9
△2 △3 △4	23524/23-07	36 - 1	2.825 [71.76]	2.550 [64.77]	34	3.215 [81.66]	3.505 [89.03]	70	1-583697-8
△2 △3 △4	23524/23-06	31 - 1	2.450 [62.23]	2.175 [55.25]	29	2.840 [72.14]	3.130 [79.50]	60	1-583697-7
△2 △3 △4	23524/23-05	26 - 1	2.075 [52.71]	1.800 [45.72]	24	2.465 [62.61]	2.755 [69.98]	50	1-583697-6
OBSOLETE △1 △3 △4	-	91 - 1	6.950 [176.53]	6.675 [169.55]	89	7.340 [186.44]	7.630 [193.80]	180	1-583697-5
OBSOLETE △1 △3 △4	-	81 - 1	6.200 [157.48]	5.925 [150.50]	79	6.590 [167.38]	6.880 [174.75]	160	1-583697-4
OBSOLETE △1 △3 △4	-	76 - 1	5.825 [147.96]	5.550 [140.97]	74	6.215 [157.86]	6.505 [165.23]	150	1-583697-3
OBSOLETE △1 △3 △4	-	61 - 1	4.700 [119.38]	4.425 [112.40]	59	5.090 [129.29]	5.380 [136.65]	120	1-583697-2
OBSOLETE △1 △3 △4	-	56 - 1	4.325 [109.86]	4.050 [102.87]	54	4.715 [119.76]	5.005 [127.13]	110	1-583697-1
△1 △3 △4	-	51 - 1	3.950 [100.33]	3.675 [93.35]	49	4.340 [110.24]	4.630 [117.60]	100	1-583697-0
OBSOLETE △1 △3 △4	-	46 - 1	3.575 [90.81]	3.300 [83.82]	44	3.965 [100.71]	4.255 [108.08]	90	583697-9
OBSOLETE △1 △3 △4	-	41 - 1	3.200 [81.28]	2.925 [74.30]	39	3.590 [91.19]	3.880 [98.55]	80	583697-8
OBSOLETE △1 △3 △4	-	36 - 1	2.825 [71.76]	2.550 [64.77]	34	3.215 [81.66]	3.505 [89.03]	70	583697-7
OBSOLETE △1 △3 △4	-	31 - 1	2.450 [62.23]	2.175 [55.25]	29	2.840 [72.14]	3.130 [79.50]	60	583697-6
OBSOLETE △1 △3 △4	-	26 - 1	2.075 [52.71]	1.800 [45.72]	24	2.465 [62.61]	2.755 [69.98]	50	583697-5
OBSOLETE △1 △3 △4	-	21 - 1	1.700 [43.18]	1.425 [36.20]	19	2.090 [53.09]	2.380 [60.45]	40	583697-4
OBSOLETE △1 △3 △4	-	16 - 1	1.325 [33.66]	1.050 [26.67]	14	1.715 [43.56]	2.005 [50.93]	30	583697-3
OBSOLETE △1 △3 △4	-	11 - 1	.950 [24.13]	.675 [17.15]	9	1.340 [34.04]	1.630 [41.40]	20	583697-2
OBSOLETE △1 △4	-	6 - 1	.575 [14.61]	.300 [7.62]	4	.965 [24.51]	1.255 [31.88]	10	583697-1

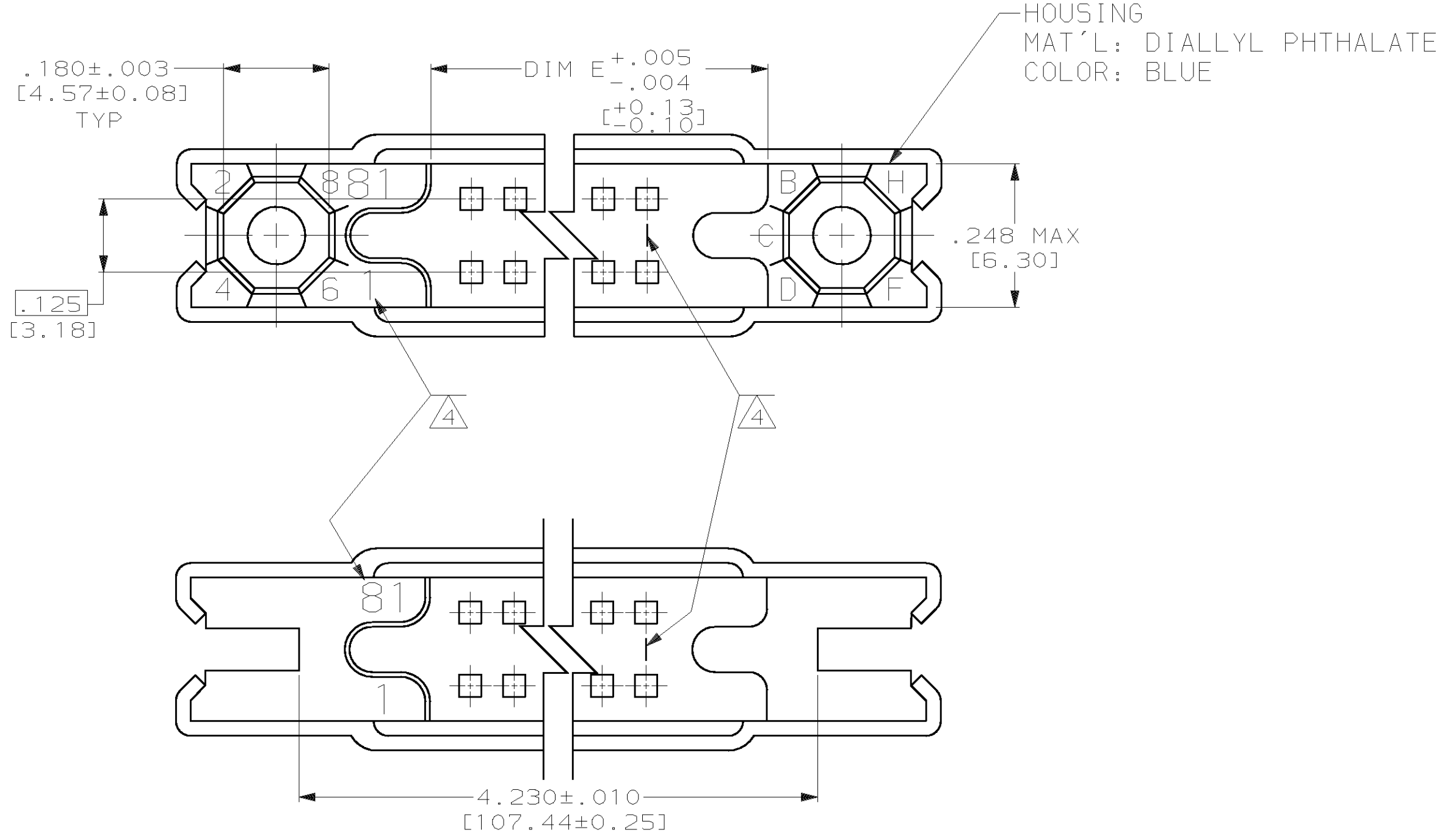
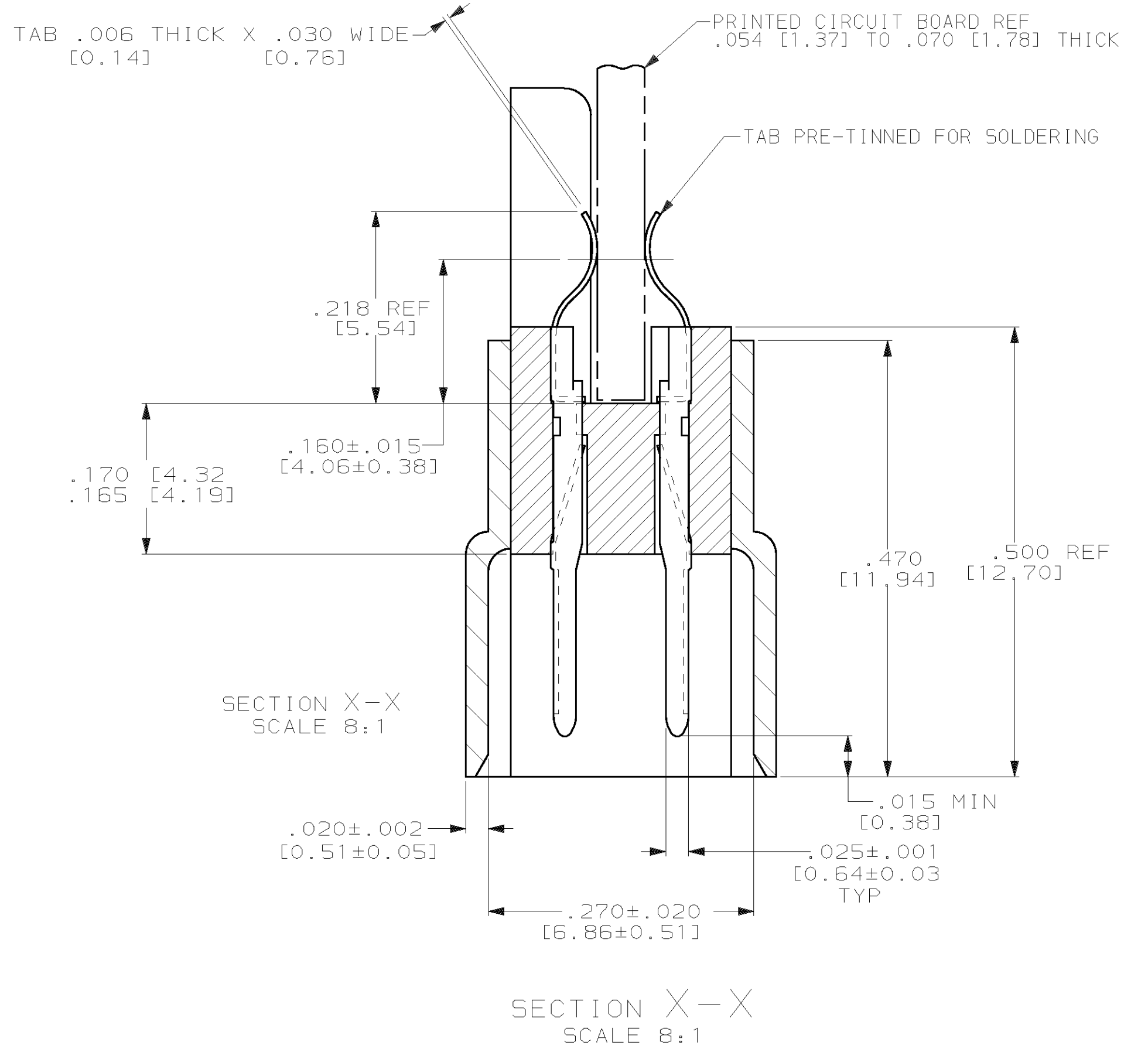
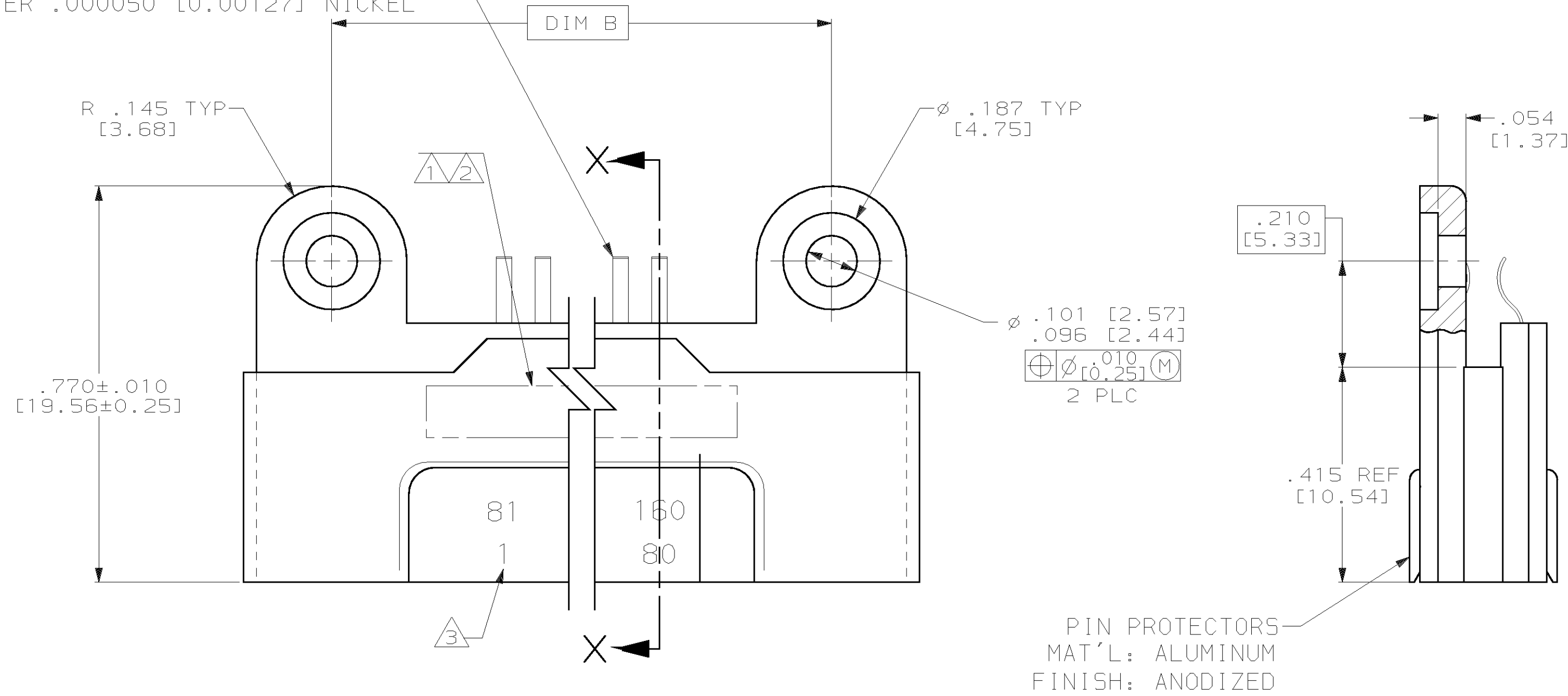
- △1 00779, DATE CODE, AMP PART NO. AND AMP MARKED IN THIS AREA.
- △2 CUSTOMER PART NO., AMP, DATE CODE AND AMP PART NO. MARKED IN THIS AREA.
- △3 CAVITY IDENT. NUMBERS INDICATING EVERY 5 CAVITIES MARKED ON PIN PROTECTOR SURFACE. (EXCEPT FOR 10 POSN.)
- △4 CAVITY IDENT NUMBERS (SEE TABLE) AND LINES INDICATING EVERY 5 CAVITIES MARKED AS SHOWN.
- 5. MEETS ALL APPLICABLE REQUIREMENTS OF MIL-C-55302.

DR 5-12-97 C.C.THOMAS	<b>AMP</b> AMP Incorporated Harrisburg, PA 17105-3608
CHK 6-17-97 D.MILLER	
APPD 6-17-97 D.MILLER	NAME PIN HEADER ASSEMBLY, .075Ø BOX WITH PIN PROTECTORS
RLSE 6-17-97 C.C.THOMAS	PRODUCT SPEC -
APPLICATION SPEC -	SIZE D 00779
WEIGHT -	CAGE CODE 583697
	DRAWING NO. 583697
	SCALE 5:1
	SHEET 1 OF 2

LOC		DIST		P		F		ZONE		LTR		REVISIONS			
DF	FO											DESCRIPTION	DATE	APPD	
												K	SEE SHEET #1	-	-



CONTACT TYP  
 MAT'L: BRASS  
 FINISH: .000050 [0.00127] MIN GOLD  
 OVER .000050 [0.00127] NICKEL



VIEW FOR 1-583697-0 ONLY

DO NOT SCALE PRINT. UNLESS SPECIFIED DIMENSIONS IN INCHES [mm] TOLERANCES ON: 2 PLC DEC ± .005 [0.13] ANGLES ±	DR 5-12-97 C.C. THOMAS	AMP Incorporated Harrisburg, PA 17105-3608
	CHK 6-17-97 D. MILLER	
MATERIAL	APPD 6-17-97 D. MILLER	NAME PIN HEADER ASSEMBLY, .075 $\varnothing$ BOX WITH PIN PROTECTORS
	RLSE 6-17-97 C.C. THOMAS	
FINISH	PRODUCT SPEC	SIZE D 00779
	APPLICATION SPEC	
WEIGHT		DRAWING NO. 583697
		SCALE 5:1
		SHEET 2 OF 2