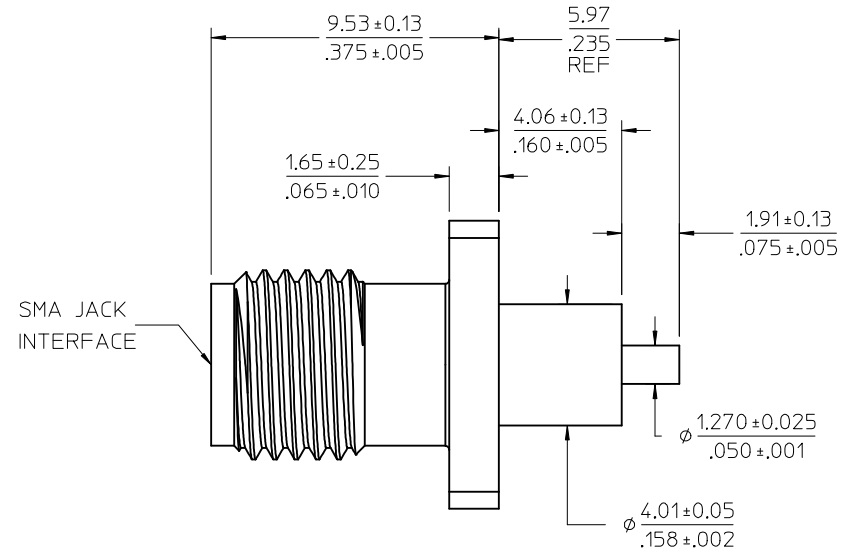
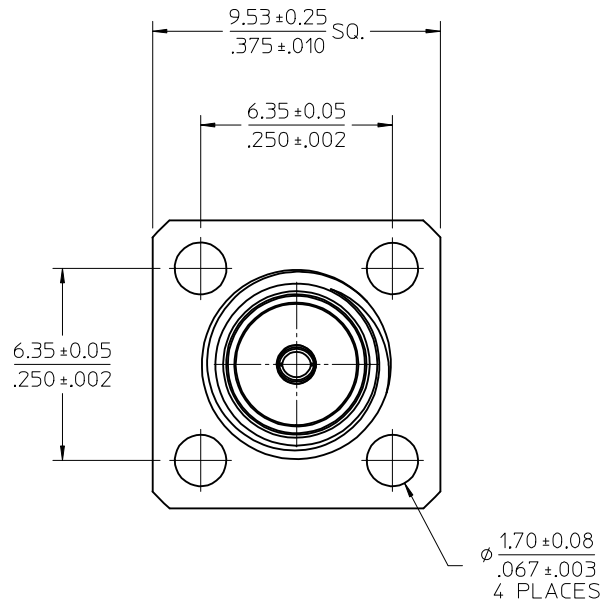
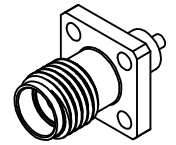


MATERIALS AND FINISHES:

BODY: BRASS  
PLATED GOLD

CENTER CONTACT: BERYLLIUM COPPER  
PLATED GOLD

INSULATOR: TEFLON



PART # 73251-3890

MIL-STD-348A, FIG. 310.2	INTERFACE
SPECIFICATION	DESCRIPTION

CHG: UPDATE VIEW ADD .075*.005 WAS .235*.005 EC NO: URF2014-0004 DRWN:JIENER 2013/07/01 CHKD:SSS 2013/07/01 APPR:JIENER 2013/07/01	DESCRIPTION
	REV: A1

QUALITY SYMBOLS ▽=0 ▽=0	GENERAL TOLERANCES (UNLESS SPECIFIED)														
	<table border="1"> <thead> <tr> <th></th> <th>mm</th> <th>INCH</th> </tr> </thead> <tbody> <tr> <td>4 PLACES</td> <td>± .010</td> <td>± .0004</td> </tr> <tr> <td>3 PLACES</td> <td>± .015</td> <td>± .0006</td> </tr> <tr> <td>2 PLACES</td> <td>± .020</td> <td>± .0008</td> </tr> <tr> <td>1 PLACE</td> <td>± .030</td> <td>± .0012</td> </tr> </tbody> </table>		mm	INCH	4 PLACES	± .010	± .0004	3 PLACES	± .015	± .0006	2 PLACES	± .020	± .0008	1 PLACE	± .030
	mm	INCH													
4 PLACES	± .010	± .0004													
3 PLACES	± .015	± .0006													
2 PLACES	± .020	± .0008													
1 PLACE	± .030	± .0012													
	ANGULAR ± 2 °														
	DRAFT WHERE APPLICABLE MUST REMAIN WITHIN DIMENSIONS														

DIMENSION STYLE MM/IN	
DRAWN BY JYL	DATE 2009/07/22
CHECKED BY SSS	DATE 2009/07/22
APPROVED BY JDW	DATE 2009/07/22
MATERIAL NO. 732513890	
SIZE C	THIS DRAWING CONTAINS INFORMATION THAT IS PROPRIETARY TO MOLEX INCORPORATED AND SHOULD NOT BE USED WITHOUT WRITTEN PERMISSION

SCALE	DESIGN UNITS METRIC	THIRD ANGLE PROJECTION
TITLE SMA JACK, 4 HOLE FLANGE 50 OHMS, CANDLE STICK EWR-4152 SMA-JR		
MOLEX MOLEX INCORPORATED		SHEET NO. 1 OF 1
DOCUMENT NO. SD-73251-389		