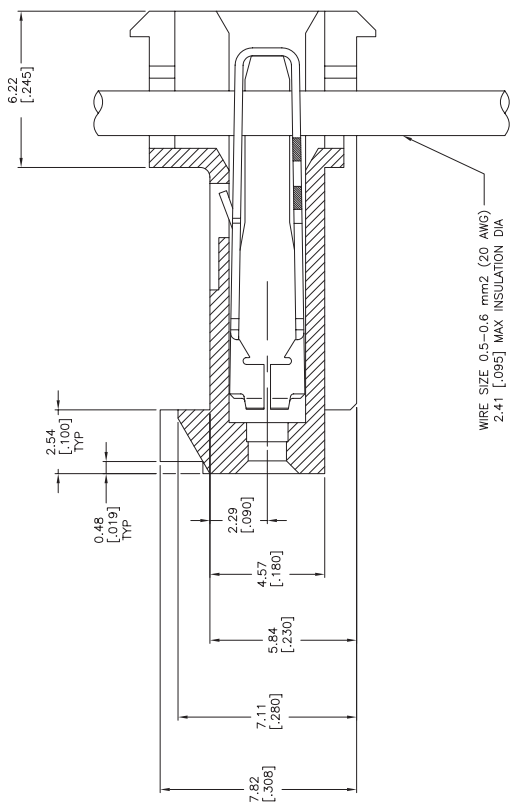
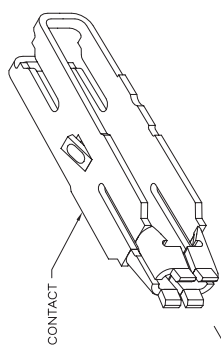
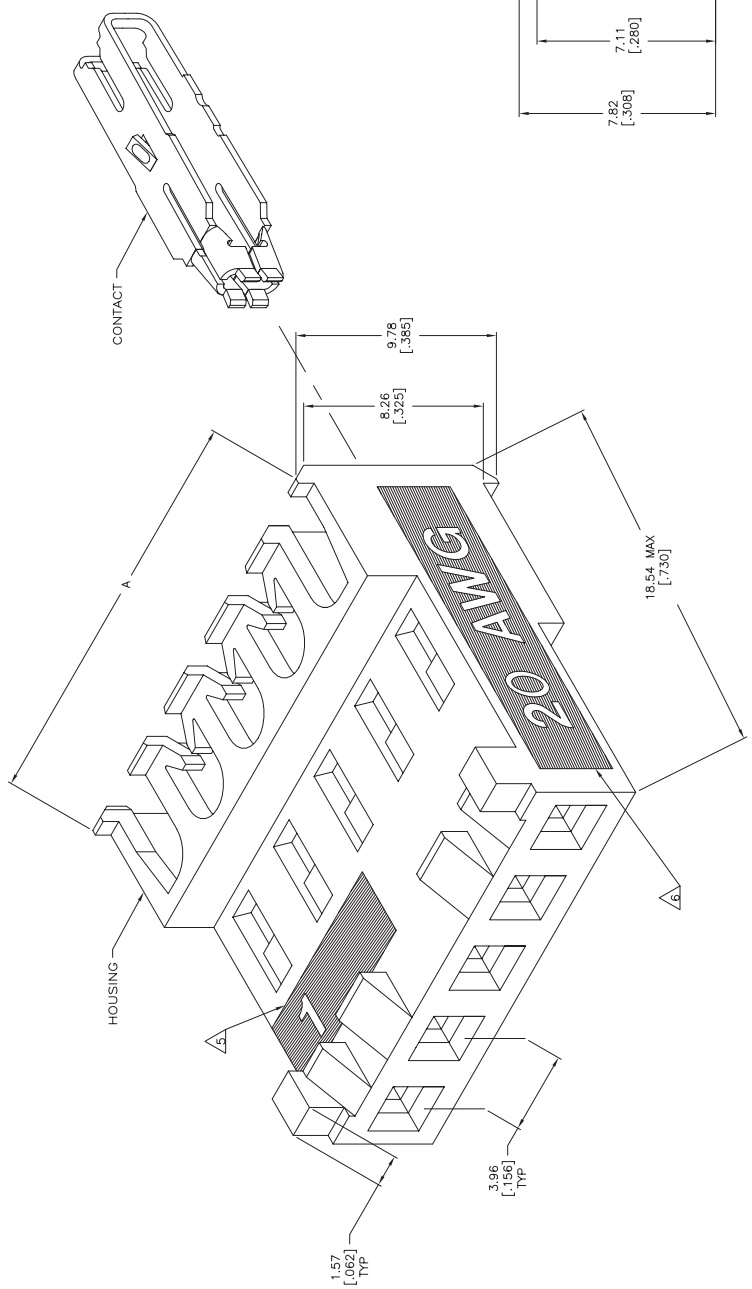


- OPERATING TEMPERATURE: -55°C TO 105°C.
- MATERIAL: HOUSING, NYLON 6/6, UL 94V-0, BLACK CONTACT, 0.30 [.012] THICK COPPER ALLOY
- FINISH: BRIGHT TIN-LEAD PLATE 0.00203-0.00508 [.000080-.000200"] THICK OR MATTE WHISKER MITIGATED TIN 0.00203 [.000080] MIN THICKNESS OVER NICKEL UNDERPLATE.
- LUBRICATED WITH AMP ANTI-FRETTING LUBRICANT.
- IDENTIFICATION NUMBER FOR FIRST CIRCUIT.
- WIRE GAUGE IDENTIFICATION
- DIMENSIONS IN BRACKETS ARE IN INCHES.
- CONTACT MUST ACCEPT 1.14±0.03 [.045±.001] SQUARE POST AND REMAINED LOCKED IN POSITION.



TIN	47.55±0.30	[1.872±.012]	12	4-644388-2	NO OF CKTS	PART NO
TIN	43.59±0.30	[1.716±.012]	11	4-644388-1		
TIN	39.62±0.30	[1.560±.012]	10	4-644388-0		
TIN	35.66±0.30	[1.404±.012]	9	3-644388-9		
TIN	31.70±0.30	[1.248±.012]	8	3-644388-8		
TIN	27.74±0.30	[1.092±.012]	7	3-644388-7		
TIN	23.77±0.30	[.936±.012]	6	3-644388-6		
TIN	19.81±0.30	[.780±.012]	5	3-644388-5		
TIN	15.85±0.15	[.624±.006]	4	3-644388-4		
TIN	11.89±0.15	[.468±.006]	3	3-644388-3		
TIN	7.92±0.15	[.312±.006]	2	3-644388-2		
FINISH			A			

TIN	47.55±0.30	[1.872±.012]	12	4-644388-2	NO OF CKTS	PART NO
TIN	43.59±0.30	[1.716±.012]	11	4-644388-1		
TIN	39.62±0.30	[1.560±.012]	10	4-644388-0		
TIN	35.66±0.30	[1.404±.012]	9	3-644388-9		
TIN	31.70±0.30	[1.248±.012]	8	3-644388-8		
TIN	27.74±0.30	[1.092±.012]	7	3-644388-7		
TIN	23.77±0.30	[.936±.012]	6	3-644388-6		
TIN	19.81±0.30	[.780±.012]	5	3-644388-5		
TIN	15.85±0.15	[.624±.006]	4	3-644388-4		
TIN	11.89±0.15	[.468±.006]	3	3-644388-3		
TIN	7.92±0.15	[.312±.006]	2	3-644388-2		
FINISH			A			

THIS DRAWING IS A CONTROLLED DOCUMENT.

DESIGNED BY: G. MARTIN
 DRAWN BY: R. SHINN
 CHECKED BY: J. MILLER
 APPROVED BY: J. MILLER

DATE: 11-14-1048

SIZE: 114-1048

REVISED TO: A1 00779

CUSTOMER DRAWING

TYPE ELECTRONICS CORPORATION
 HARRISBURG, PA 17105-3605

MFA-156 CONNECTOR ASSEMBLY, QUAD, 20 AWG, FEED THRU, WITH LOCKING RAMP.

REVISIONS TO: POLARIZING TAB

REVISED TO: A1 00779

CUSTOMER DRAWING

