

THIS DRAWING IS UNPUBLISHED.
 VERTRÄGLICHE UNVERÖFFENTLICHTE ZEICHNUNG
 © COPYRIGHT 2014 Tyco Electronics AMP GmbH
 RELEASED FOR PUBLICATION
 FREI FÜR VERÖFFENTLICHUNG
 2014
 ALL RIGHTS RESERVED.
 ALLE RECHTE VORBEHALTEN.
 DATED WITH
 PASSEND ZU

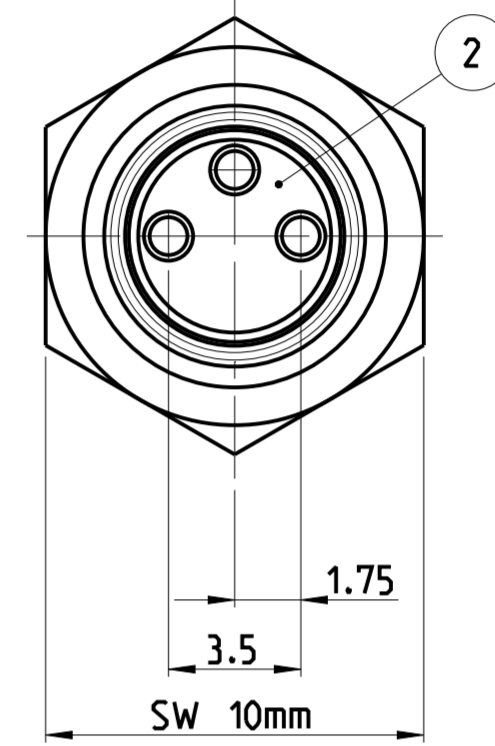
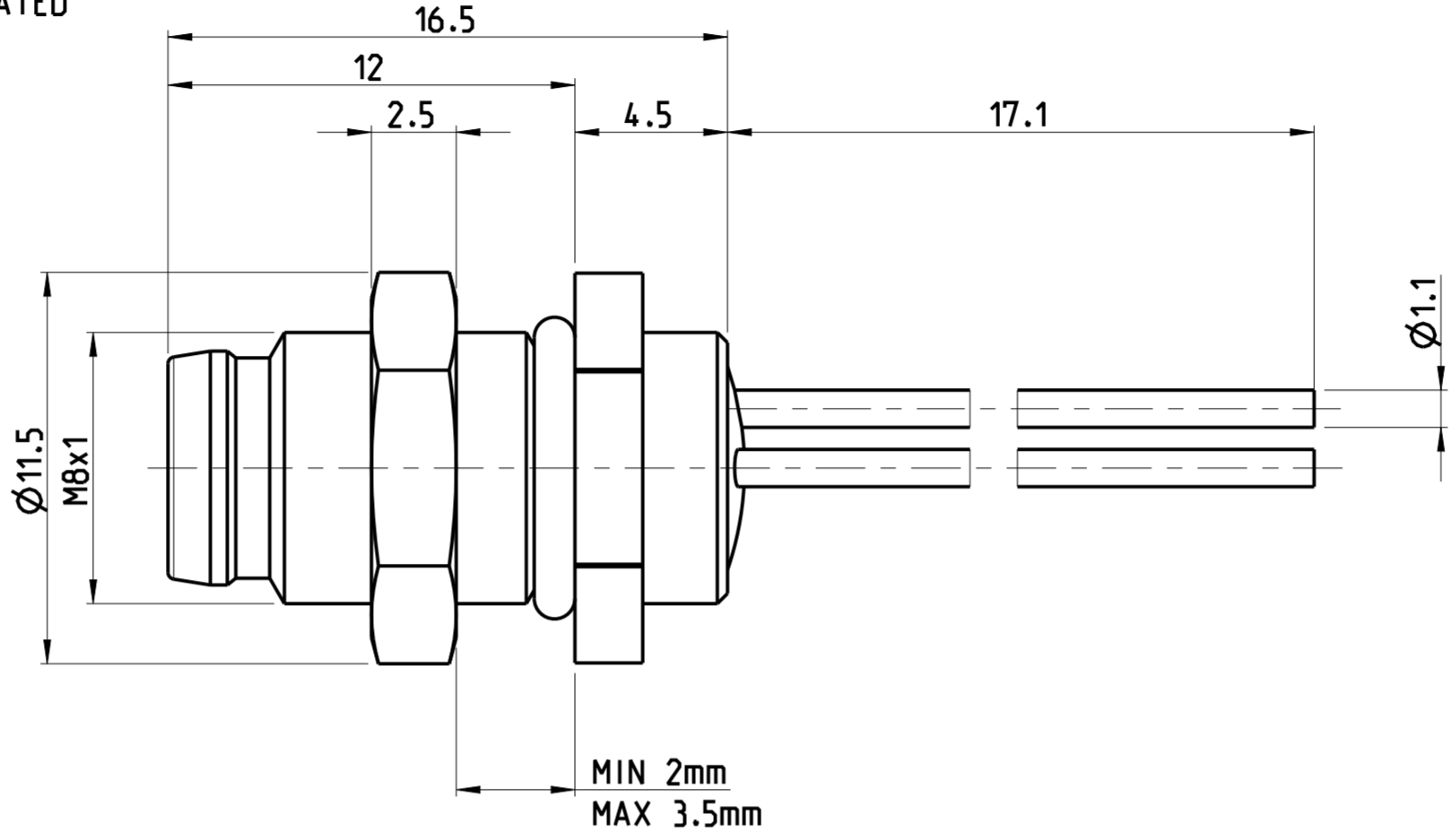
PROJECT NO.:
 PRJ-11-000004377

| REVISIONS | | DATE | DWN | APVD |
|-----------|-------------|-----------|-----|------|
| NO. | DESCRIPTION | | | |
| A | NEW RELEASE | 04DEC2014 | TJ | PS |

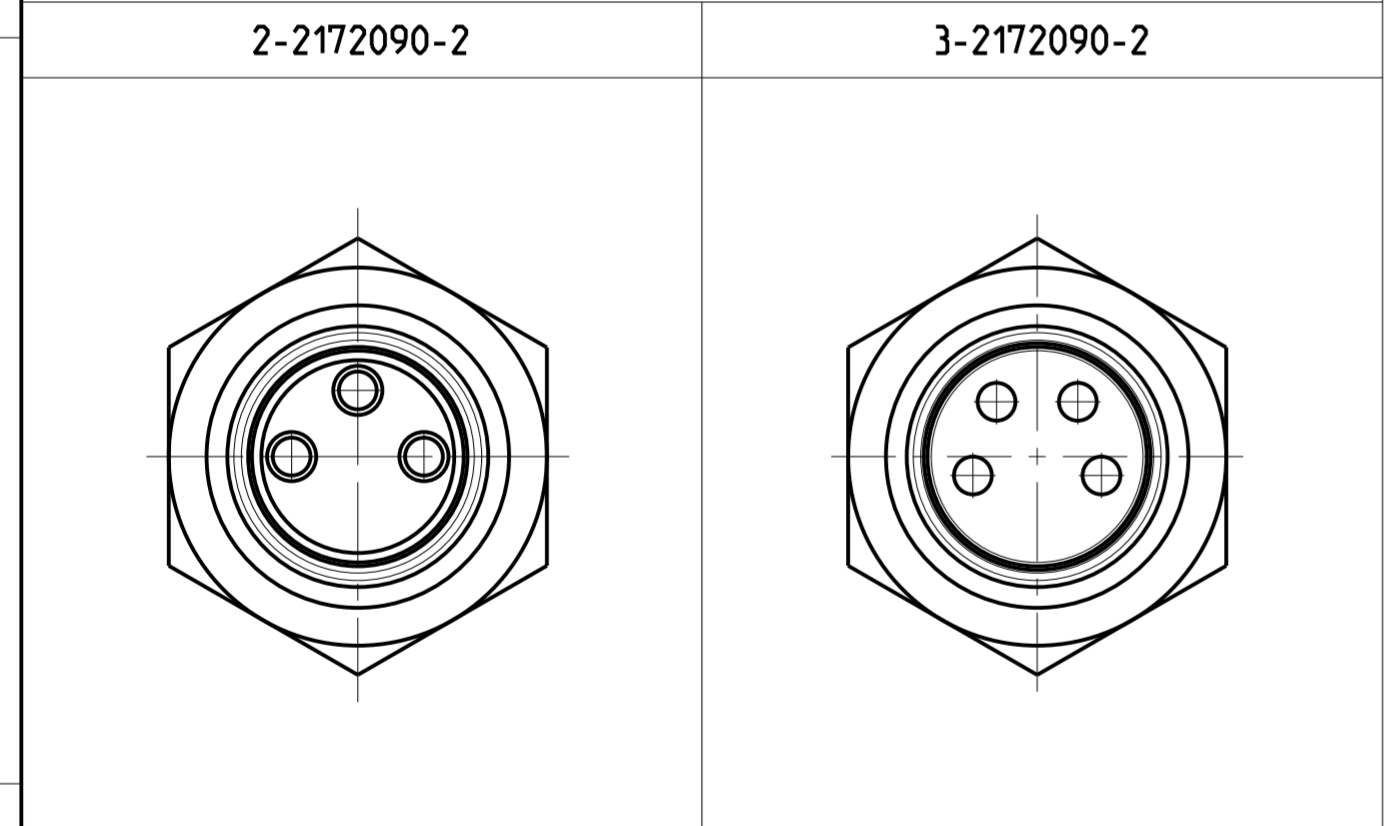
NOTES:
 1 MATERIAL: ITEM NO. 1: HOUSING - CuZn (BRASS NICKEL PLATED)
 ITEM NO. 2: CONTACT BODY - PA
 ITEM NO. 3: CONTACT - CuZn (BRASS)
 CONTACT FINISH - Au (GOLD)

2 ALL DIMENSIONS ARE FOR NOMINAL REFERENCE ONLY UNLESS OTHERWISE STATED

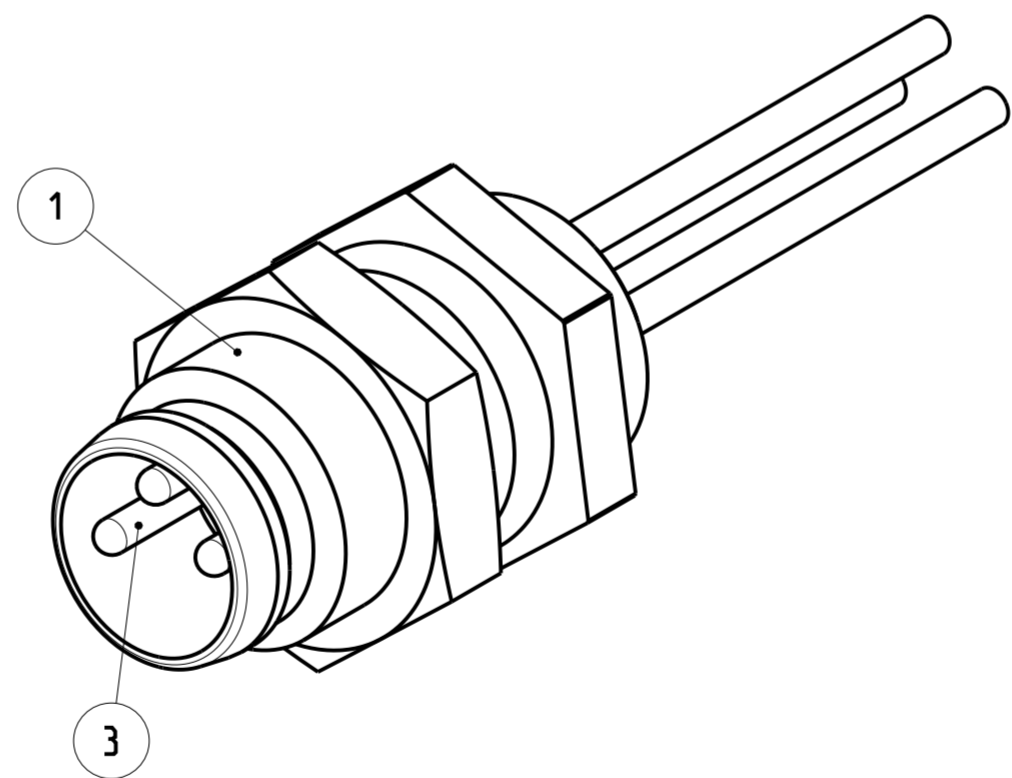
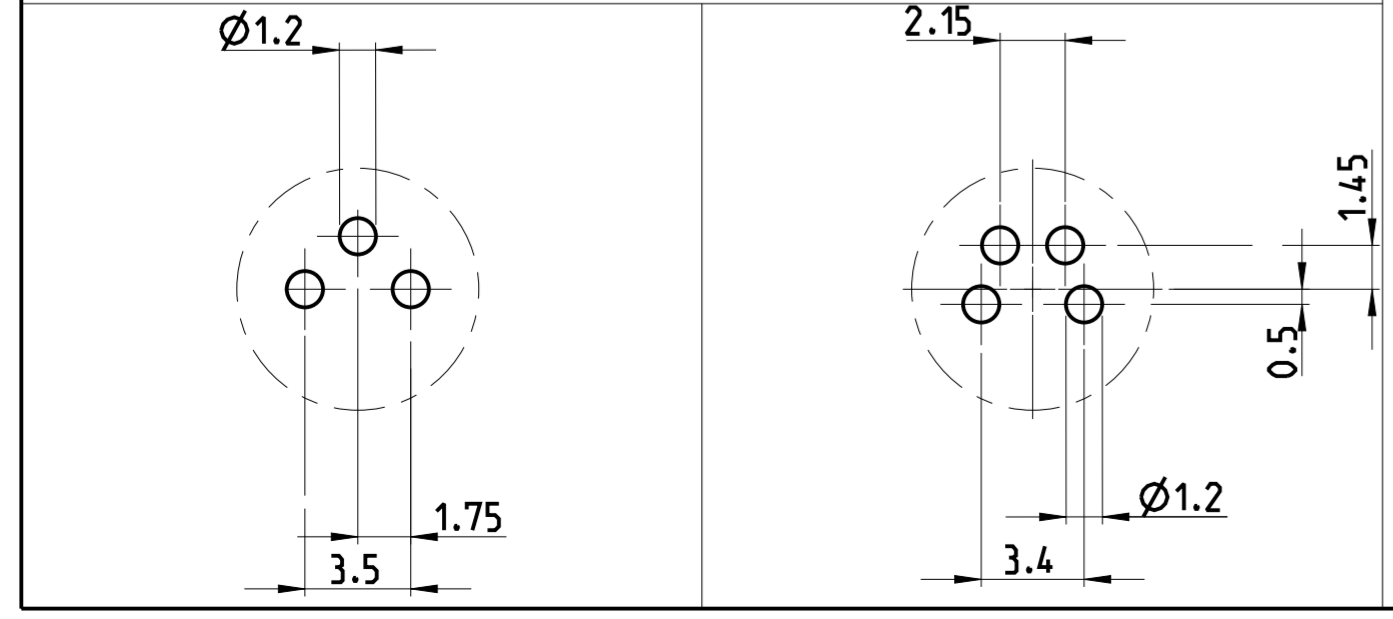
| TECHNICAL DATA | 2-2172090-2 | 3-2172090-2 |
|-----------------------|-------------|-------------|
| RATED VOLTAGE | 60V | 30V |
| RATED IMPULSE VOLTAGE | 800V | 800V |
| POLLUTION DEGREE | 3 | 3 |
| OVERVOLTAGE CATEGORY | II | II |
| MATERIAL GROUP | II | II |
| RATED CURRENT | 4A | 4A |
| VOLUME RESISTIVITY | ≤ 3mΩ | ≤ 3mΩ |
| DEGREE OF PROTECTION | IP67 | IP67 |
| UPPER TEMPERATURE | +85 °C | +85 °C |
| LOWER TEMPERATURE | -40 °C | +40 °C |



PIN ARRANGEMENT



CONDUCTOR LAYOUT



SIZE ISO 14405 (E)

DIESE ZEICHNUNG IST EIN KONTROLLIERTES DOKUMENT.
 BEMASSUNGEN UND TOLERANZEN GEMAESS GPS (ISO STANDARDS).

THIS DRAWING IS A CONTROLLED DOCUMENT.
 DIMENSIONING AND TOLERANCING PER GPS (ISO STANDARDS).

| | | |
|--------------------------------------|--|--|
| DIMENSIONS: MASSE/MASSEN: [mm] | TOLERANCES UNLESS OTHERWISE SPECIFIED: ALLGEMEINTOLERANZEN | DWN YASHKUMAR 13SEP2014 |
| | | CHK M. BRUBAKER 13SEP2014 |
| | | APVD M. BRUBAKER 13SEP2014 |
| | | NAME M8 RECEPTACLE, MALE, PANEL REAR MOUNT, WIRE |
| | | PRODUCT SPEC 108-19483 |
| | | APPLICATION SPEC 114-32127 |
| MATERIAL | FINISH/OBERFLÄCHE/FARBE | WEIGHT GEWICHT |
| SEE NOTES | SEE NOTES | - |

Customer Drawing

| | | |
|----------|-----------------|-------------|
| ⚠ | 4 | 3-2172090-2 |
| ⚠ | 3 | 2-2172090-2 |
| MATERIAL | NUMBER OF POLES | TE-PART-NO. |



| | | | |
|-------------------|----------------|-------------------------------|--------------------------|
| SIZE | CAGE CODE | DRAWING NO. ZEICHNUNGS-NR. | RESTRICTED TO NUR FÜR |
| A2 | 00779 | C-2172090 | - |
| SCALE MASSSTAB | SHEET BLATT | OF VON | REV |
| 4:1 | 1 | 1 | A |