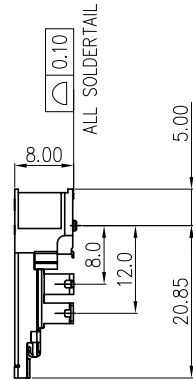
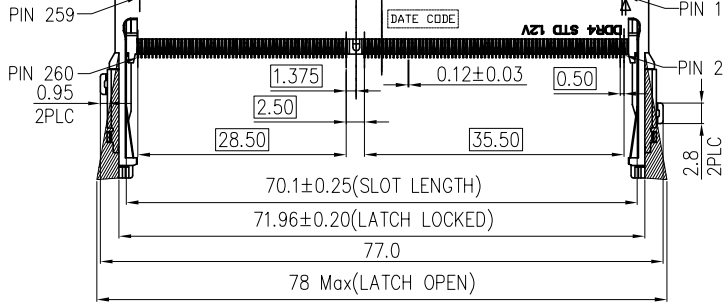


HF

Halogen Free



NOTES:

1. MATERIAL:

- 1.1 HOUSING: LCP, UL94V-0, COLOR: BLACK.
- 1.2 CONTACT: PHOSPHOR BRONZE.
- 1.3 SOLDER PEG AND LATCH: STAINLESS STEEL.

2. FINISH:

- 2.1 CONTACT: 50u" MIN NICKEL UNDERPLATED ALL OVER.
GOLD FLASH PLATING ON SOLDER TAIL.
GOLD PLATING (THICKNESS SEE TABLE) ON CONTACT AREA.
- 2.2 SOLDER PEG:
50u" MIN NICKEL UNDERPLATED ALL OVER.
AU 2u" MAX ON SOLDER TAIL.

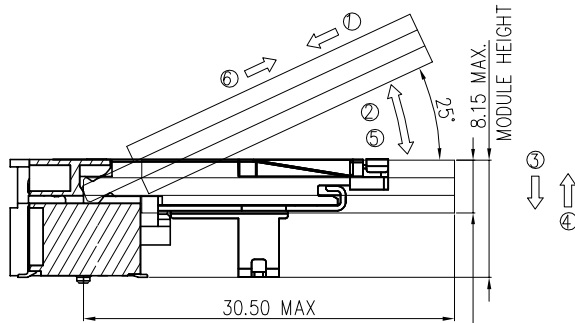
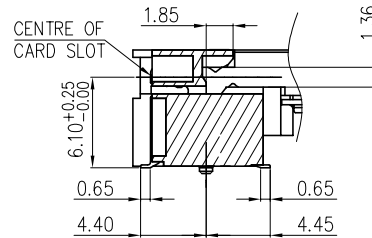
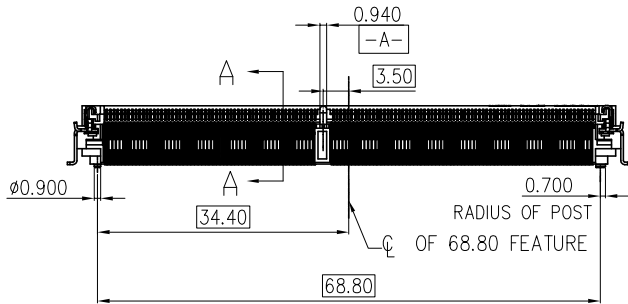
3. DATE CODE : FYYWDLX

- YY: YEAR (09: 2009)
- WW: WEEK (25: THE 25TH WEEK)
- D: DAY (1~7: SUNDAY~SATURDAY)
- L: LINE NUMBER OF ASSEMBLY (A: LINE A)
- X: D OR N (D: DAY; N: NIGHT)

4. PART NUMBER DESCRIPTION:

10141995-00X R LF

- LF: LEAD FREE
 - R: TAPE & REEL PACKING
- PLATING CODE:
- 1: GF
 - 4: Au15u"
 - 5: Au30u"

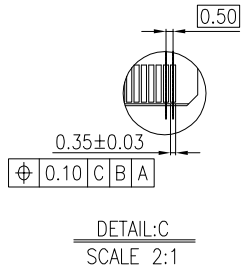
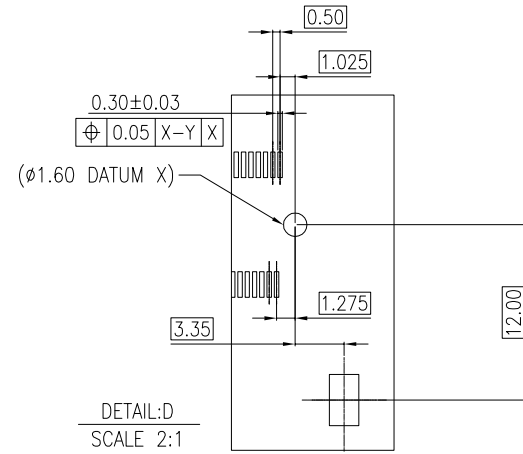
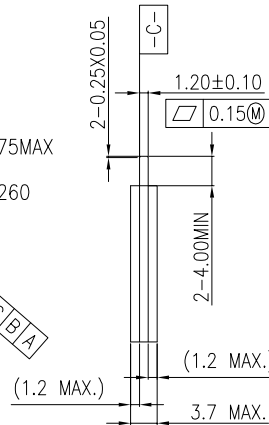
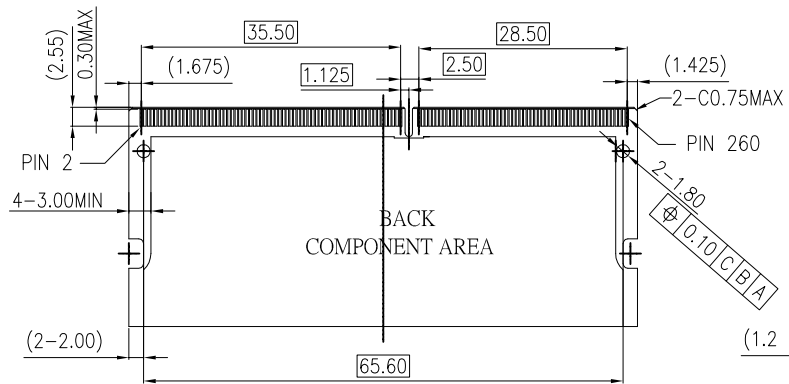
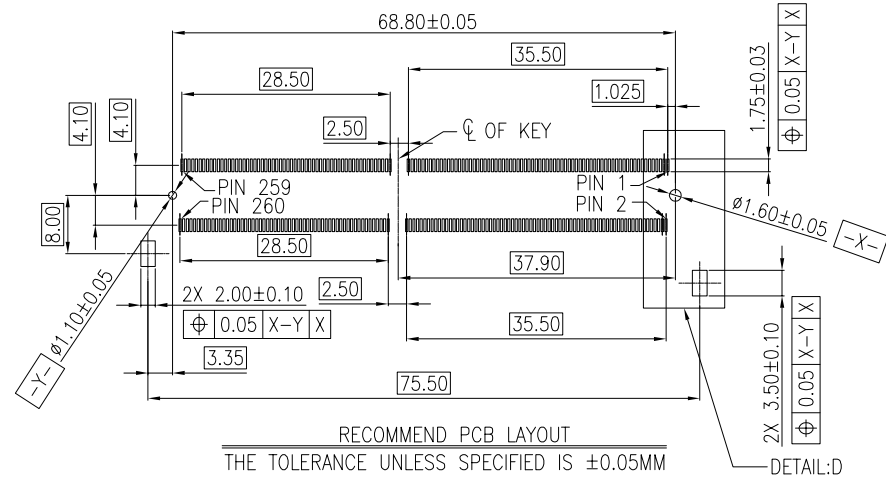
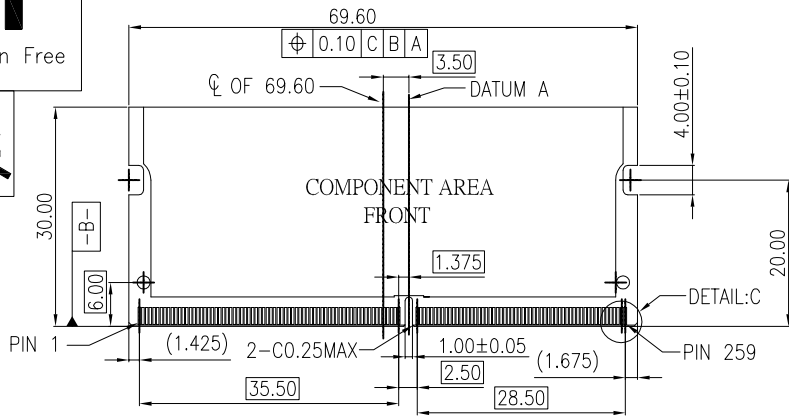


- MATING: ① INSERTING (25°) — ② ROTATING — ③ FIXED
 UNMATING: ④ UNFIXED — ⑤ ROTATING — ⑥ WITHDRAWING

mat'l. code	surface	tolerance	projection	product family
-	-	ASME_Y14.5	ASME_Y14.5	DDR
ltr	ecn no	dr	date	title
				DDR4_SODIMM_260P
				8.0H_STD_ASSEMBLY
				dwg no
				sheet 1 of 3
				size
				A4
				type
				CUSTOMER Drawing
sheet index	revision	A		
	sheet			

HF

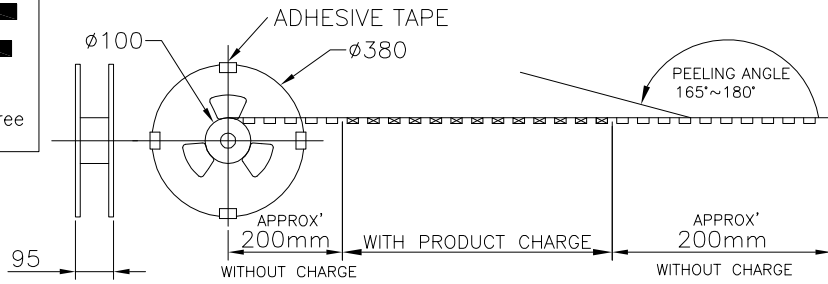
Halogen Free



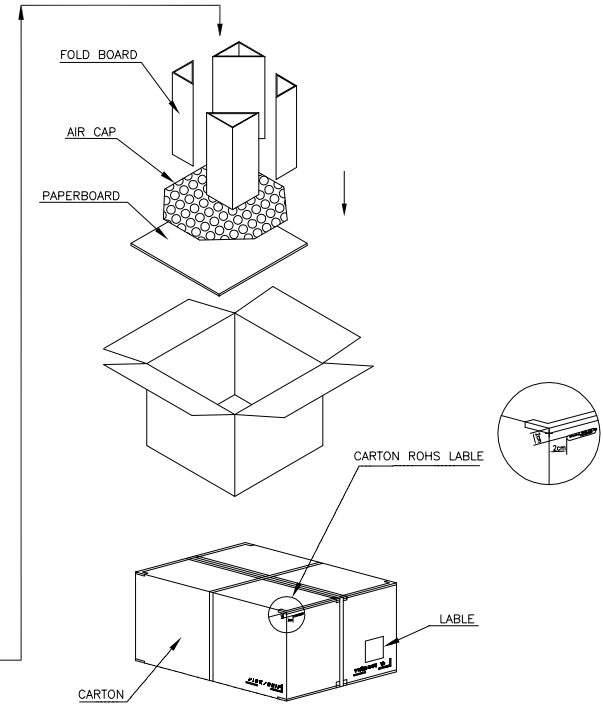
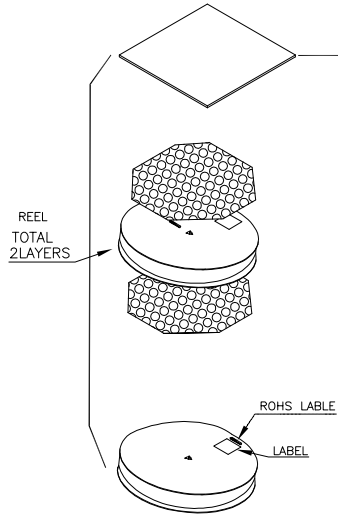
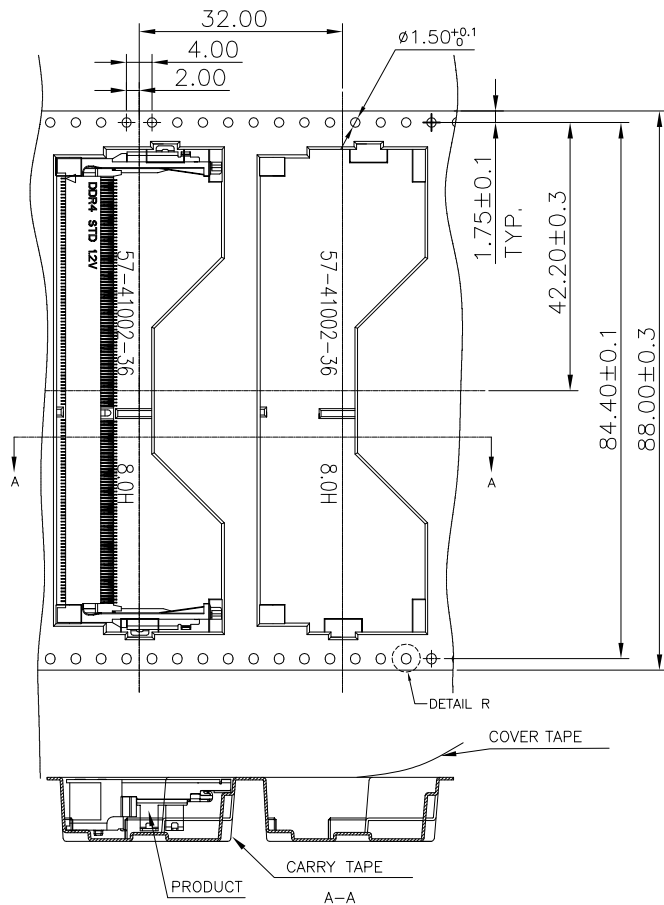
mat'l. code	surface	tolerance	projection	product family
-	-	ASME_Y14.5		DDR
ltr	ecn no	dr	date	title
				DDR4_SODIMM_260P 8.0H_STD_ASSEMBLY
				angles
				±2°
				Line
				0.0±0.30
				0.00±0.20
				0.00±0.10
				dr
				ZHENHUA_LIU 2016-12-02
				enr
				ZHENHUA_LIU 2016-12-02
				chr
				STONE_LI 2016-12-02
				app
				PM_ZHENG 2016-12-02
sheet index	revision	A		type
	sheet			CUSTOMER Drawing
				dwg no
				10141995
				sheet 2 of 3
				size
				A4

HF

Halogen Free



PULL OUT DIRECTION →



250	2	500
PCS/ REEL	REEL/ CARTON	PCS/ CARTON

mat'l. code	surface	tolerance	projection	product family
-	-	ASME_Y14.5		DDR
ltr	ecn no	dr	date	title
				DDR_4_SODIMM_260P 8.0H_STD_ASSEMBLY
				dwg no
				10141995
				type
				CUSTOMER Drawing

tolerances unless otherwise specified	MM	sheet 3 of 3
angles	scale N/A	size
±2°		A4
dr	ZHENHUA_LIU	2016-12-02
enr	ZHENHUA_LIU	2016-12-02
chr	STONE_LI	2016-12-02
app	PM_ZHENG	2016-12-02

sheet index	revision	A
	sheet	