

THIS DRAWING IS UNPUBLISHED. RELEASED FOR PUBLICATION 20  
 © COPYRIGHT 20 BY TYCO ELECTRONICS CORPORATION. ALL RIGHTS RESERVED.

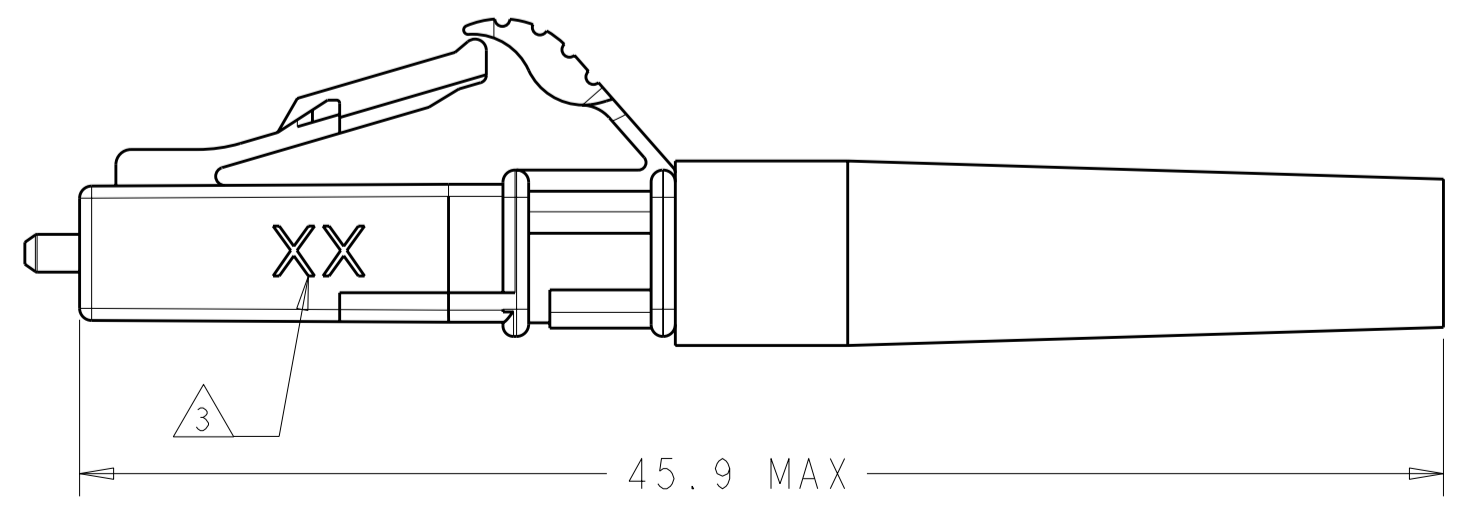
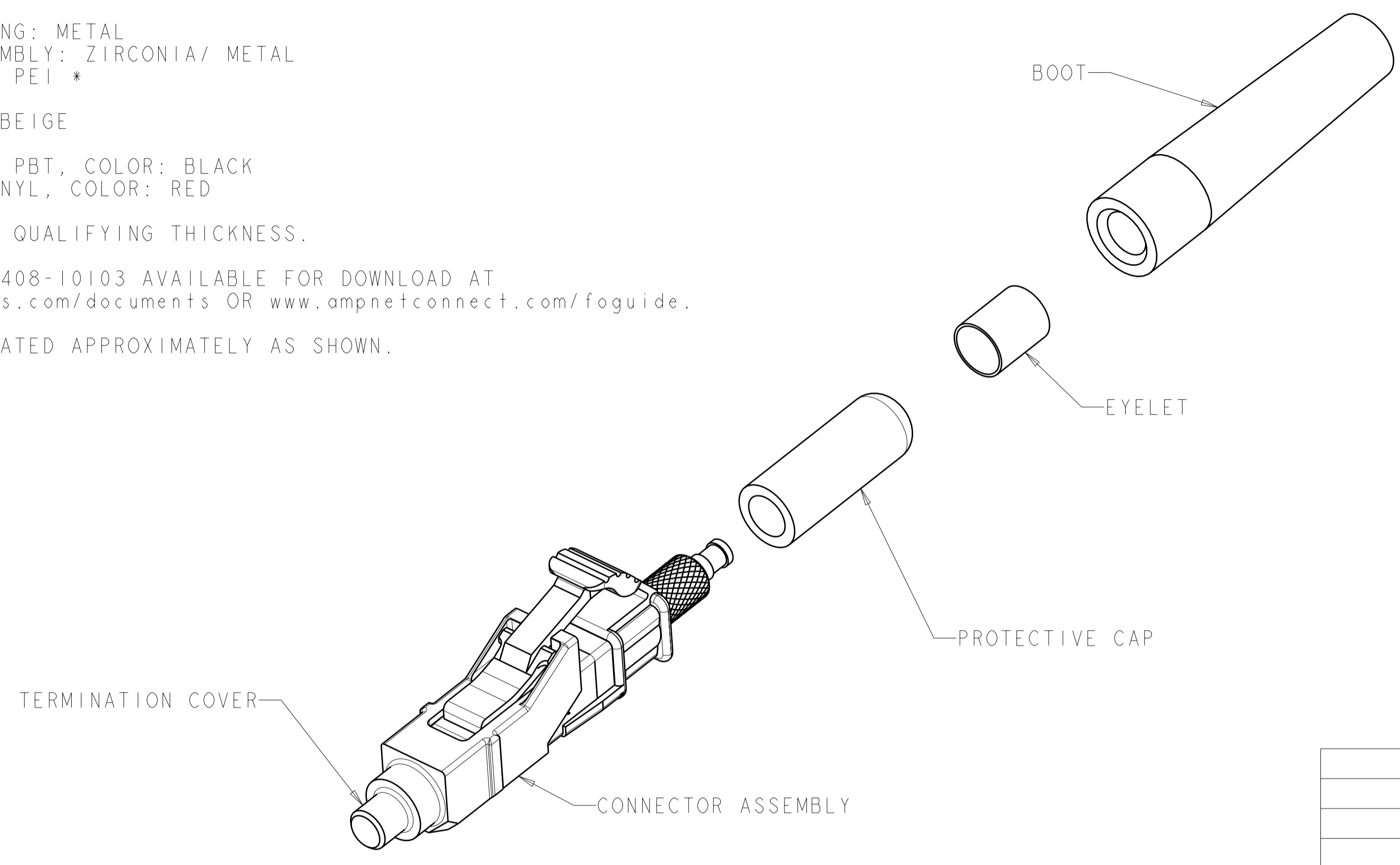
LOC	DIST	REVISIONS			
P	LTR	DESCRIPTION	DATE	DWN	APVD
CE	00				
	C	ECR-08-031868	30DEC2008	KG	SB
	CI	REVISE NOTE 2	16MAR2009	BB	SB

- 1 MATERIAL:  
 CONNECTOR ASSEMBLY:  
 CONNECTOR HOUSING: PPSU, COLOR: SEE -NO'S.\*  
 REAR BODY: METAL  
 COMPRESSION SPRING: METAL  
 FERRULE SUB ASSEMBLY: ZIRCONIA/ METAL  
 INTERNAL SPLICE: PEI \*  
 PLUNGER: METAL  
 BOOT: TPE, COLOR: BEIGE  
 BUILD-UP TUBE: TPE  
 TERMINATION COVER: PBT, COLOR: BLACK  
 PROTECTIVE CAP: VINYL, COLOR: RED

\*UL94 V-0 RATED AT QUALIFYING THICKNESS.

2. INSTRUCTION SHEET: 408-10103 AVAILABLE FOR DOWNLOAD AT  
[www.tycoelectronics.com/documents](http://www.tycoelectronics.com/documents) OR [www.ampnetconnect.com/foguide](http://www.ampnetconnect.com/foguide).

3 MARK WITH "62", LOCATED APPROXIMATELY AS SHOWN.



SLATE	1-1828859-0
ORANGE	1828859-9
VIOLET	1828859-8
BROWN	1828859-7
AQUA	1828859-6
ROSE	1828859-5
BLUE	1828859-4
GREEN	1828859-3
YELLOW	1828859-2
RED	1828859-1
KEYED HOUSING COLOR	PART NO.

THIS DRAWING IS A CONTROLLED DOCUMENT FOR TYCO ELECTRONICS CORPORATION. IT IS SUBJECT TO CHANGE AND THE CONTROLLING ENGINEERING ORGANIZATION SHOULD BE CONTACTED FOR THE LATEST REVISION.

DIMENSIONS:	TOLERANCES UNLESS OTHERWISE SPECIFIED:	DWN	16MAR2007	Tyco Electronics Harrisburg, PA 17105-3608	
mm	0 PLC ± 1 PLC ± 2 PLC ± 3 PLC ± 4 PLC ± ANGLES ± FINISH	CHK	16MAR2007		
		APVD	16MAR2007		
		PRODUCT SPEC			
MATERIAL		APPLICATION SPEC		NAME	
		WEIGHT		KIT, CONNECTOR, LightCrimp Plus LC SECURE, SIMPLEX, MM62.5, 1.6-2.0mm JACKET	
		CUSTOMER DRAWING		SIZE	RESTRICTED TO
				A2	-
				CAGE CODE	
				00779	
				DRAWING NO	
				1828859	
				SCALE	
				4:1	
				SHEET	
				OF	
				REV	
				CI	