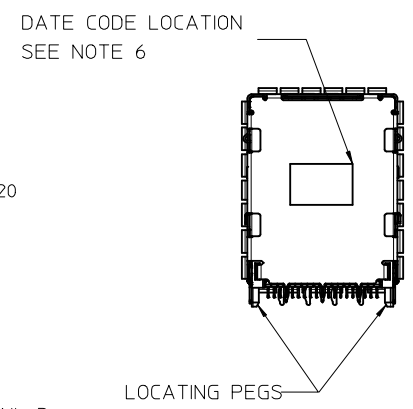
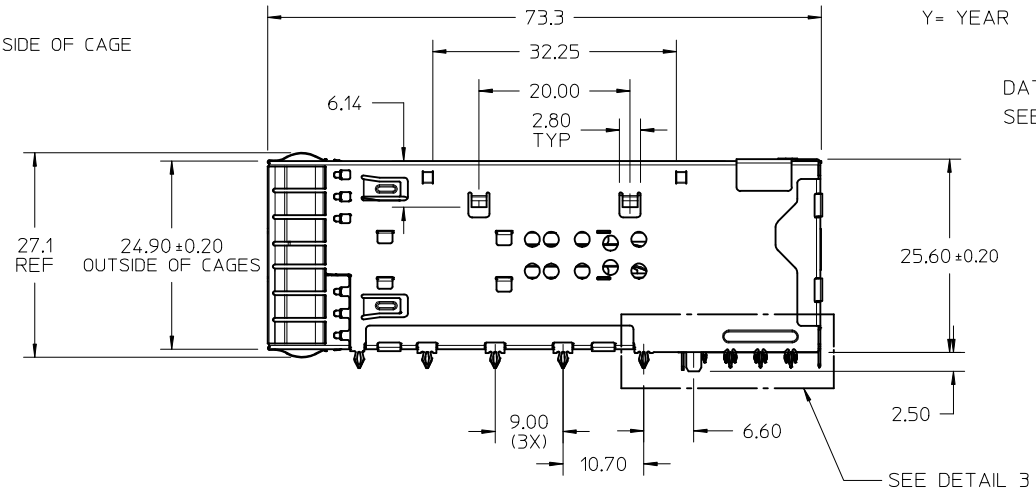
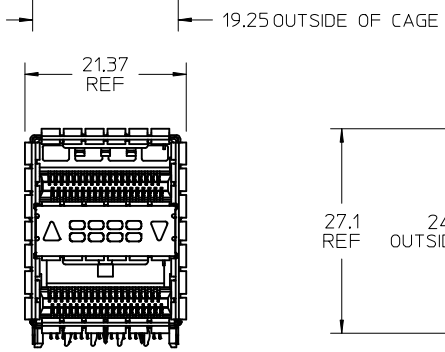
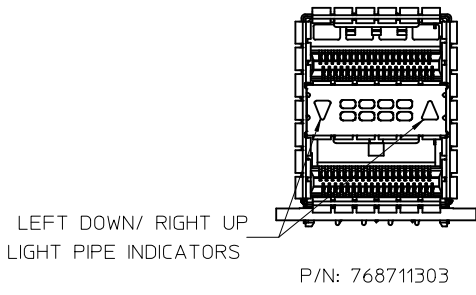
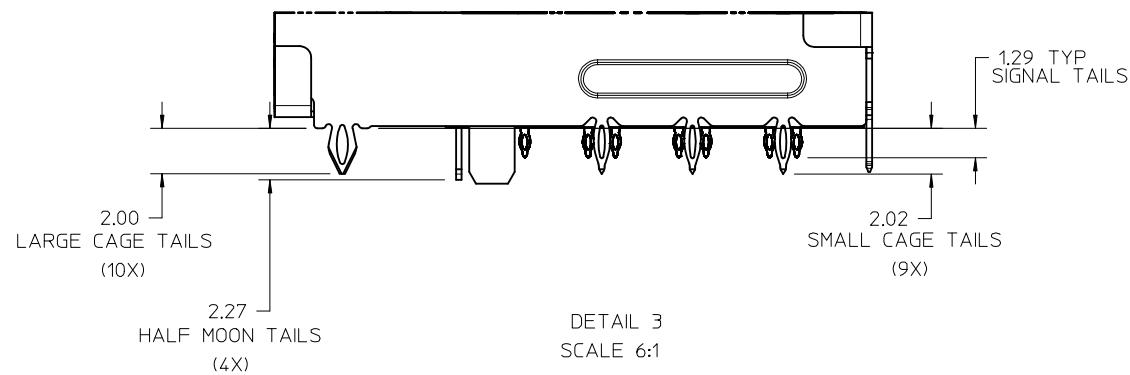
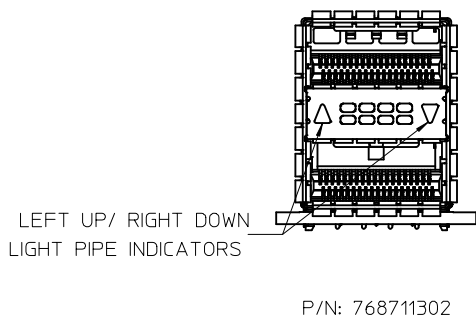
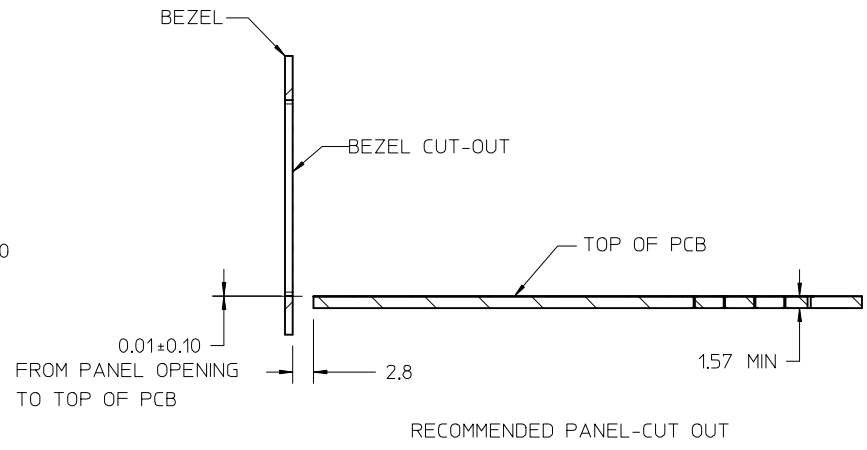
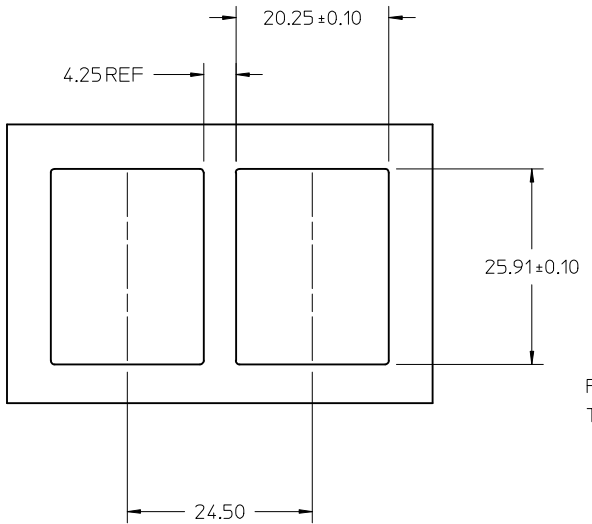
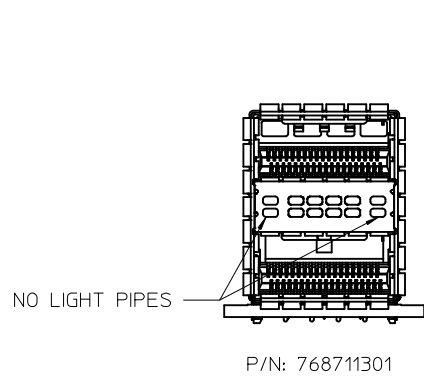


- NOTES:
- MATERIAL:
 - CAGE: NICKEL SILVER, THICKNESS: 0.25mm
 - EMI SPRING FINGERS: C510 PHOS-BRONZE: 0.076 REF
 - LIGHT PIPES: POLYCARBONATE
 - CONNECTOR HOUSING: GLASS FILLED THERMOPLASTIC. UL:94V-0. COLOR: BLACK
 - TERMINALS: HIGH PERFORMANCE COPPER ALLOY
 - FINISH:
 - CAGE: UNPLATED
 - EMI SPRING FINGERS: 2.54µm NICKEL OVERALL
 - TERMINALS: CONTACT AREA: 0.76 µm MIN. HARD GOLD OVER NICKEL. COMPLIANT TAIL: 0.7-1.5 µm MATTE TIN OVER NICKEL.
 - PACKAGING: PRODUCT PACKAGED IN TRAYS AND CARTONS
 - ALL VISIBLE EXTERIOR SURFACES TO BE CLASS "B" OR BETTER EXCEPT FOR THE UNDERSIDE OF THE CAGE AND SHOULD CONFORM TO THE MOLEX COSMETIC STANDARD PS-45499-002
 - CONNECTOR MATES WITH PLUG CABLE SERIES 74757 AND 74758
 - DATE CODE LOCATION SHOWN
DATE CODE FORMAT:DDD
DDD= DAY OF THE YEAR
Y= YEAR



PART NUMBER	DESCRIPTION	SHOWN ON SHEET	PLATING
768711301	NO LIGHT PIPES	2	TIN
768711302	LEFT UP/ RIGHT DOWN	2	TIN
768711303	LEFT DOWN/ RIGHT UP	1 & 2	TIN

CORRECTED PIN CALLOUT EC NO: UCP2014-2860 DRWN:HAVERY 2013/07/01 CHKD: APPR:MBANAKIS 2014/01/10 REV:	QUALITY SYMBOLS	GENERAL TOLERANCES (UNLESS SPECIFIED)	DIMENSION STYLE MM ONLY	SCALE 2:1	DESIGN UNITS METRIC	THIRD ANGLE PROJECTION
	▽=0	4 PLACES ± --- ± ---	mm	DRAWN BY JGONZALEZ01	DATE 2011/09/09	TITLE QSFP+ 2X1 ASSY W EMI SPRING FINGERS & HEAT SINK OPTION
	▽=0	3 PLACES ± --- ± ---	INCH	CHECKED BY KREGNIER	DATE 2011/09/09	MOLEX INCORPORATED
	▽=0	2 PLACES ± 0.13 ± ---		APPROVED BY MBANAKIS	DATE 2011/09/15	SD-76871-1301
		1 PLACE ± 0.25 ± ---		MATERIAL NO.	DOCUMENT NO.	SHEET NO. 1 OF 3
		ANGULAR ± 1/2°		DRAFT WHERE APPLICABLE MUST REMAIN WITHIN DIMENSIONS		
			SIZE	THIS DRAWING CONTAINS INFORMATION THAT IS PROPRIETARY TO MOLEX INCORPORATED AND SHOULD NOT BE USED WITHOUT WRITTEN PERMISSION		



SEE SHEET 1 EC NO: UCP2014-2860 DRW: HAVERY 2013/07/01 CHKD: MBANAKIS 2014/01/10 APPR: MBANAKIS	QUALITY SYMBOLS	GENERAL TOLERANCES (UNLESS SPECIFIED)	DIMENSION STYLE	SCALE	DESIGN UNITS	THIRD ANGLE PROJECTION
	▽=0	mm INCH	MM ONLY	2:1	METRIC	
	▽=0	4 PLACES ± --- ± ---	DRAWN BY DATE	TITLE		
	▽=0	3 PLACES ± --- ± ---	JGONZALEZ01 2011/09/09	QSFP+ 2X1 ASSY W EMI SPRING FINGERS & HEAT SINK OPTION		
	2 PLACES ± 0.13 ± ---	CHECKED BY DATE	MOLEX INCORPORATED			
	1 PLACE ± 0.25 ± ---	KREGNIER 2011/09/09	MATERIAL NO. SD-76871-1301			
	ANGULAR ± 1/2°	APPROVED BY DATE	DOCUMENT NO.			
		MBANAKIS 2011/09/15	SHEET NO. 2 OF 3			
			THIS DRAWING CONTAINS INFORMATION THAT IS PROPRIETARY TO MOLEX INCORPORATED AND SHOULD NOT BE USED WITHOUT WRITTEN PERMISSION			

