

Ratings

Voltage: 600 V
Temperature: -40~105 °C
Flammability: FT2

Conductor

Conductor count: 4
Gauge: 24 AWG 0.21 mm²
Material: tinned copper strands
Strand size: ϕ 0.08 x 41
Resistance at 20 °C: 94.2 Ω /km max

Insulator

Material: mPPE
Color: red, black, white, yellow
Diameter: ϕ 1.1 \pm 0.10 mm
Average thickness: 0.24 mm
Resistance at 20 °C: 100 M Ω /km min

Wrap

Material: cotton paper

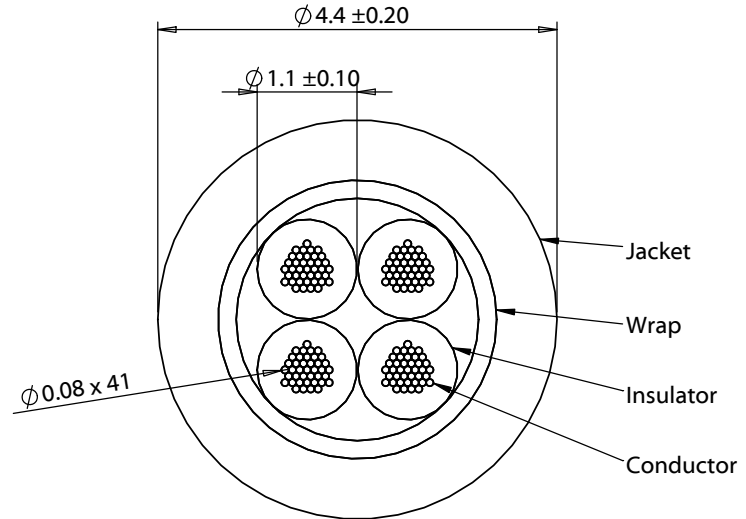
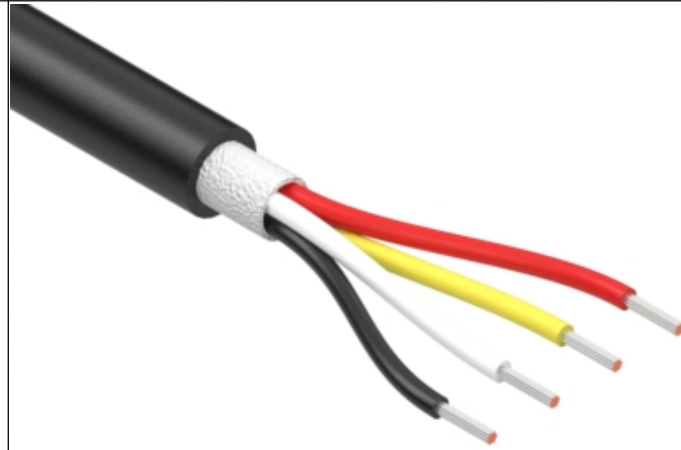
Outer jacket

Material: mPPE, 85A
Color: black
Diameter: ϕ 4.4 \pm 0.20 mm
Average thickness: 0.82 mm

Wire marking: E339579 UL AWM STYLE 21509 24 AWG 105°C
600V --- cUL AWM I A 105°C 600V FT2 TENSILITY

Bend radius

Minimum: 6 times diameter (26.4 mm)



Revision:	Date:	Description:
A	5/5/2021	Initial release

Prepared:
AW
Digitally signed by AW
Date: 2021.05.06
12:44:28 -07'00'

Verified:
JC
Digitally signed by JC
Date: 2021.05.11
14:06:11 -07'00'

Dimensions are in millimeters.
Tolerances:
X: \pm 0.5 mm
X.X: \pm 0.3 mm
X.XX: \pm 0.05 mm

Notes:
RoHS compliant
Phthalate and halogen free

Description:
Wire, 4C TS, 24 AWG, 21509, 600V, 105C, 4.4 mm, FT2, mPPE

TENSILITY

tel 1.541.323.3228 800 877.670.7118
fax 1.541.323.4202 web tensility.com

Size: A	Part number: 30-01993
Scale: 12:1	Sheet 1 of 1