

Instructions for installation of 3459-1 and 3459-2 Pair Splitter

General:

The 3459-1 and 3459-2 Pair Splitters mount on the 3445 Discrete Wire Block, which is mounted on the 3316 Universal Press (Figure 1). Their purpose is to split paired wires and aid in their alignment to connector contacts in discrete wire termination.

The 3459-1 Pair Splitter has 25 blades of five different colors, corresponding with the primary color code for the telecommunications industry (Chart 1). The 3459-2 Pair Splitter has 33 blades of five different colors corresponding with the NEMA color code (Chart 2).

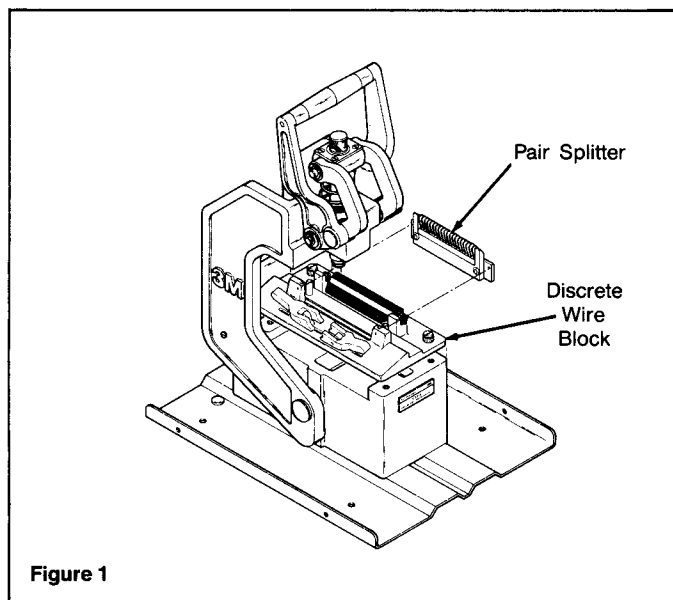
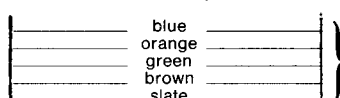


Figure 1

Telecommunications (3459-1 Pair Splitter)

Primary Colors (Pair Splitter)

white — red — black — yellow — violet

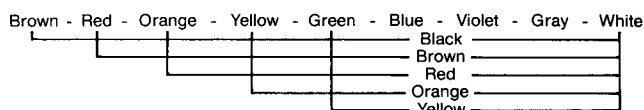


Secondary Colors
(Code Clip)

Chart 1

NEMA (3459-2 Pair Splitter)

Secondary Colors (Code Clip)



Primary Colors
(Pair Splitter)

Chart 2

Colors may be substituted or the number of blades reduced by removing the two screws at the front of the Pair Splitter and removing the cover from the blade holder (Figure 2). Seven blade colors may be ordered to produce your color codes. (See exploded for specific color part numbers.)

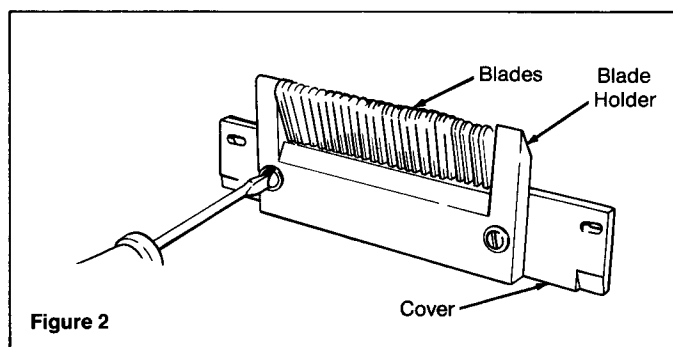


Figure 2

Installation:

Insert the Pair Splitter into the Discrete Wire Block by dropping it in at an angle and then pushing it forward slightly to engage its slots with the dowels on the Discrete Wire Block (Figure 3).

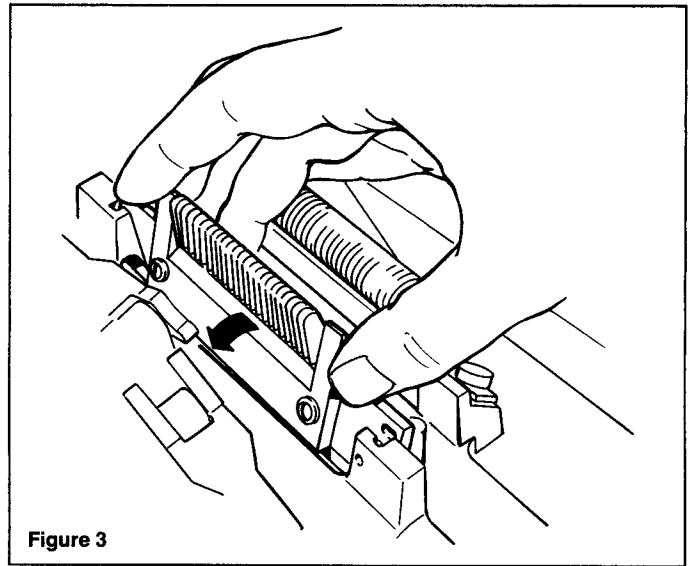


Figure 3

Adjustment:

You can check the alignment of the Pair Splitter by visually sighting from the center blade to the connector (Figure 4). The blade should line up **between** the contacts of the connector as shown. If this is not the case, loosen the two screws at the front of the Pair Splitter and move the assembly right or left until the blade lines up properly (Figure 5).

When you have the Pair Splitter blades aligned satisfactorily, tighten the adjusting screws.

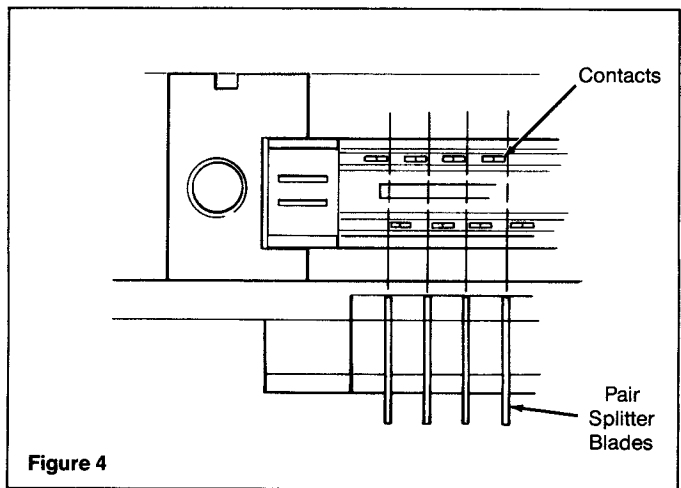


Figure 4

You are now ready to install a Connector Nest. Choose the Nest style appropriate to the connector being assembled.

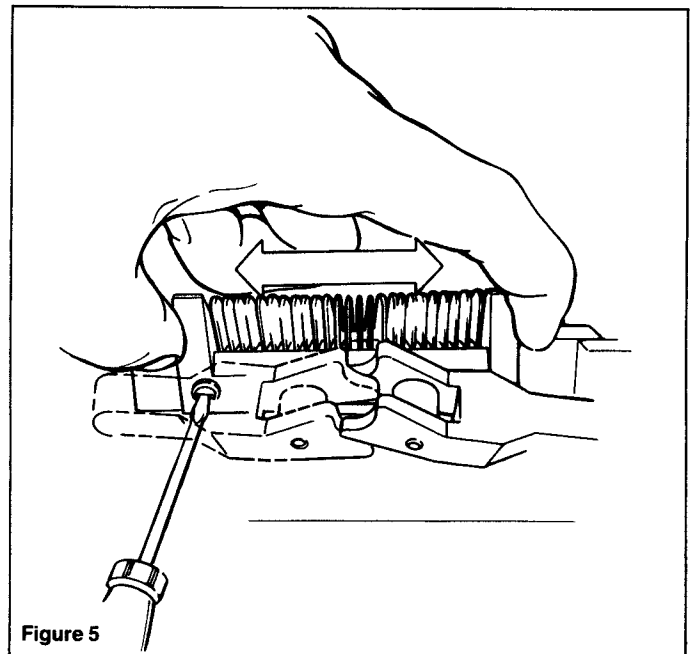
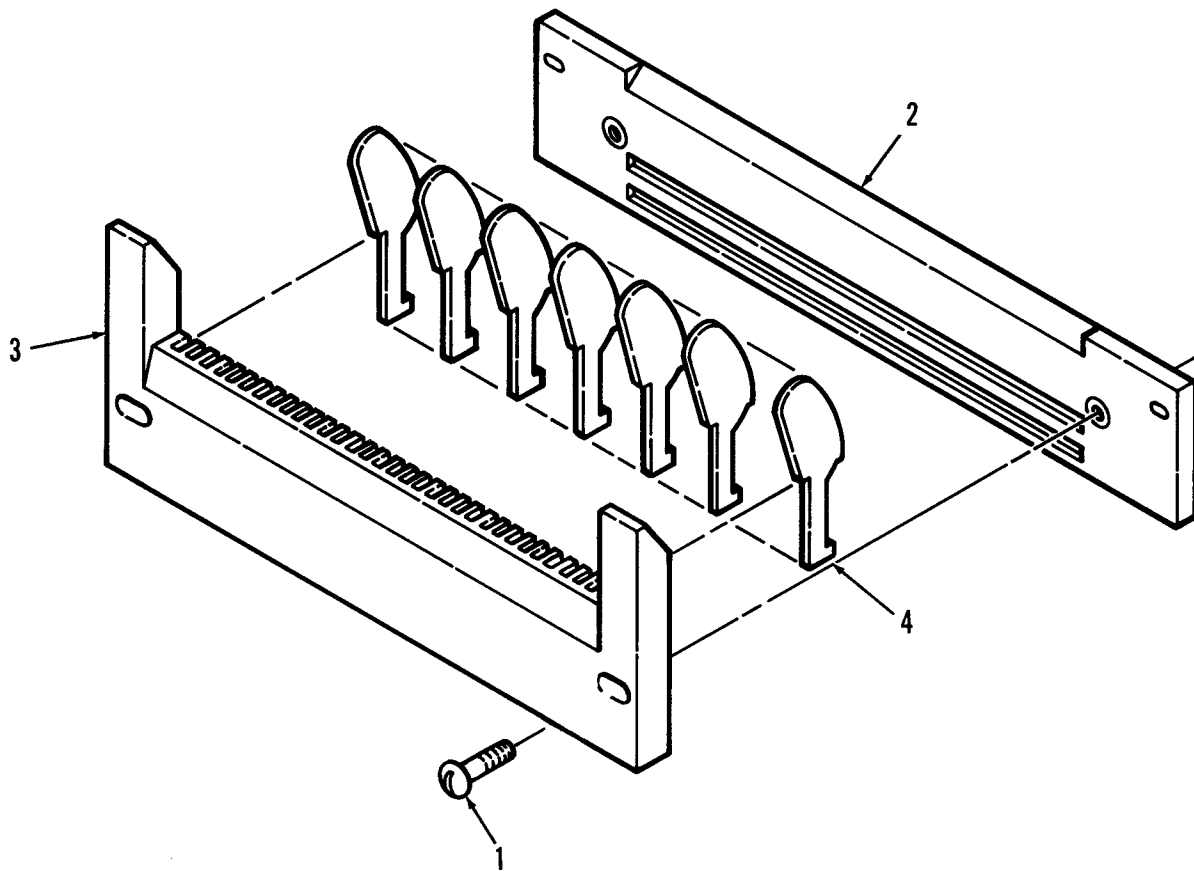


Figure 5



3459-1

Item No.	Part No.	Description
1	18-4401-3703-4	SCREW, 4-40 x 3/8 Lg, Rd, Hd.
2	78-8041-4135-2	COVER ASSY.
3	78-8041-2617-1	BLADE HOLDER
4	78-8041-4065-1	PAIR SPLITTER BLADES, White
	78-8041-4133-7	PAIR SPLITTER BLADES, Red
	78-8041-4134-5	PAIR SPLITTER BLADES, Black
	78-8041-4132-9	PAIR SPLITTER BLADES, Yellow
	78-8041-4131-1	PAIR SPLITTER BLADES, Violet

3459-2

Item No.	Part No.	Description
1	18-4401-3703-4	SCREW, 4-40 x 3/8 Lg, Rd, Hd.
2	78-8041-4135-2	COVER ASSY.
3	78-8041-2617-1	BLADE HOLDER
4	78-8041-4134-5	PAIR SPLITTER BLADES, Black
	78-8047-9881-3	PAIR SPLITTER BLADES, Brown
	78-8041-4133-7	PAIR SPLITTER BLADES, Red
	78-8047-9880-5	PAIR SPLITTER BLADES, Orange
	78-8041-4132-9	PAIR SPLITTER BLADES, Yellow

Important Notice to Purchaser:

All statements, technical information and recommendations contained herein are based on tests we believe to be reliable, but the accuracy or completeness thereof is not guaranteed, and the following is made in lieu of all warranties expressed or implied:

Seller's and manufacturer's only obligation shall be to replace such quantity of the product proved to be defective. Neither seller nor manufacturer shall be liable for any injury, loss or damage, direct or consequential, arising out of the use or the inability to use the product. Before using, user shall determine the suitability of the product for his intended use, and user assumes all risk and liability whatsoever in connection therewith.

No statement or recommendation not contained herein shall have any force or effect unless in an agreement signed by officers of seller and manufacturer.