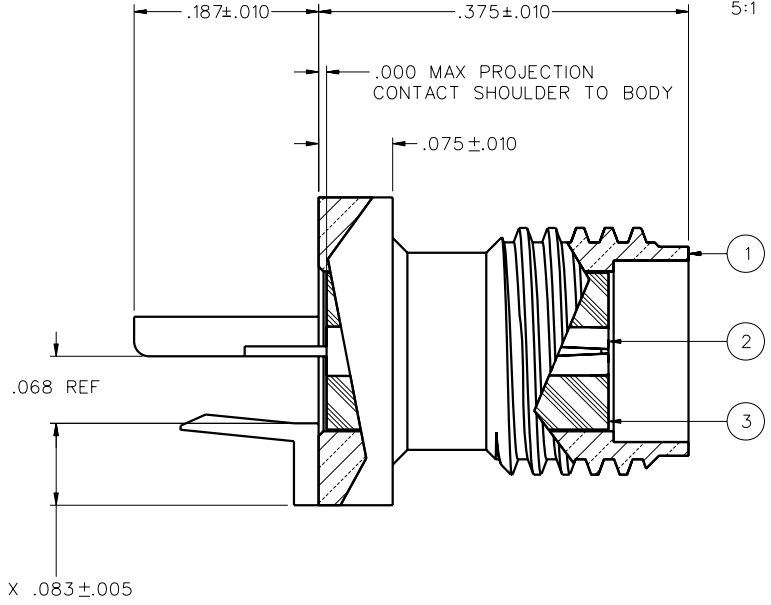
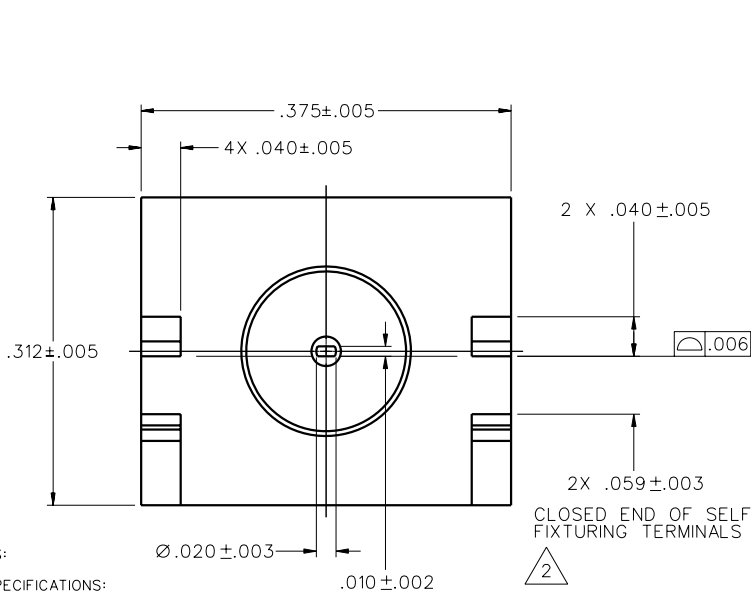
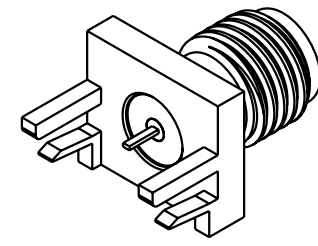


PART NUMBER	ITEM ① BODY	ITEM ② CONTACT	ITEM ③ INSULATOR
142-0791-821	BRASS GOLD PL .00001 MIN OVER NICKEL PL .00005 MIN OVER COPPER PL .00005 MIN	BERYLLIUM COPPER GOLD PL .00005 MIN OVER NICKEL PL .00005 MIN OVER COPPER PL .00005 MIN	TEFLON

DRAWING NO.  
C - 142-0791-821/830  
0 REVISIONS



NOTES:

1. SPECIFICATIONS:

ELECTRICAL:

IMPEDANCE: 50 OHMS  
 FREQUENCY RANGE: 0-18 GHz (10 GHz MAX TYPICAL CIRCUIT BOARD TRANSITION)  
 VSWR: NOT APPLICABLE  
 WORKING VOLTAGE: 335 VRMS MAX AT SEA LEVEL  
 DIELECTRIC WITHSTANDING VOLTAGE: 1000 VRMS MIN AT SEA LEVEL  
 INSULATION RESISTANCE: 5000 MEGOHMS MIN  
 CONTACT RESISTANCE: CENTER CONTACT - INITIAL 3 MILLIOHMS MAX,  
 AFTER ENVIRONMENTAL NOT APPLICABLE  
 OUTER CONDUCTOR - INITIAL 2.0 MILLIOHMS MAX  
 AFTER ENVIRONMENTAL 4 MILLIOHMS MAX  
 BRAID TO BODY - NOT APPLICABLE

CORONA LEVEL: 250 VOLTS MIN AT 70,000 FEET  
 INSERTION LOSS: NOT APPLICABLE  
 RF LEAKAGE: NOT APPLICABLE  
 RF HIGH POTENTIAL WITHSTANDING VOLTAGE: 670 VRMS MIN AT 4 AND 7 MHZ

MECHANICAL:

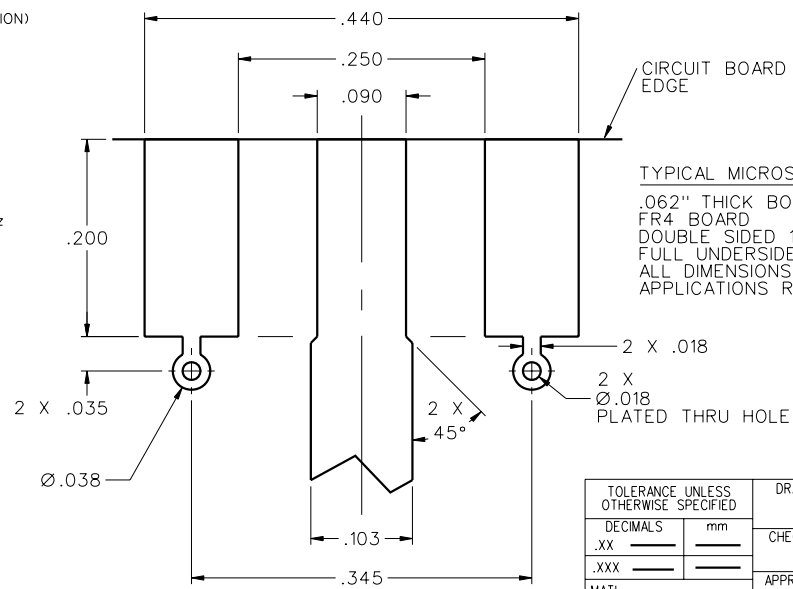
ENGAGE/DISENGAGE TORQUE: 2 INCH POUNDS MAX  
 MATING TORQUE: 7-10 INCH POUNDS  
 COUPLING PROOF TORQUE: NOT APPLICABLE  
 COUPLING NUT RETENTION: NOT APPLICABLE  
 CONTACT RETENTION: 6 LBS MIN AXIAL FORCE  
 4 OZ-IN MIN RADIAL TORQUE  
 CABLE ACCEPTABILITY: NOT APPLICABLE  
 CABLE RETENTION: NOT APPLICABLE  
 DURABILITY: 500 CYCLES MIN

ENVIRONMENTAL:

(MEETS OR EXCEEDS THE APPLICABLE PARAGRAPH OF MIL-PRF-39012)  
 THERMAL SHOCK: MIL-STD-202, METHOD 107, CONDITION B  
 OPERATING TEMPERATURE: -65° C TO 165° C  
 CORROSION: MIL-STD-202, METHOD 101, CONDITION B  
 SHOCK: MIL-STD-202, METHOD 213, CONDITION I  
 VIBRATION: MIL-STD-202, METHOD 204, CONDITION D  
 MOISTURE RESISTANCE: MIL-STD-202, METHOD 106

2. ALL CONNECTOR TERMINALS ARE INTENDED TO BE SOLDERED TO CIRCUIT BOARD.

3. EMERSON NETWORK POWER CONNECTIVITY SOLUTIONS SELF FIXTURE END LAUNCH CONNECTORS ARE COVERED UNDER U.S. PATENT NUMBER 7,500,855.



CIRCUIT BOARD EDGE  
 TYPICAL MICROSTRIP TOPSIDE LAYOUT  
 .062" THICK BOARD  
 FR4 BOARD  
 DOUBLE SIDED 1 OZ COPPER  
 FULL UNDERSIDE GROUND PLANE  
 ALL DIMENSIONS ARE REFERENCE  
 APPLICATIONS REQUIRE OPTIMIZATION

FOR QUOTATION ONLY  
UNAPPROVED

CUSTOMER DRAWING

THIS DRAWING TO BE INTERPRETED PER ASME Y 14.5M - 1994

"μSTATION"

COMPANY CONFIDENTIAL

TOLERANCE UNLESS OTHERWISE SPECIFIED	DRAWN BY JDS	DATE 9-18-07
DECIMALS	CHECKED BY	DATE
.XXX	APPROVED BY	DATE
MATL	RELEASE DATE	
FINISH	U/M	INCH
	SCALE	10:1

**EMERSON** Network Power  
**Connectivity Solutions**  
 P.O. Box 1732  
 Waseca, MN 56093  
 1-800-247-8256

TITLE  
SMA JACK ASSEMBLY  
SELF FIXTURING END LAUNCH,  
TAB CONTACT, .062 BOARD

SHEET 2 OF 2  
DRAWING NO.  
C - 142-0791-821/830