

A

B

C

D

E

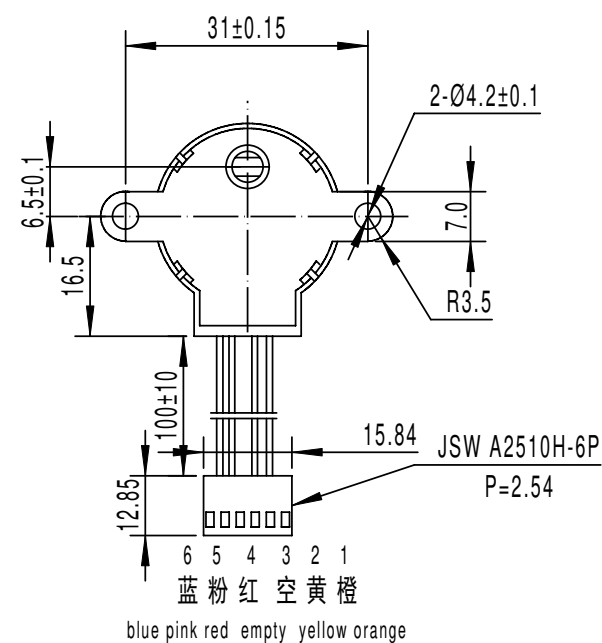
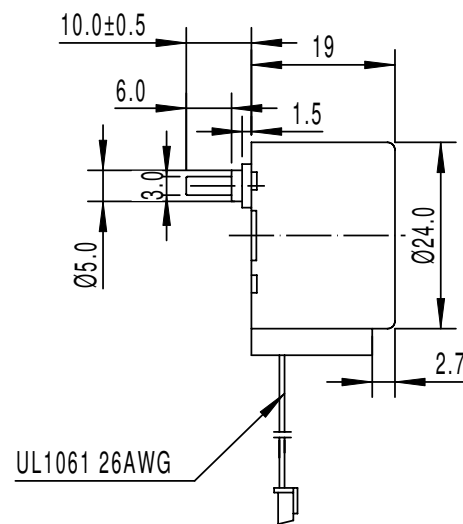
F

G

H

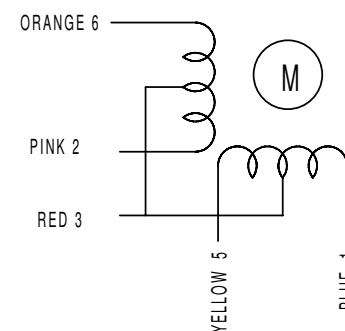
TS-24BYJ48A-25 STEPPING MOTOR

ITEM	Specification Condition
N0. of Phase	4
Step Angle	5.625°/25
Operating Voltage	DC 5V (Terminal Voltage)
Excitation	1-2 Phase Excitation.
Winding Resistance	120±10% Ω At 25°C
Pull-In Torque	200g.cm min ,100pps DC5V
Stepping Accuracy	5.625°±7%
Pull In Rate	600pps min
Moderating Ratio	1/25



lable

TS-24BYJ48A-25
5VDC 120 Ω 1:25



TITLE: TS-24BYJ48A-25	Customer No:	Drafted By: kevin wang	
Dwg. NO: JL-120-25A	Date: 2015.04.11	Checked By:	
TT MOTOR (HK) INDUSTRIAL CO.,LTD		Scale: 1:1	Units: mm
		Angular: =1°	Decimal: X.XX ±0.05
			X.X ±0.2
			X ±0.3
		EDITION No: A	