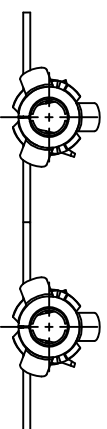
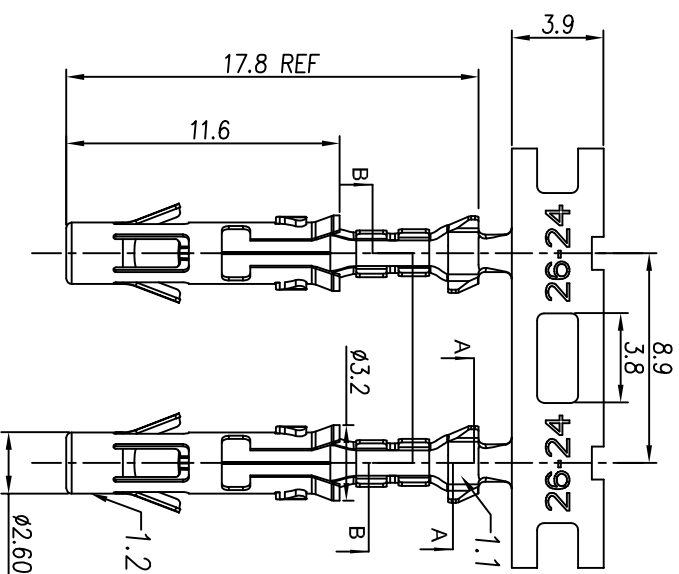
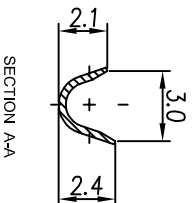
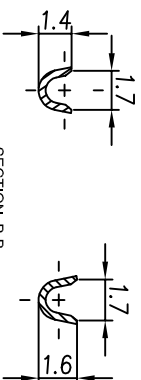
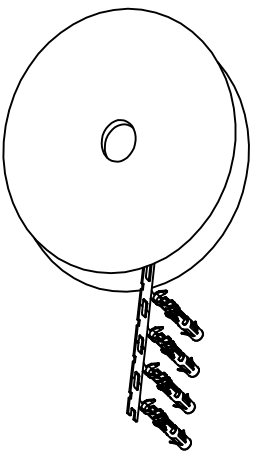


REVISIONS				
REV	ECO	DESCRIPTION	DATE	BY APPR
A1	-	RELEASED DRAWING	Jul-16-18	Flan Tommy



CONTACT ORIENTATION ON ROLL(3000PCS/COIL)

NOTES : (UNLESS OTHERWISE SPECIFIED)

1. MATERIAL :
 - 1.1. CONTACT BODY : COPPER ALLOY.
 - 1.2. OUTER SPRING : STAINLESS STEEL.
2. SPECIFICATIONS :
 - 2.1 CURRENT RATING : 13A MAX.
 - 2.2 TERMINATION TYPE : CRIMPING.
 - 2.3 WIRE RANGE : 26~24AWG.
 - 2.4 WIRE INSULATION DIA(MAX) : ϕ 2.1mm.
3. ROHS COMPLIANT.
4. ALL DIMENSIONS ARE FOR REFERENCE USE ONLY.
5. AVAILABLE TOOLS :
 - 5.1 HAND CRIMPER : MFX-3954.
 - 5.2 CRIMP APPLICATOR : MFX-3957.
 - 5.3 EXTRACTION TOOL : QXRT16.

P/N	CONTACT PLATING(MATING AREA)
SS24M2T	TIN PLATING OVER NICKEL.
SS24M2N	NICKEL PLATING OVER COPPERIZE.
SS24M2F	GOLD FLASH PLATING OVER NICKEL.
SS24M2G5	5 μ "GOLD PLATING OVER NICKEL.
SS24M2G10	10 μ "GOLD PLATING OVER NICKEL.
SS24M2G15	15 μ "GOLD PLATING OVER NICKEL.
SS24M2G30	30 μ "GOLD PLATING OVER NICKEL.

QUANTITY	PART NUMBER	DESCRIPTION	ITEM
MATERIALS LIST			
UNLESS OTHERWISE SPECIFIED 1) All dimensions are in millimeters. 2) Tolerances are as follows: 1 PL DEC 240.30 Fractions 1/16" 3 PL DEC 240.08 Angles 1°			
3) Note reference =			
MATERIAL SPECIFICATIONS:		CUSTOMER: Tommy Jul-16-18	
PROCESS SPECIFICATIONS:		THE DRAWING IS SUBJECT TO THE REVISIONS AND PERFORMANCE DATA SPECIFICATIONS AND PERFORMANCE DATA OF THE MATERIAL CORPORATION. NO PARTS OF REPRODUCTION ARE PERMITTED. ALL MANUFACTURING VARIATIONS.	
SCALE: NONE	SIZE: B	TYPE: C-	DWG NO: SS24M2XX
SHEET: 1	OF: 1	REVISION: A1	ECO-MATE SOCKET CONTACT, STAMPED,26-24AWG,SIZE 16

Amphenol

Sine Systems - www.amphenol-sine.com
44724 Morley Drive
Clinton Township, MI 48036

ECO-MATE SOCKET CONTACT,
STAMPED,26-24AWG,SIZE 16

TEXT ASSY: