

RH-AM | Inclined double-curved handles

Steel

METRIC



- 1
- 2
- 3
- 4
- 5
- 6
- 7
- 8
- 9
- 10
- 11
- 12
- 13
- 14
- 15
- 16
- 17
- 18

MATERIAL

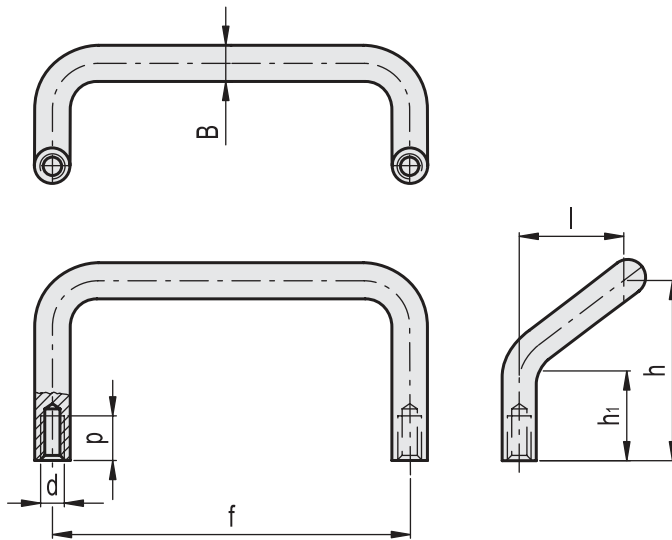
Round cross section steel bar, chrome-plated surface, matte finish.

STANDARD EXECUTION

Threaded blind holes.

SPECIAL EXECUTIONS ON REQUEST

Different lengths.



Conversion Table	
1 mm = 0.039 inch	
f	
mm	inch
120	4.72

METRIC

Code	f	d	p	B	h	h1	l	△
RHAM-27.120.22	120	M8	15	12	60	27	35	214
RHAM-87.120.22	120	M8	15	12	120	87	35	325

Lift & Pull handles