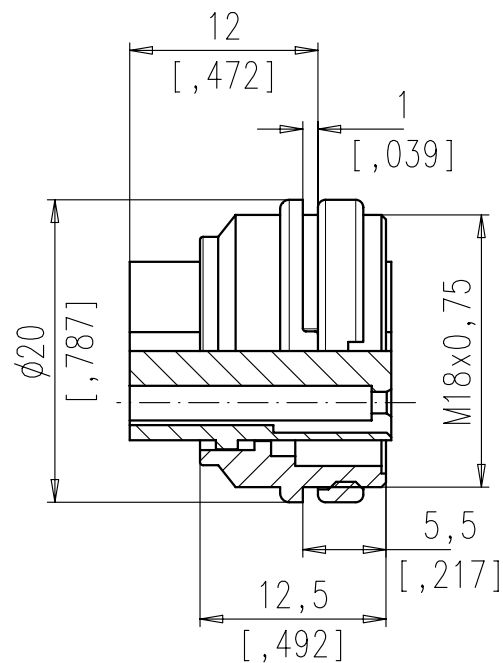
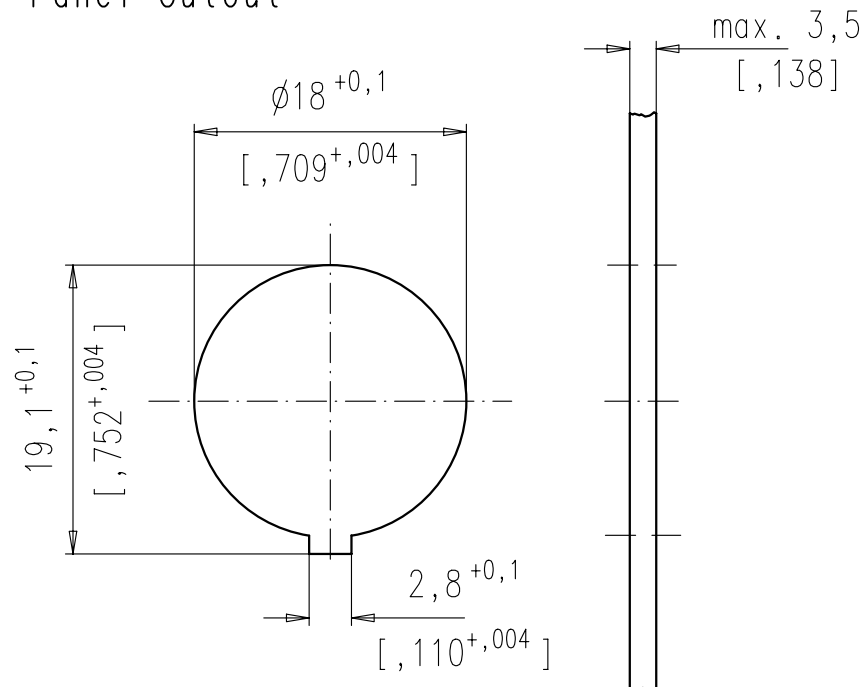


Copying of this document and giving it to others and the use or communication of the contents thereof, are forbidden without express authority. Offenders are liable to the payment of damages. All rights are reserved in the event of the grant of a patent or the registration of the utility model or design.



Montageausschnitt
Panel Cutout



| | | |
|------------------|-------------------------------|---------------------------------------|
| | 8 IEC | T 3507 150 |
| | 7 IEC | T 3487 150 |
| | 7 | T 3478 150 |
| | 6 | T 3403 150 |
| | 5 | T 3363 150 |
| | 5 IEC | T 3359 150 |
| | 4 | T 3303 150 |
| | 3 | T 3263 150 |
| SYMBOL symbol | POLZAHL number of contacts | TYP-NUMMER-CRIMP type-number-crimp |

| | | | | | | | | | | | | |
|--|-------------------------------------|---|---------------|---------------|------------------|------------------|---------------|---------------------|------------------|--------|----|-----|
| Polzahl number of contacts | Norm standard | 3 | 4 | 5 | 5 | 6 | 7 | 7 | 8 | 12 | 14 | |
| Kontaktanordnung nach DIN contact arrangement acc. to DIN | | 41524 60130-9 | - 60130-9 | - | 41524 60130-9 | 45322 60130-9 | - | 45329 60130-9 | 45326 60130-9 | - | - | |
| Kontaktanordnung nach IEC contact arrangement acc. to IEC | | | | | | | | | | | | |
| Bemessungsspannung rated voltage | IEC 60664-1 | 300V = | | 100V = | | 300V = | | 100V = | | 150V = | | |
| Bemessungsspannung rated voltage | UL 1977 | 250V | | | | | | | | | | 60V |
| Bemessungs-Stoßspannung rated impulse withstand voltage | IEC 60664-1 | 1500V | | 1200V | | 1500V | | 1200V | | | | |
| Verschmutzungsgrad pollution degree | IEC 60664-1 | 1 | | | | | | | | | | |
| Überspannungskategorie installation category | IEC 60664-1 | I | | | | | | | | | | |
| Isolierstoffgruppe insulation group | IEC 60664-1 | II, 400 ≤ CTI < 600 | | | | | | | | | | |
| Strombelastbarkeit current rating | IEC 60512-5-2 Test 5b UL 1977 | 5A / +40°C / +104°F | | | | | | 3A / +40°C / +104°F | | | | |
| Isolationswiderstand insulation resistance | IEC 60512-3-1 Test 3a | >10 ¹⁰ Ω | | | | | | | | | | |
| Durchgangswiderstand contact resistance | IEC 60512-2-1 Test 2a | < 5m Ω | | | | | | | | | | |
| Prüfklasse climatic category | IEC 60068-1 | 40 / 100 / 56 | | | | | | | | | | |
| Temperaturbereich temperature range | IEC 60068-1 | -40°C ... +100°C -40°F ... +212°F | | | | | | | | | | |
| IP-Schutzart IP-degree | IEC 60529 | IP 40 | | | | | | | | | | |
| Steck- und Ziehkraft insertion and withdrawal forces | IEC 60512-13-2 Test 13b | 25N 90.oz | 30N 110.oz | 35N 125.oz | 50N 180.oz | 55N 200.oz | 60N 220.oz | 50N 180.oz | | | | |
| Mechanische Lebensdauer mechanical operation | IEC 60512-9-1 Test 9a | silber/silver ≥ 500 Steckzyklen/mating cycles gold/gold ≥ 1000 Steckzyklen/mating cycles | | | | | | | | | | |
| Werkstoff Gehäuse housing material | | Überwurfmutter Messing, Zugentlastung Zink-Druckguß, Oberfläche vernickelt coupling ring brass, strain relief, die cast, nickel plated | | | | | | | | | | |
| Werkstoff Kontaktträger dielectric material | | Thermoplast thermoplastic | | | | | | | | | | |
| Kontaktoberfläche contact plating | | versilbert/vergoldet silver plated/gold plated | | | | | | | | | | |
| Anschlussstechnik termination technique | | crimps crimp | | | | | | | | | | |
| Anschlussquerschnitt wire gauge | | crimp: 2-6 pol(ausschließlich/excluding 5S): 0,09-1,00mm ² / 28-18 AWG crimp 5S, 7, 7S, 8 pol: 0,09-0,75mm ² / 28-20 AWG | | | | | | | | | | |
| Brennbarkeit flammability | | UL 94 V0 | | | | | | | | | | |
| Verriegelung locking system | IEC 60130-9 | schrauben: Anziehdrehmoment 0,7Nm metal screw coupling: tightening torque 0,7Nm | | | | | | | | | | |

Diese Steckverbinder dürfen betriebsmäßig nicht unter Spannung betätigt werden. Metallene Gehäuseteile sind sicher mit dem Schutzleitersystem zu verbinden.
Do not connect or disconnect under load. Metal housing parts shall be securely incorporated to protected ground.

Crimpkontakte bitte separat bestellen, Details siehe M-N 02 015 00XX (X) oder Katalog C091 A/B/D Seite 44
please order crimp contacts separately, details see M-N 02 015 00XX (X) or catalog C091 A/B/D page 44

| | | | | | | | |
|---------------------------------|----------------------|-----------------------|------------|---------------------------------|---------------|---------------------------|--|
| Gewicht (errechnet)/ Calc WT: | 9 | Zul. Abw./Tolerances: | | Maßstab/Scale | 2:1 | A3 | |
| Prüfmaß/Test dimension | | | | CUSTOMER DRAWING | | | |
| Teileindex Part index number | | | | Gerätedose Female receptacle | | | |
| | | 04 | Datum/Date | Name | | | |
| | | Gez. | 29.09. | Meuser | | | |
| | | Drawn | | | | | |
| | | Gep. | | | | | |
| | | Checked | | | | | |
| 02 | 200700144 | 25.06.08 | CI | Amphenol-Tuchel | | | |
| 01 | 200400530 | 29.09.04 | Me | Electronics GmbH | | | |
| Index | Änderung/Description | Datum/Date | Name | Ers. f./Similar to: | | | |
| | | | | M | GA T 3XXX 150 | Blatt/Sheet 1 1 Bl. | |