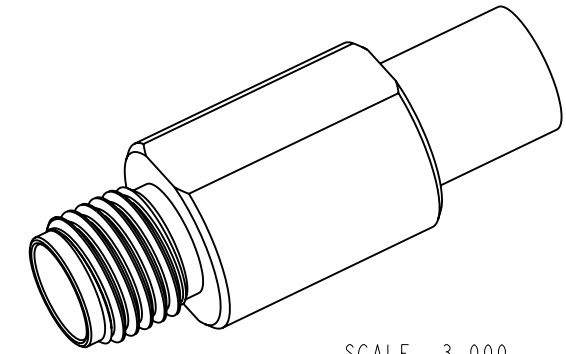


NOTES:

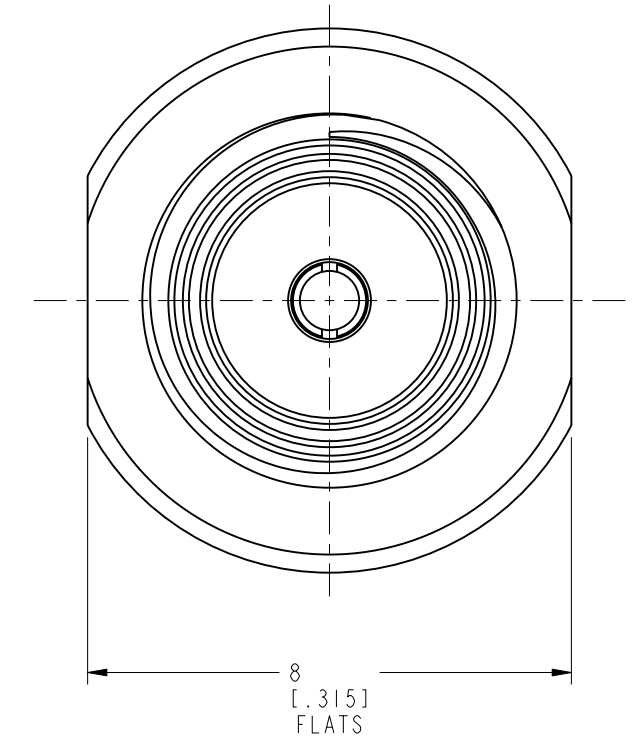
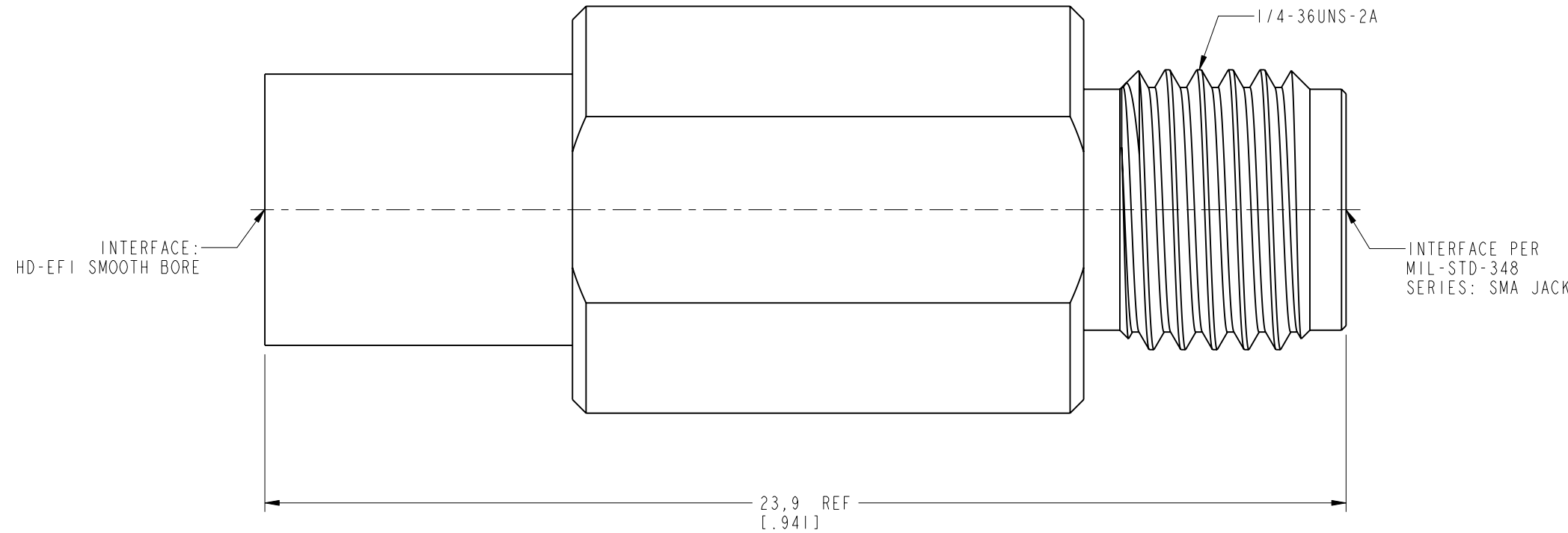
1. MATERIALS AND FINISHES:  
 BODY - BRASS, WHITE BRONZE PLATING  
 CONTACT - BERYLLIUM COPPER, GOLD PLATING  
 INSULATOR - PTFE & PEEK, NATURAL
2. ELECTRICAL:  
 A. IMPEDANCE: 50 OHM  
 B. FREQUENCY RANGE: DC - 6 GHz  
 C. VSWR: 1.15 MAX. @ DC-3 GHz  
 1.22 MAX. @ 3-6 GHz
3. MECHANICAL:  
 A. DURABILITY: 100 CYCLES MIN.  
 B. TEMPERATURE RANGE: -65°C TO +165°C
4. PACKAGING:  
 A. QUANTITY: SINGLE PACK  
 B. MARKING: BAG TO BE MARKED:  
 "AMPHENOL RF, AD-SMAJHDEFIJ-2, AND DATE CODE

THIRD ANGLE PROJ.

		REVISIONS		
REV	DESCRIPTION	DATE	ECN	APPR
A	RELEASE TO MFG.	08-Aug-18	08787	BMG



SCALE 3.000



**CUSTOMER OUTLINE DRAWING**  
 ALL OTHER SHEETS ARE FOR INTERNAL USE ONLY

UNLESS OTHERWISE SPECIFIED, DIMENSIONS ARE IN METRIC AND TOLERANCES ARE: <0.5mm ±0.05mm    0.5 - 6mm ±0.1mm    6 - 30mm ±0.2mm    30 - 120mm ±0.3mm    ANGLES ±1°	MATERIAL	DRAWN	DATE	TITLE SMA JACK TO HD-EFI SMOOTH BORE		Amphenol RF www.amphenolrf.com	
	SEE NOTES	M. ZHANG	08-Aug-18				
NOTICE - These drawings, specifications, or other data (1) are, and remain the property of Amphenol corp. (2) must be returned upon request; and (3) are confidential and not to be disclosed to any person other than those to whom they are given by Amphenol Corp. the furnishing of these drawings, specifications, or other data by Amphenol Corp., or to any other person to anyone for any purpose is not to be regarded by implication or otherwise in any manner licensing, granting rights to permitting such holder or any other person to manufacture, use or sell any product, process or design, patented or otherwise, that may in any way be related to or disclosed by said drawings, specifications, or other data.	REFERENCE	ENGINEER	DATE	SCALE: 8.0:1.0    SHEET 2 OF 2		DRAWING NO. AD-SMAJHDEFIJ-2 ITEM NO. AD-SMAJHDEFIJ-2 PART NO. AD-SMAJHDEFIJ-2	
	EAR# 8375	B. GREENBAUM	02-Jul-18				
	REF: SMAF-DFIM2-AT5G-50	APPROVED	S. HSIEH	DATE	DWG SIZE B	REV A	
	CONFIGURATION LEVEL: In Work	CAD FILE		10-Aug-18			
FINISH							