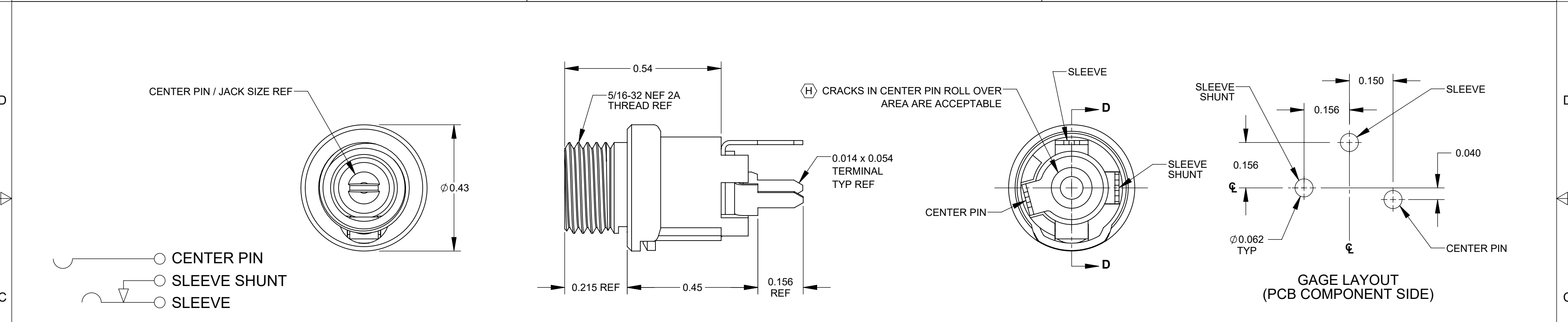


**PC712A**

**PC722A**

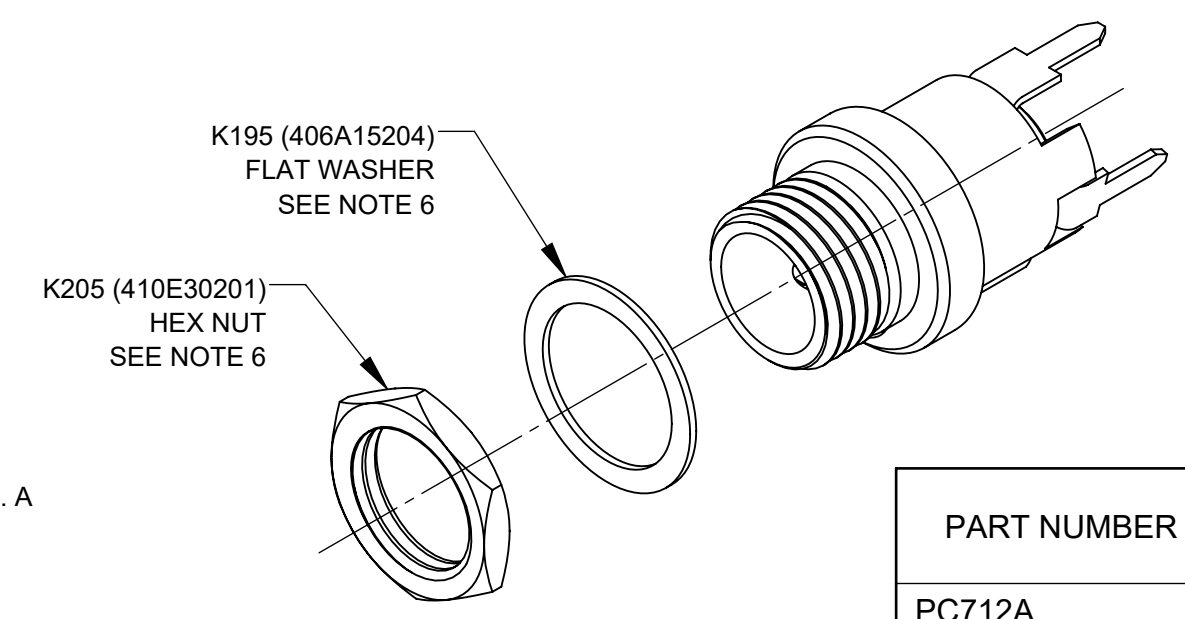
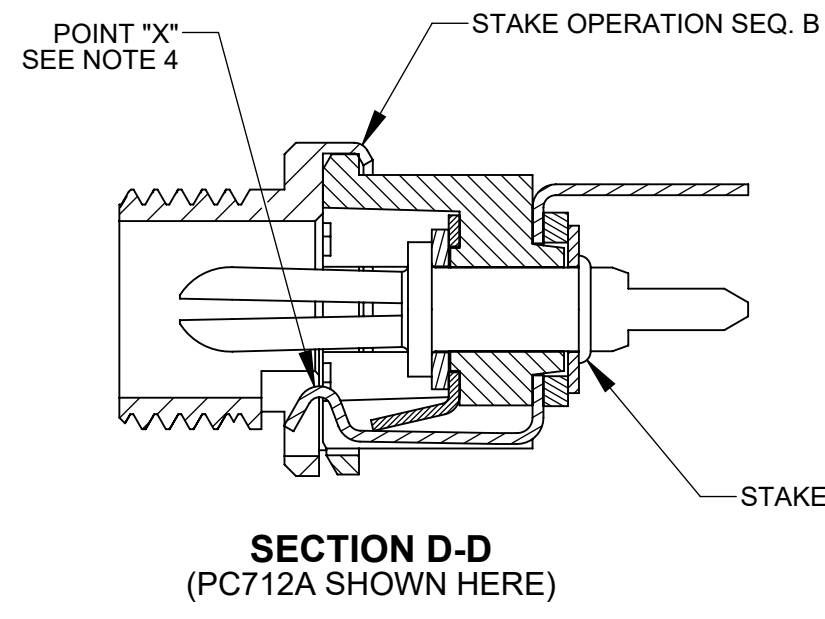
**PC732A**



**SCHEMATIC**

**GAGE LAYOUT (PCB COMPONENT SIDE)**

- NOTES:**
- (a) CONTINUITY CHECK (E-1103-1) TEST SET  
CHECK TRANSFER OF CONTINUITY BETWEEN JACK SLEEVE AND SHUNT TO THE JACK SLEEVE AND PLUG GAGE WITH THE INSERTION OF PLUG GAGE M518-01.
  - (b) BUSHING I.D. / TIP POSITION CHECK  
CHECK BUSHING I.D. AND SLEEVE SPRING TIP POSITION WITH M518-02 PLUG GAGE.
  - DIELECTRIC CHECK  
CHECK FOR DIELECTRIC STRENGTH OF 500 VAC MINIMUM BETWEEN SLEEVE AND SHUNT WITH PLUG GAGE INSERTED.
  - INSERTION AND WITHDRAWAL FORCE  
INSERTION FORCE: 3 LB MAX.  
WITHDRAWAL FORCE: 4 OZ. MIN.
  - FORCE TO OPEN SHUNT-APPLIED AT THE POINT "X" OF THE SLEEVE SPRING.  
USING M578 FORCE GAGE.  
MINIMUM FORCE: 125 GRAMS
  - FREQUENCY OF IN-PROCESS CHECKS BY PRODUCTION ON A PERCENTAGE BASIS:  
NOTE 1 (a) : 100%  
NOTE 1 (b) : 5%  
NOTE 4 : 1%
  - HEX NUT AND FLAT WASHER SHIPPED UNASSEMBLED.
  - THESE ASSEMBLIES ARE RoHS COMPLIANT.



PART NUMBER	PART REV	CENTER PIN/JACK SIZE REF
PC712A	H	0.10 [2.5 mm]
PC722A	H	0.080 [2.0 mm]
PC732A	H	0.05 [1.3 mm]

☆ STAR SYMBOL DENOTES CRITICAL DIMENSION UNLESS OTHERWISE SPECIFIED 1. ALL DIMENSIONS IN INCHES - TWO PLACE DECIMALS ±0.01 - THREE PLACE DECIMALS ±0.005 - ANGLES ±1° - ALL DIA. CONCENTRIC WITHIN 0.005 T.I.R. 2. FEATURES ON THE SAME CENTERLINE MUST BE ALIGNED WITHIN ±0.002 3. REMOVE ALL BURRS				THIS DRAWING DESCRIBES A DESIGN CONSIDERED PROPRIETARY IN NATURE, DEVELOPED AND MANUFACTURED BY SWITCHCRAFT INC. AND IS RELEASED ON A CONFIDENTIAL BASIS FOR IDENTIFICATION PURPOSES ONLY.			
SIZE	WIDTH	MULT	LBS/M	TEMPER	MATERIAL SPEC No. <b>Switchcraft®</b>		
FINISH	FIRST USED ON		SCALE 4:1				
DATE DRAWN	BY	CHKD	APVD				
07/09/21	PC	PC	TJK				
NAME			POWER JACKS STRAIGHT PC, RoHS		PART No. PC712A PC722A PC732A		
REVISIONS				DO NOT SCALE DRAWING	SHEET 1 OF 1 REV H		