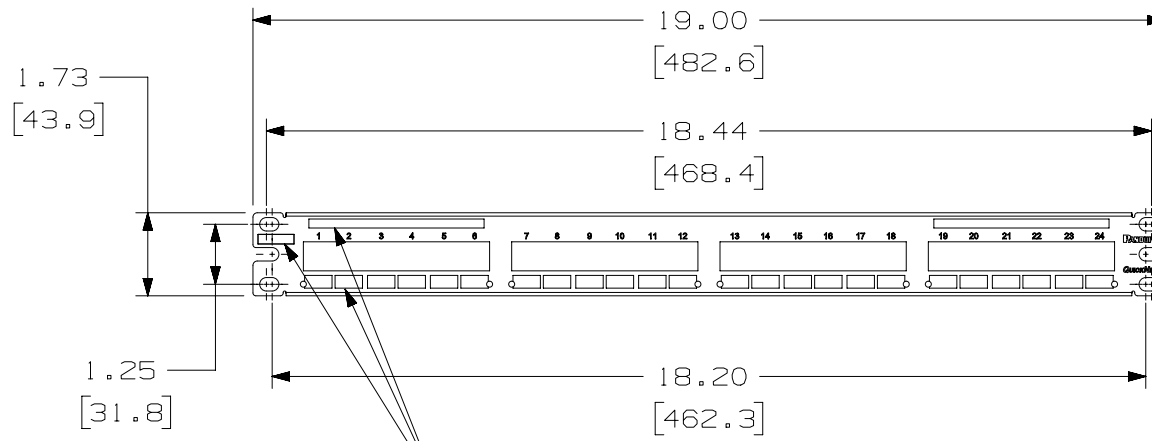
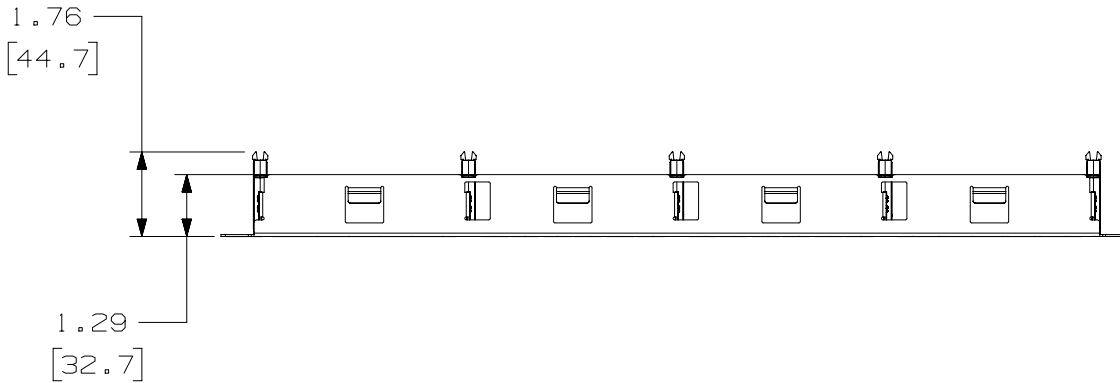


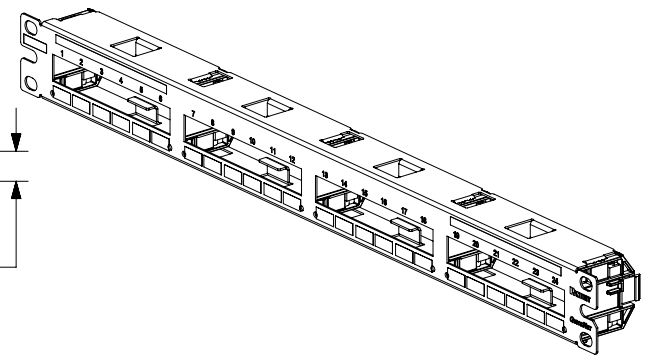
THIS COPY IS PROVIDED ON A RESTRICTED BASIS AND IS NOT TO BE USED IN ANY WAY DETRIMENTAL TO THE INTERESTS OF PANDUIT CORP.

PANDUIT PART NO.	WEIGHT (APPOX.)
QPP24BL	0.75 lbs (340.2 g)
QPP24WH	0.75 lbs (340.2 g)



PRINTED RECTANGLES NOT INCLUDED WITH QPP24WH

- NOTES:
- SEE CURRENT CATALOG FOR VARIOUS APPLICATIONS.
 - THE PATCH PANEL IS DESIGNED FOR MOUNTING TO 19" UNIVERSAL RACKS.
 - DIMENSIONS IN BRACKETS ARE IN METRIC.
 - PART INCLUDES:
 - 1- METAL STAMPING WITH SLIDE GUIDES
 - 1- SCREW KIT (INCLUDES FOUR #12-24 SCREWS)
 - 1- SCREW KIT (INCLUDES FOUR M6 SCREWS)
 - QPP24BL IS BLACK WITH WHITE SILKSCREENING. QPP24WH IS WHITE WITH BLACK SILKSCREENING.



PART NUMBER		QPP24BL/QPP24WH	
TITLE			
QUICKNET 24 PORT PATCH PANEL		CUSTOMER DRAWING	
ITEM REVISION NAME		M02582B0/16	
DATASET FILE NAME		M02582B0_DC17/16A	
UNLESS OTHERWISE SPECIFIED, DIMENSIONAL TOLERANCES ARE: IN [mm]		MATERIAL:	
.x ± .xxx ± .010 [.3]		PANEL: C.R.S.	
.xx ± .03 [.8]		GUIDES: ABS	
THIRD ANGLE PROJECTION		DRAWING NUMBER:	
02582-17		SHT 1 OF 1	
DRAWN BY	DATE	CHK	SCALE
MDJr	9-01-06	WFMI	NONE
REV	DATE	BY	CHK
3	12/19/17	BAME	KRKE
2	5/23/14	JSP	REFR
REV	DATE	BY	CHK
APR			
DESCRIPTION		ECN	
ADDED P/N QPP24WH		M09000HA	
REVISED AND REDRAWN, PREVIOUS REVISIONS HAVE BEEN OMITTED.		02582-17	

D101000DA/14