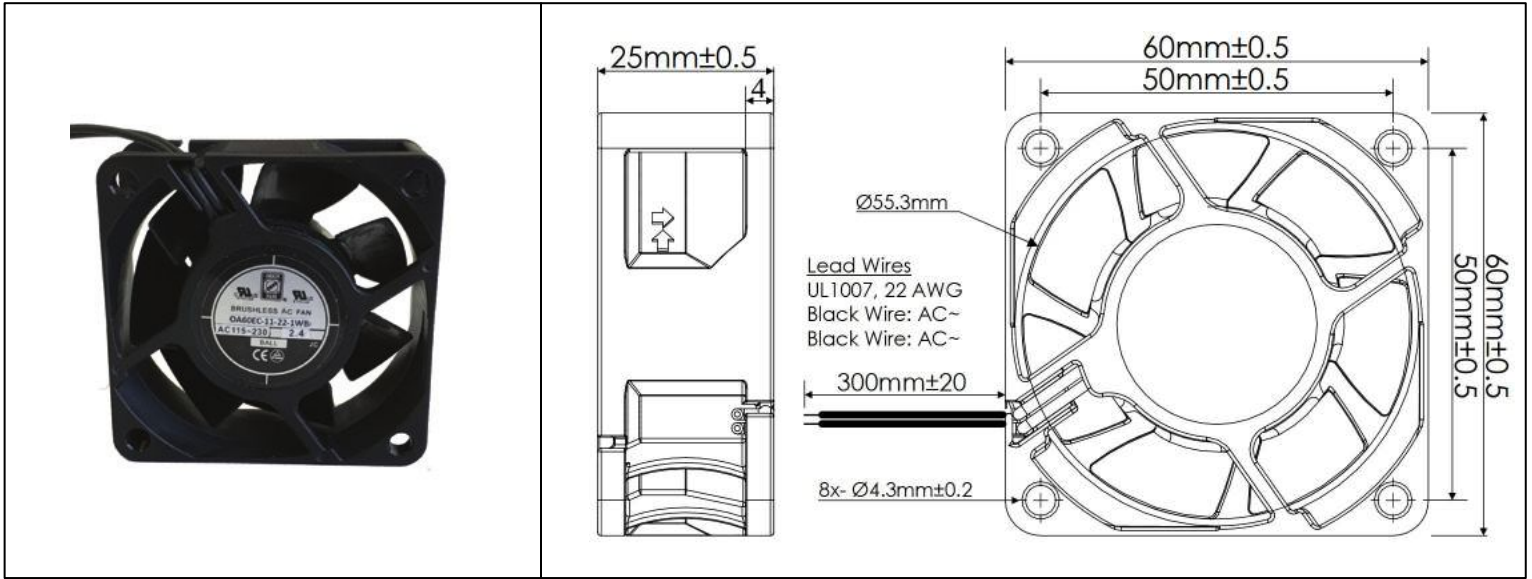


# OA60EC Series



EC Fan - Universal Voltage  
60mm x 25mm (2.36" x 1.00")



Frame	PBT, UL 94 V-0 Plastic	<u>Operating Temperature</u> -20°C ~ +65°C  <u>Storage Temperature</u> -20°C ~ +75°C  <u>Life Expectancy</u> 50,000 Hours (L10 at 40°C)  Weight: 0.14 lbs	
Impeller	PBT, UL 94 V-0 Plastic		
Connection	2x Wire Leads, 22 AWG		
Motor	AC-DC Energy Saving, Electronically Protected		
Bearing System	Ball Bearings		
Dielectric Strength	1500VAC/min, <1mA		
Insulation Resistance	≥10MΩ @ 500 VDC		

Part Number	OA60EC-UR-1WB
Rated Voltage (Volts AC)	115 / 230
Voltage Range (Volts AC)	95 ~ 265
Frequency (Hertz)	50 / 60
Input Power (Watts)	2.1 ~ 2.4
Locked Rotor Current (Amps)	0.09 / 0.05
Rated Speed (RPM)	3950
Max Airflow (CFM)	19.5
Noise Level (dBA)	31
Max Static Pressure (" H <sub>2</sub> O)	0.17