

Customer Information Sheet

DRAWING No.: M80-667XXXX

SHEET 2 OF 2

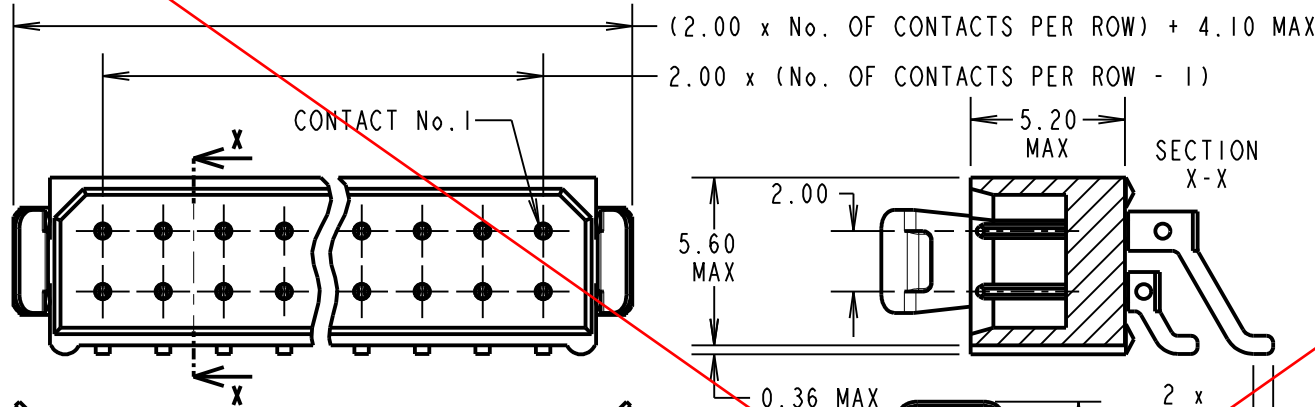
IF IN DOUBT - ASK

©

NOT TO SCALE

THIRD ANGLE PROJECTION

ALL DIMENSIONS IN mm



SPECIFICATIONS:

MATERIAL:
 MOULDING = GLASS-FILLED PPS, UL94V-0, BLACK
 CONTACT = BRASS
 LATCH = BERYLLIUM COPPER

FINISH:

CONTACT:
 22 = 0.75µ GOLD ON CONTACT AREA,
 3µm 90/10 TIN/LEAD ON TAILS
 42 = 0.75µ GOLD ON CONTACT AREA,
 3µm 100% TIN ON TAILS
 45 = 0.75µ GOLD OVER NICKEL
 LATCH = 1.25µ NICKEL

ELECTRICAL:

CURRENT RATING AT 25°C = 3.0A MAX
 CURRENT RATING AT 85°C = 2.2A MAX
 WORKING VOLTAGE = 800V AC/DC
 VOLTAGE PROOF = 1200V AC/DC
 CONTACT RESISTANCE = 25mΩ MAX
 INSULATION RESISTANCE = 100MΩ MIN

MECHANICAL:

DURABILITY = 500 OPERATIONS

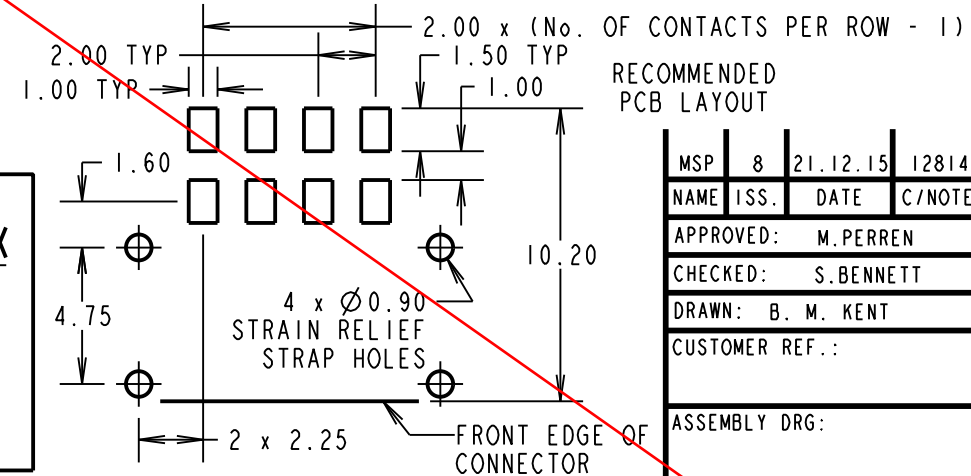
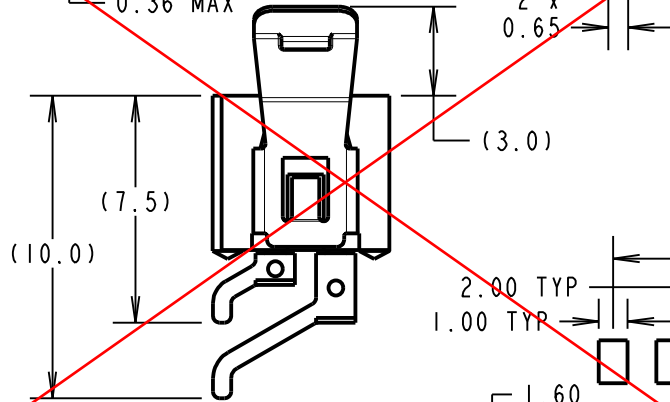
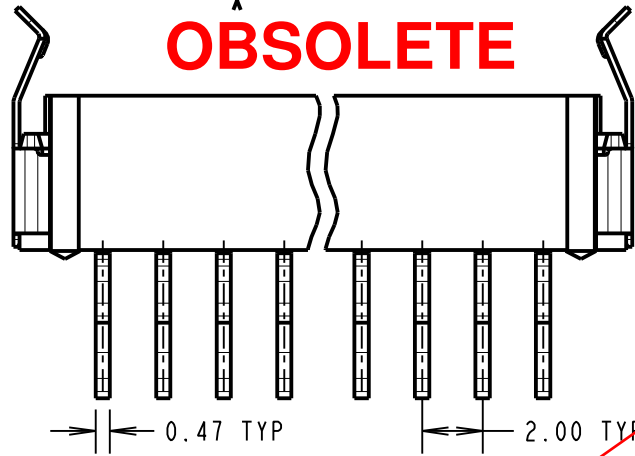
ENVIRONMENTAL:

TEMPERATURE RANGE = -55°C TO +125°C

PACKING:

TUBE, 2-OFF STRAIN RELIEF STRAPS PER CONNECTOR IN BAG
 FOR COMPLETE SPECIFICATION, SEE COMPONENT
 SPECIFICATION C005XX (LATEST ISSUE)

OBSOLETE

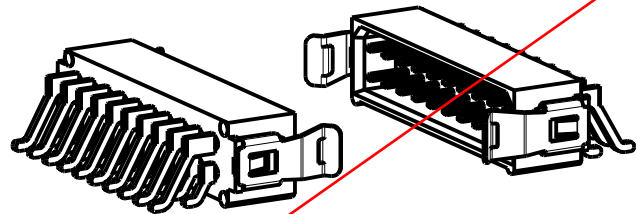


ORDER CODE:
M80-667XXXX

No. OF CONTACTS
 04, 06, 08, 10, 12, 14,
 16, 18, 20, 26, 34

FINISH
 22 - GOLD, 90/10 TIN/LEAD
 42 - GOLD, 100% TIN
 45 - ALL OVER GOLD

MSP	8	21.12.15	12814
NAME	ISS.	DATE	C/NOTE
APPROVED:		M.PERREN	
CHECKED:		S.BENNETT	
DRAWN:		B. M. KENT	
CUSTOMER REF.:			
ASSEMBLY DRG:			



HARWIN

www.harwin.com
 technical@harwin.com

THIS DRAWING AND ANY INFORMATION OR DESCRIPTIVE MATTER SET OUT HEREON ARE CONFIDENTIAL AND COPYRIGHT PROPERTY OF THE HARWIN GROUP AND MUST NOT BE DISCLOSED, LOANED, COPIED OR USED FOR MANUFACTURING, TENDERING OR FOR ANY OTHER PURPOSE WITHOUT THEIR WRITTEN PERMISSION.

TOLERANCES
 X. = ±1mm
 X.X = ±0.50mm
 X.XX = ±0.10mm
 X.XXX = ±0.01mm
 ANGLES = ±5°
 UNLESS STATED

MATERIAL:
 SEE ABOVE

FINISH: SEE ABOVE

S/AREA: mm²

TITLE: DATAMATE L-TEK
 MALE DIL HORIZONTAL SMT
 ASSEMBLY (FRICTION LATCH)

DRAWING NUMBER:
M80-667XXXX

SHT
 2 OF 2