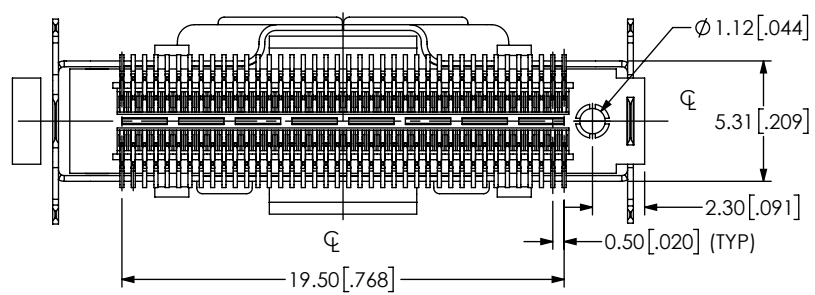
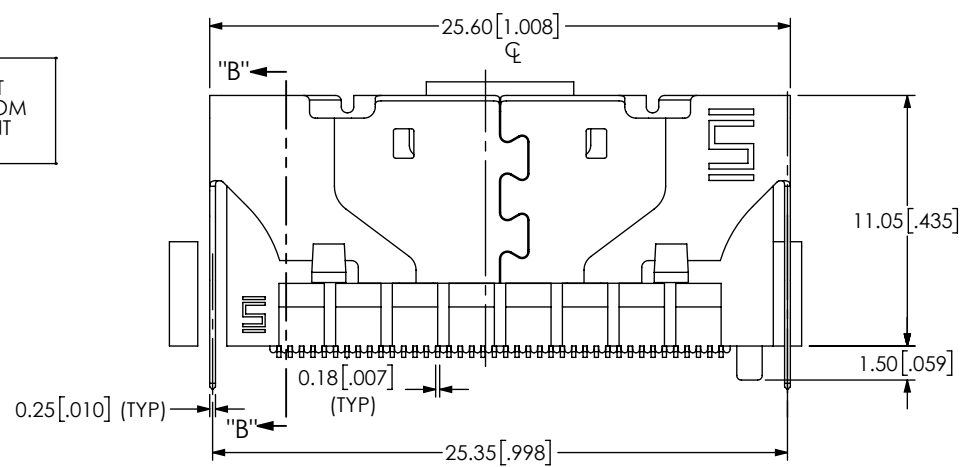


DO NOT SCALE FROM THIS PRINT



- NOTES:
- MATING CARD MUST HAVE LEAD-IN. SEE SAMTEC FOOTPRINT FOR SPECIFICATIONS.
  - FOR QUANTITIES UP TO 49 PCS., NO LEADER, TRAILER OR REEL WILL BE SUPPLIED.  
FOR QUANTITIES OF 50-124 PCS., NO LEADER OR TRAILER WILL BE SUPPLIED, SPLICES MAY BE PRESENT.
  - PARTS TO BE PACKAGED IN TAPE & REEL.
  - ORDERS WILL BE PACKAGED ACCORDING TO THE SAMTEC PACKAGING EFFICIENCY STANDARDS (SPES) FOUND ON WWW.SAMTEC.COM
  - ATTACH LABEL TO EACH REEL

FCDP-XX-XX-X-DV-XX-XX

- NO OF PAIRS  
-16: 16 PAIRS (TOTAL)
- CARD THICKNESS  
-01: FOR .062" THICK BOARD
- PLATING SPECIFICATION  
-L: 10μ" GOLD IN CONTACT AREA, MATTE TIN TAIL  
-S: 30μ" GOLD IN CONTACT AREA, MATTE TIN TAIL
- TAPE & REEL OPTION (SEE NOTE 4 & 5)  
BLANK: TAPE & REEL  
-FR: FULL REEL QTY TAPE & REEL
- OPTION  
-S1: LATCH OPPOSITE PIN 1 (SEE DETAIL 'A')  
-S2: LATCH TOWARD PIN 1 (SEE DETAIL 'D')
- ROW SPECIFICATION  
-DV: DOUBLE VERTICAL

DESIGNED AND DIMENSIONED IN MILLIMETERS [INCHES]  
ALL DIMENSIONS REFERENCE

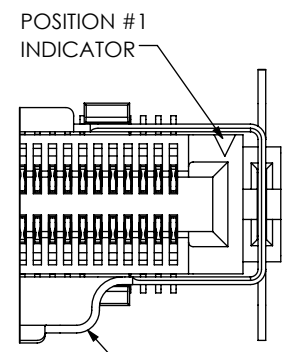
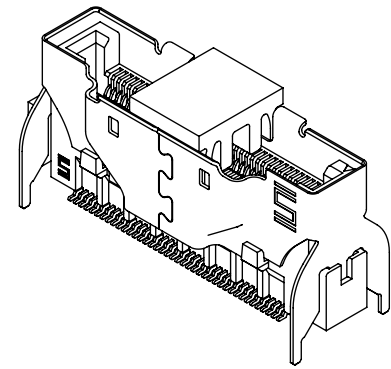
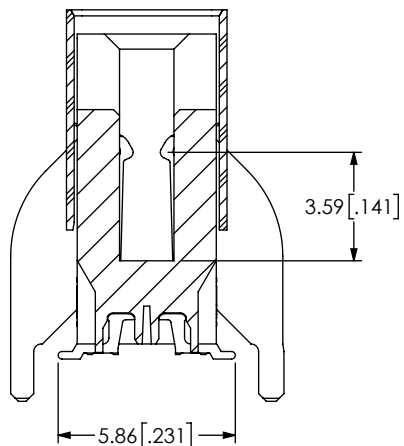


FIG 1  
FCDP-16-01-X-DV-S1 SHOWN

DETAIL 'A'

<p>PROPRIETARY NOTE</p> <p>THIS DOCUMENT CONTAINS CONFIDENTIAL AND PROPRIETARY INFORMATION AND ALL DESIGN, MANUFACTURING, REPRODUCTION, USE, PATENT RIGHTS AND SALES RIGHTS ARE EXPRESSLY RESERVED BY SAMTEC, INC. THIS DOCUMENT SHALL NOT BE DISCLOSED, IN WHOLE OR PART, TO ANY UNAUTHORIZED PERSON OR ENTITY NOR REPRODUCED, TRANSFERRED OR INCORPORATED IN ANY OTHER PROJECT IN ANY MANNER WITHOUT THE EXPRESS WRITTEN CONSENT OF SAMTEC, INC.</p>		<p><b>samtec</b></p> <p>520 PARK EAST BLVD, NEW ALBANY, IN 47150 PHONE: 812-944-6733 FAX: 812-948-5047 e-Mail: info@SAMTEC.com code 55322</p>
<p>DO NOT SCALE DRAWING</p> <p>MATERIAL: INSULATOR: LCP, UL 94 V0, COLOR: BLACK CONTACT: Cu ALLOY SHIELD: Cu ALLOY</p>	<p>DESCRIPTION: <b>0.5mm HIGH SPEED EDGE CARD ASSEMBLY</b></p> <p>DWG. NO. <b>FCDP-XX-XX-X-DV-XX-XX</b></p>	
<p>F:\DWG\MISC\WKTG\FCDP-XX-XX-X-DV-XX-XX-MKT.SLDDRW</p>		<p>BY: JOE Z      07/20/2017      SHEET 1 OF 2</p>



SECTION "B"-"B"  
SCALE 4 : 1

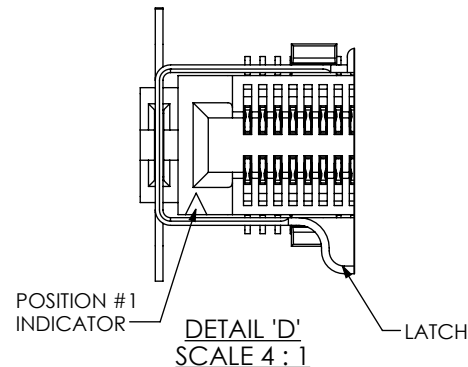
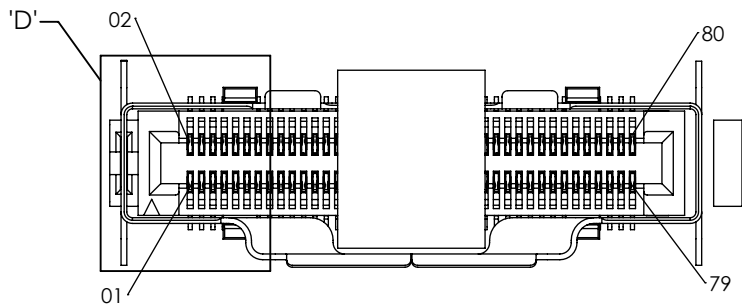
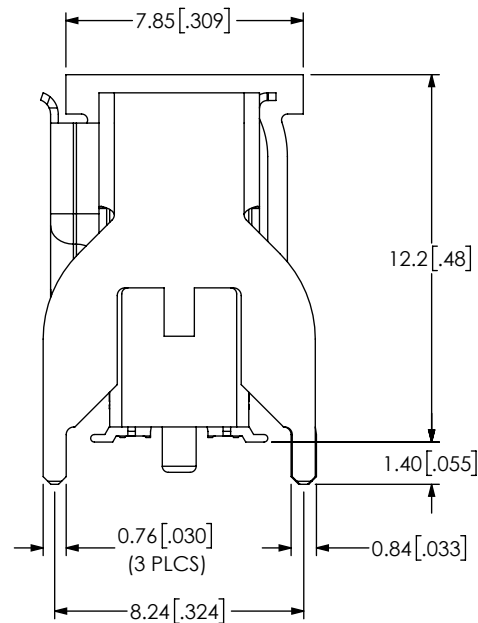
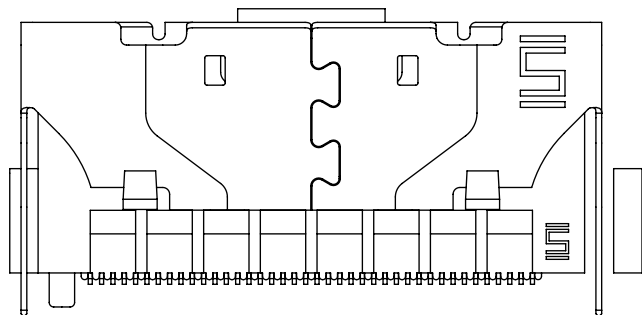


FIG 2  
FCDP-16-01-X-DV-S2 SHOWN  
(DIFFERENT AS SHOWN, OTHERWISE SAME AS FIG 1)



<p>PROPRIETARY NOTE</p> <p>THIS DOCUMENT CONTAINS CONFIDENTIAL AND PROPRIETARY INFORMATION AND ALL DESIGN, MANUFACTURING, REPRODUCTION, USE, PATENT RIGHTS AND SALES RIGHTS ARE EXPRESSLY RESERVED BY SAMTEC, INC. THIS DOCUMENT SHALL NOT BE DISCLOSED, IN WHOLE OR PART, TO ANY UNAUTHORIZED PERSON OR ENTITY NOR REPRODUCED, TRANSFERRED OR INCORPORATED IN ANY OTHER PROJECT IN ANY MANNER WITHOUT THE EXPRESS WRITTEN CONSENT OF SAMTEC, INC.</p>		
	<p>520 PARK EAST BLVD, NEW ALBANY, IN 47150 PHONE: 812-944-6733 FAX: 812-948-5047 e-Mail: info@SAMTEC.com code 55322</p>	
	<p>DESCRIPTION: 0.5mm HIGH SPEED EDGE CARD ASSEMBLY</p>	<p>DWG. NO. FCDP-XX-XX-X-DV-XX-XX</p>
<p>SHEET SCALE: 6:1</p>	<p>BY: JOE Z</p>	<p>07/20/2017 SHEET 2 OF 2</p>