

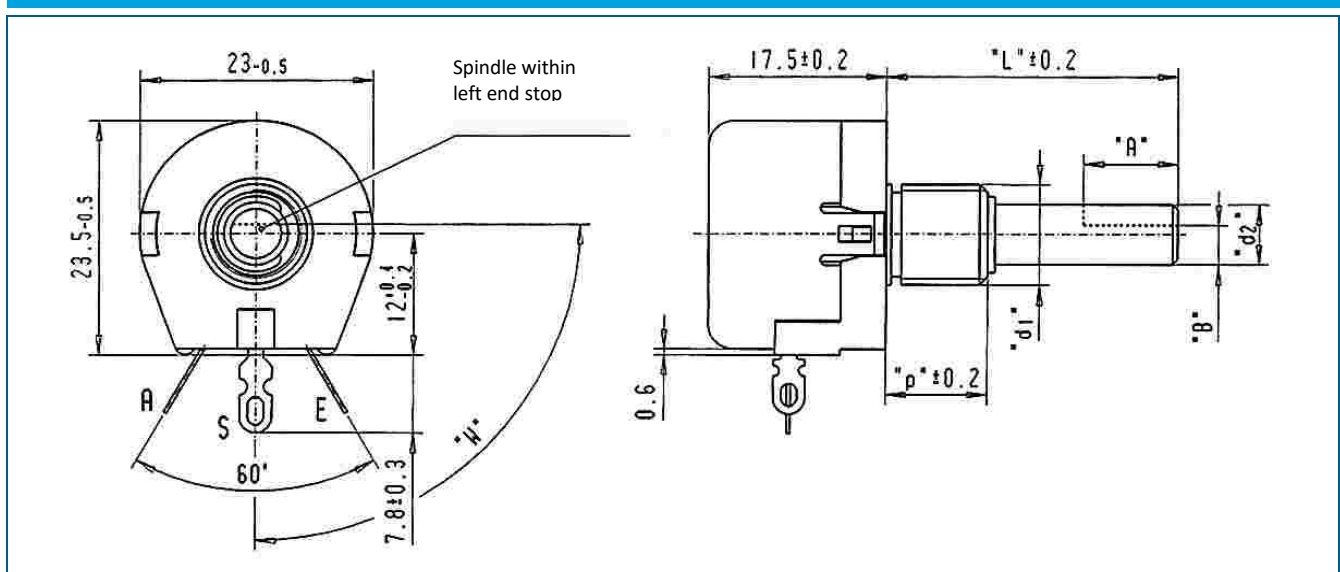
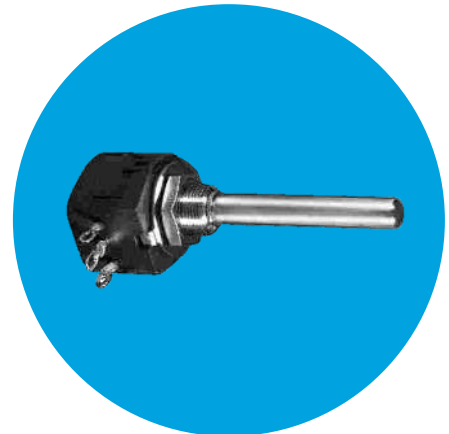
Wirewound rotary

Series ABW 1

Type ABW 1

Ordering code no.: 31 096

Basic design: encased, nominal width 23 mm, solder tag terminals



Technical data

Rated resistance range	5 Ω - 22 kΩ	Temperature range	-40 °C to +90 °C
Resistance tolerance	± 10 % (< 10 Ω ± 20 %) on request ± 5 %	Insulation resistance	1 GΩ
Law (resistance taper)	lin (lg on request)	Electrical travel	265° ± 5°
Independent linearity	± 2 % (on request ± 1 %)	Mechanical travel	285° ± 5° on request 270° ± 5°
Rated dissipation	1 W / 40 °C	Operating torque	0.8 - 3 Ncm
Limiting element voltage	300 V	Endstop torque	100 Ncm
Isolation voltage	1 kV ~	Durability	10 000 cycles

Spindles
 - Metal or plastic moulded (see table)
 - End of spindle according to customer specification (length, flat)

l (mm)	p (mm)	d ₂ (mm)	d ₁
standard 50	10, on request 5	6	M10 x 0,75