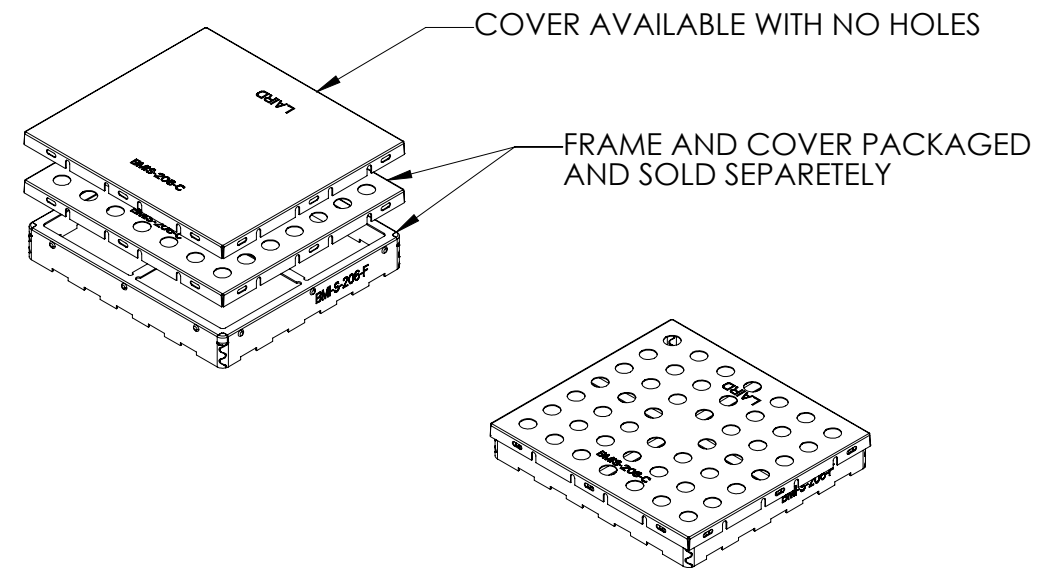
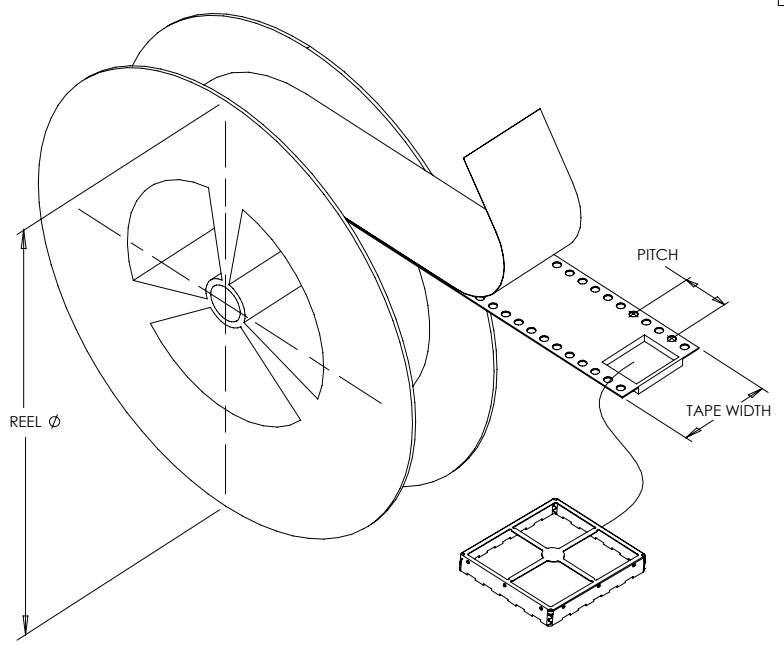
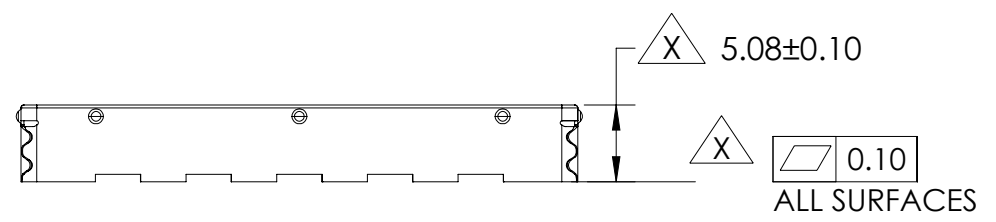
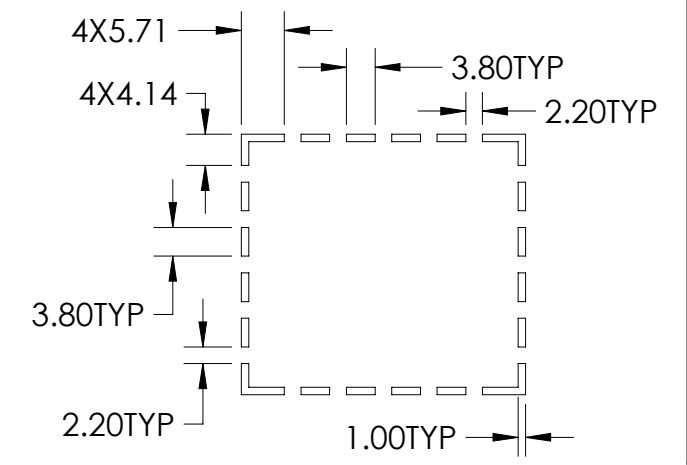
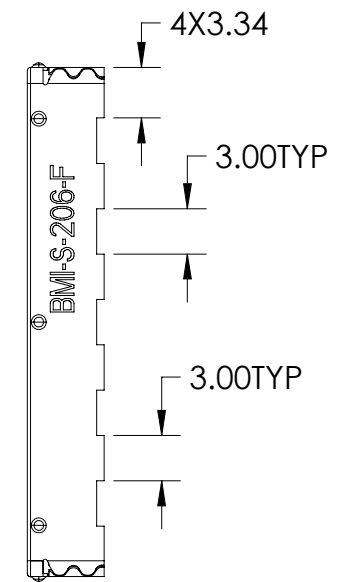
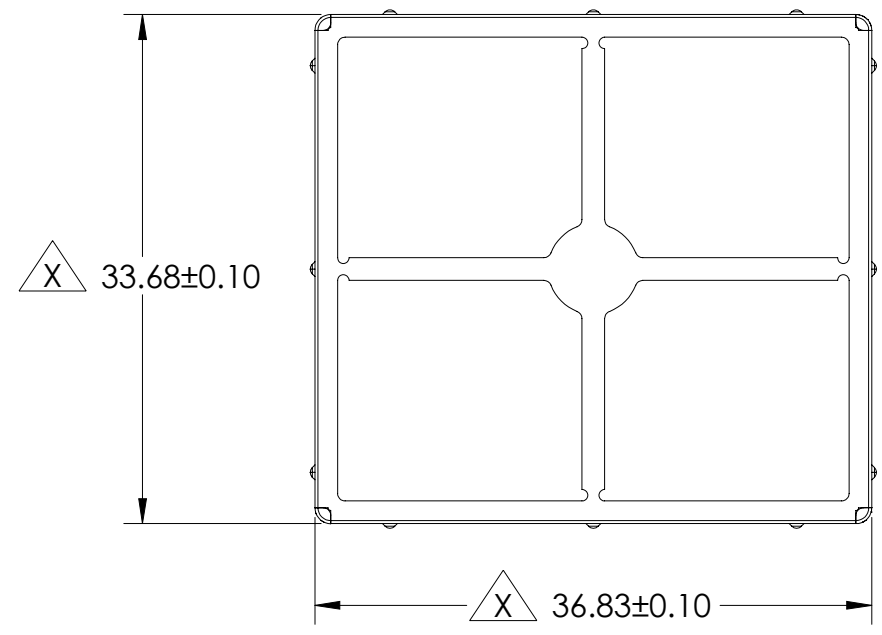
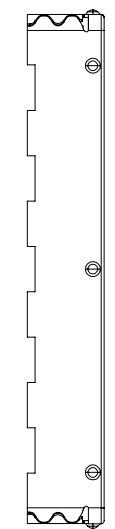
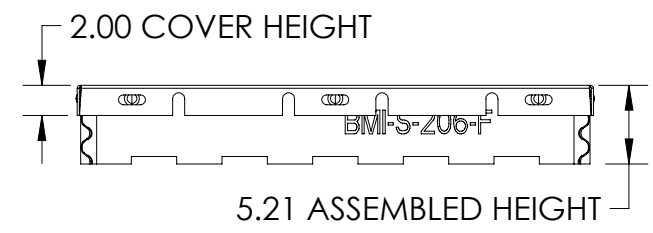
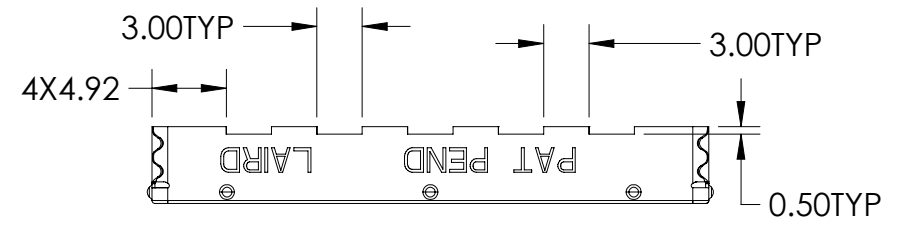


| FUNCTION | PART NUMBER | MATERIAL/FINISH | PACKAGING | | | |
|----------|------------------------------------|--|---------------|------------|-------|----------|
| FRAME | BMI-S-206-F | .20MM 1008/1010 PRE-PLATED COLD ROLLED STEEL 1/2 HARD 1.25-5.00 MICRONS 100% MATTE TIN | TAPE AND REEL | | | |
| | | | REEL DIAMETER | TAPE WIDTH | PITCH | QUANTITY |
| COVER | BMI-S-206-C OR BMI-S-206-CNH | .13MM 1008/1010 PRE-PLATED COLD ROLLED STEEL 1/2 HARD 1.25-5.00 MICRONS 100% MATTE TIN | 381MM | 56MM | 40MM | 300 |
| | | | BULK PACK | | | |



- NOTES:
- OTHER MATERIAL OPTIONS MAY BE AVAILABLE, CONSULT SALES
 - OTHER PACKAGING OPTIONS MAY BE AVAILABLE, CONSULT SALES



PART MARKING ON SIDES IS NOT INTENDED TO BE RELEVANT TO PART ORIENTATION IN CARRIER TAPE.

CRITICAL DIMENSIONS ARE DESIGNATED BY X

US PATENT 7488902

| | | | | | |
|--|------------------------|---|-------------------|--|---------------|
| | | PART DESCRIPTION: BOARD LEVEL SHIELD | | LAIRD PART NUMBER: BMI-S-206-SALES | |
| | | CUSTOMER: LAIRD CATALOG | | | |
| 3RD ANGLE PROJECTION | DESIGNED IN SOLIDWORKS | PROGRAM NAME: STANDARDS | MODEL BY: AT | DATE: 07/14/20 | REV: SALES |
| SCALE: 2:1 | SHEET 1 OF 1 | CUSTOMER PART NUMBER: N/A | APPROVED BY: X | DATE: XX/XX/XXXX | |
| <small>INFORMATION CONTAINED IN THIS DOCUMENT IS CONFIDENTIAL AND PROPRIETARY TO LAIRD TECHNOLOGIES. IT MAY NOT BE DISCLOSED TO ANYONE WITHOUT WRITTEN AUTHORIZATION FROM LAIRD TECHNOLOGIES</small> | | | | | |