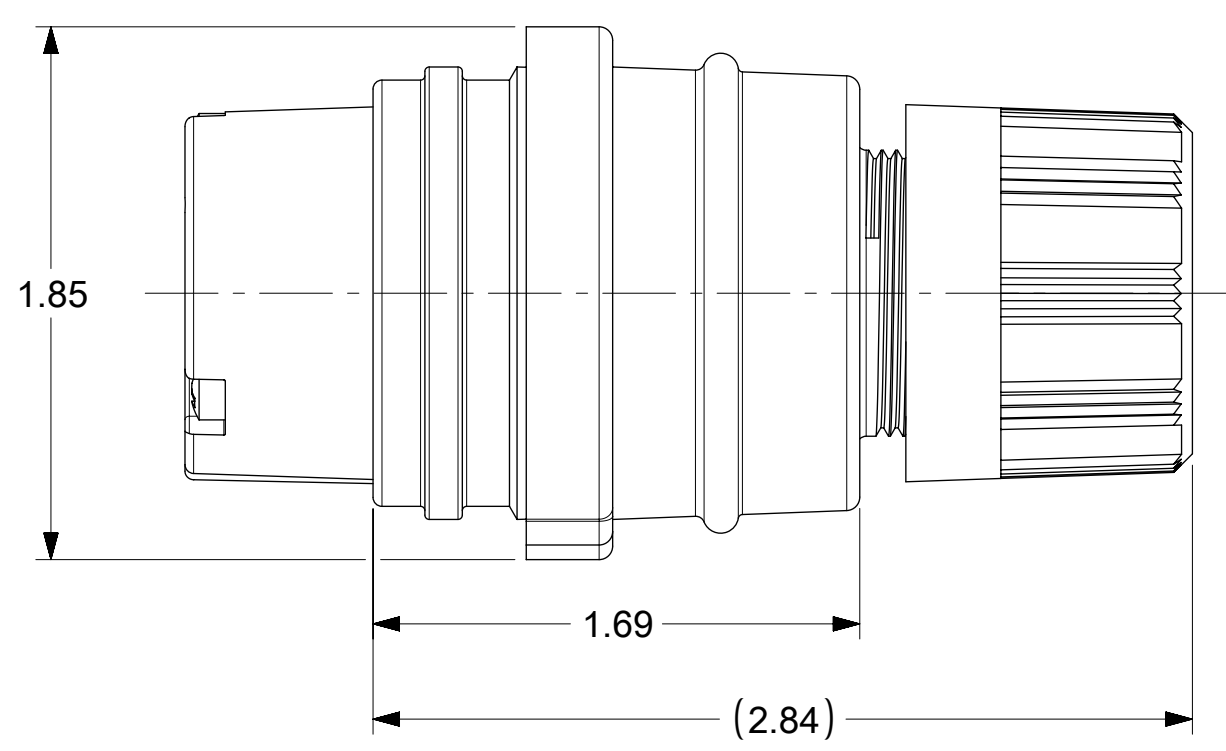
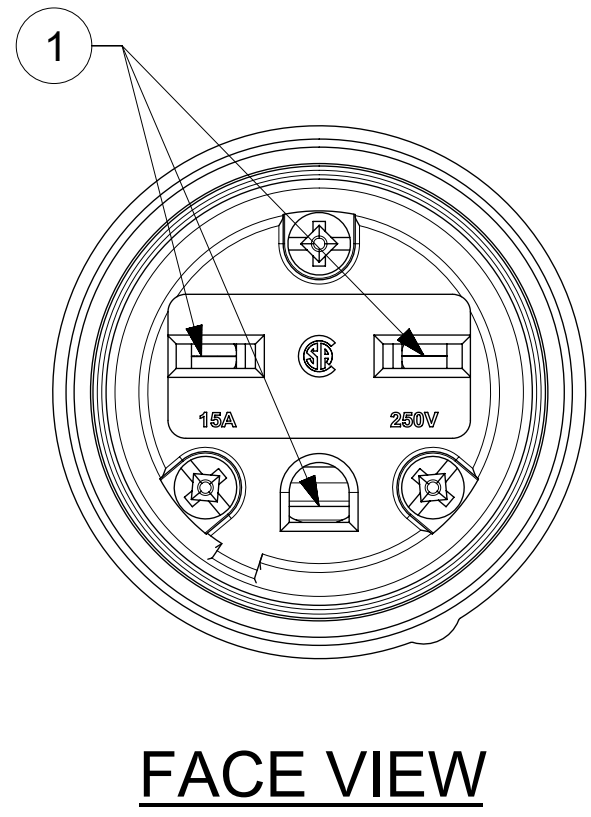
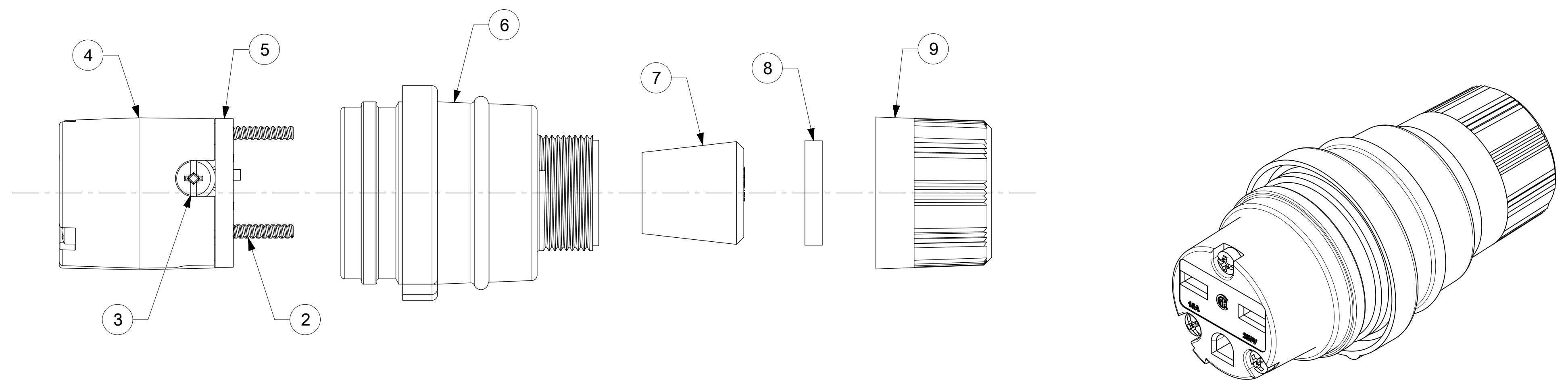


ORDER NO.	WOODHEAD NO.	COLOR
130146-0204	15W49MB-P	YELLOW



NOTES:
 1. SEE INSTRUCTION SHEET NUMBER 1301414770 FOR PRODUCT SPECIFICATION.
 2. CABLE RANGE FROM 0.375" TO 0.625"

ITEM NO.	DESCRIPTIONS	MATERIAL	QTY.
1	BLADES	BRASS	3
2	RETAINING SCREWS	STAINLESS STEEL	3
3	TERMINAL SCREWS	BRASS, ZINC PLATED	3
4	INSERT	NYLON	1
5	TERMINAL COVER	POLYCARBONATE	1
6	HOUSING	RUBBER WITH NYLON THREAD	1
7	GROMMETS	RUBBER	5
8	FRICTION RING	NYLON	1
9	COMPRESSION NUT	NYLON	1

SYMBOLS		THIS DRAWING CONTAINS INFORMATION THAT IS PROPRIETARY TO MOLEX ELECTRONIC TECHNOLOGIES, LLC AND SHOULD NOT BE USED WITHOUT WRITTEN PERMISSION		CURRENT REV DESC: RELEASED	
▽ = 0	DIMENSION UNITS	SCALE			
▽ = 0	INCH	NTS			
▽ = 0	GENERAL TOLERANCES (UNLESS SPECIFIED)				
▽ = 0	ANGULAR TOL	± 0.5°			
▽ = 0	4 PLACES	±			
▽ = 0	3 PLACES	± 0.005			
▽ = 0	2 PLACES	± 0.01			
▽ = 0	1 PLACE	± 0.02			
□ = 0	0 PLACES	±			
■ = 0	DRAFT WHERE APPLICABLE MUST REMAIN WITHIN DIMENSIONS				
▽ = 0	THIRD ANGLE PROJECTION				
		DRAWING	SERIES		
		C-SIZE	130146		
		EC NO: 613683			
		DRWN: ABABU01		2018/11/13	
		CHK'D: DNGUYEN62		2019/03/15	
		APPR: HKNEELAND		2019/03/21	
		INITIAL REVISION:			
		DRWN: ABABU01		2018/11/13	
		APPR: HKNEELAND		2019/03/21	
		DOCUMENT NUMBER		DOC TYPE	DOC PART REVISION
		1301460204		PSD	000 A
		MATERIAL NUMBER		CUSTOMER	SHEET NUMBER
		SEE TABLE		GENERAL MARKET	1 OF 1