

**Ratings**

Temperature: -40~70 °C  
Voltage: 150 V

**Conductor**

Gauge: 18 AWG 0.82 mm<sup>2</sup>  
Material: tinned copper strands  
Strand size:  $\varnothing 0.127 \times 65$   
Resistance at 20 °C: 23.2  $\Omega$  /km max

**Insulator**

Material: HDPE  
Color: blue, yellow, white, black, red  
Diameter:  $\varnothing 1.65 \pm 0.10$  mm  
Nominal thickness: 0.23 mm  
Resistance at 20 °C: 100 M $\Omega$  /km min

**Shield**

Type: spiral  
Material: tinned copper strands  
Stranding:  $\varnothing 0.08$  mm  
Coverage: 90 % min

**Outer jacket**

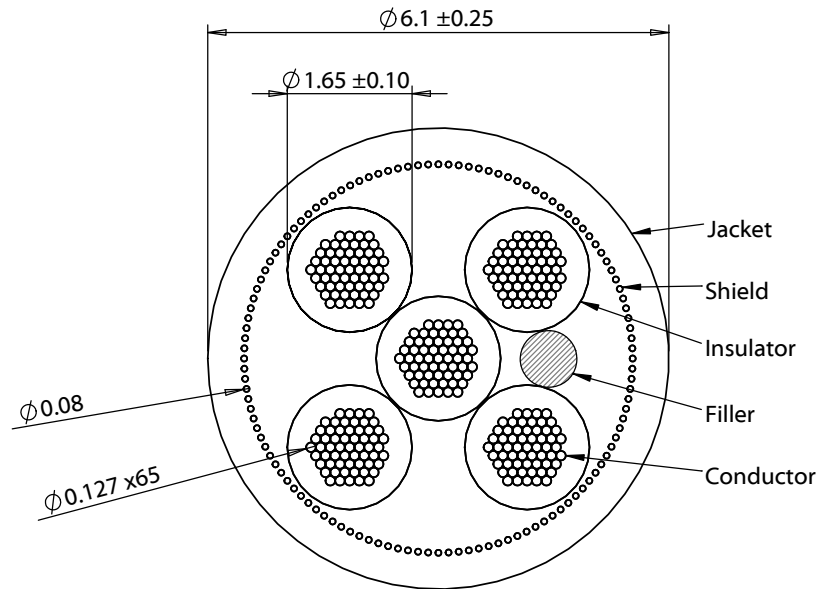
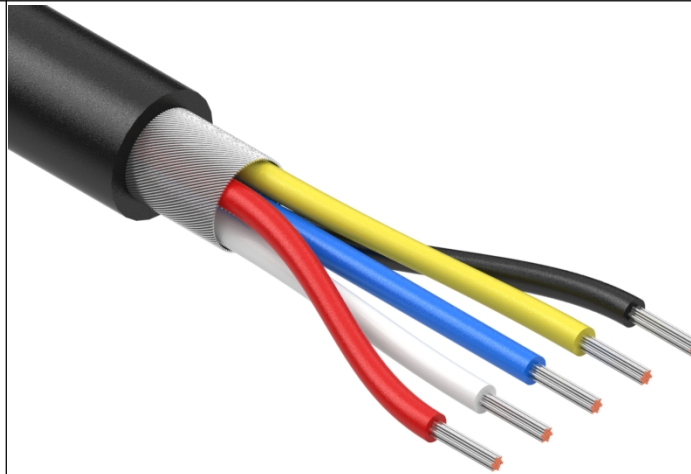
Material: TPU  
Color: black  
Nominal thickness: 0.74 mm  
Diameter:  $\varnothing 6.1 \pm 0.25$  mm

**Filler**

Material: aramid fiber

**Tests**

Tensile strength: 35.7 kgf min  
Dielectric test: 1500 V dc for 1 minute without breakdown  
Bend test at 200 g,  $\pm 90^\circ$ , 30 cycles /min: 15,000 cycle minimum



Revision:	Date:	Description:
A	3/24/2021	Initial release

Prepared:  
**AW**  
Digitally signed by AW  
Date: 2021.03.24  
11:20:55 -07'00'

Verified:  
**AG**  
Digitally signed by AG  
Date: 2021.03.24 16:57:56  
-07'00'

Dimensions are in millimeters.  
Tolerances:  
X:  $\pm 0.5$  mm  
X.X:  $\pm 0.3$  mm  
X.XX:  $\pm 0.05$  mm

Notes:

RoHS compliant  
Jacket meets ISO 10993 Biological Compatibility  
Phthalate and halogen free  
Function test: no open, no short, no intermittent

Description:  
Wire, 5C TS, 18 AWG, 150V, 70C, 6.1 mm, shielded, TPU, 75A, WBL

**TENSILITY**

tel 1.541.323.3228 800 877.670.7118  
fax 1.541.323.4202 web tensility.com

Size: A Part number: 30-01867

Scale: 10:1 Sheet 1 of 1