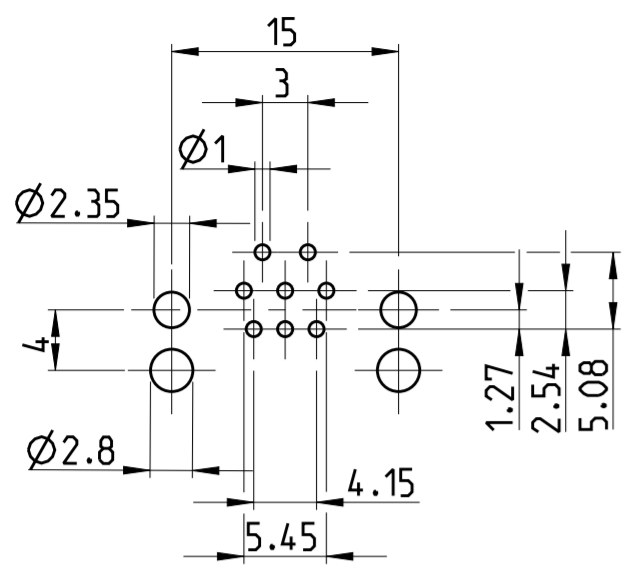


THIS DRAWING IS UNPUBLISHED. VERTRÄULICHE UNVERÖFFENTLICHTE ZEICHNUNG. RELEASED FOR PUBLICATION FREI FÜR VERÖFFENTLICHUNG. 2014. MATED WITH: PASSEND ZU: © COPYRIGHT 2014 Tyco Electronics AMP GmbH. ALL RIGHTS RESERVED. ALLE RECHTE VORBEHALTEN.

PROJEKT NR.: PRJ-11-000004377

REVISIONS		DATE	DWN	APVD
AENDERUNGEN	DESCRIPTION			
BESCHREIBUNG				
P	LTR			
	A	26MAY2015	TJ	PS

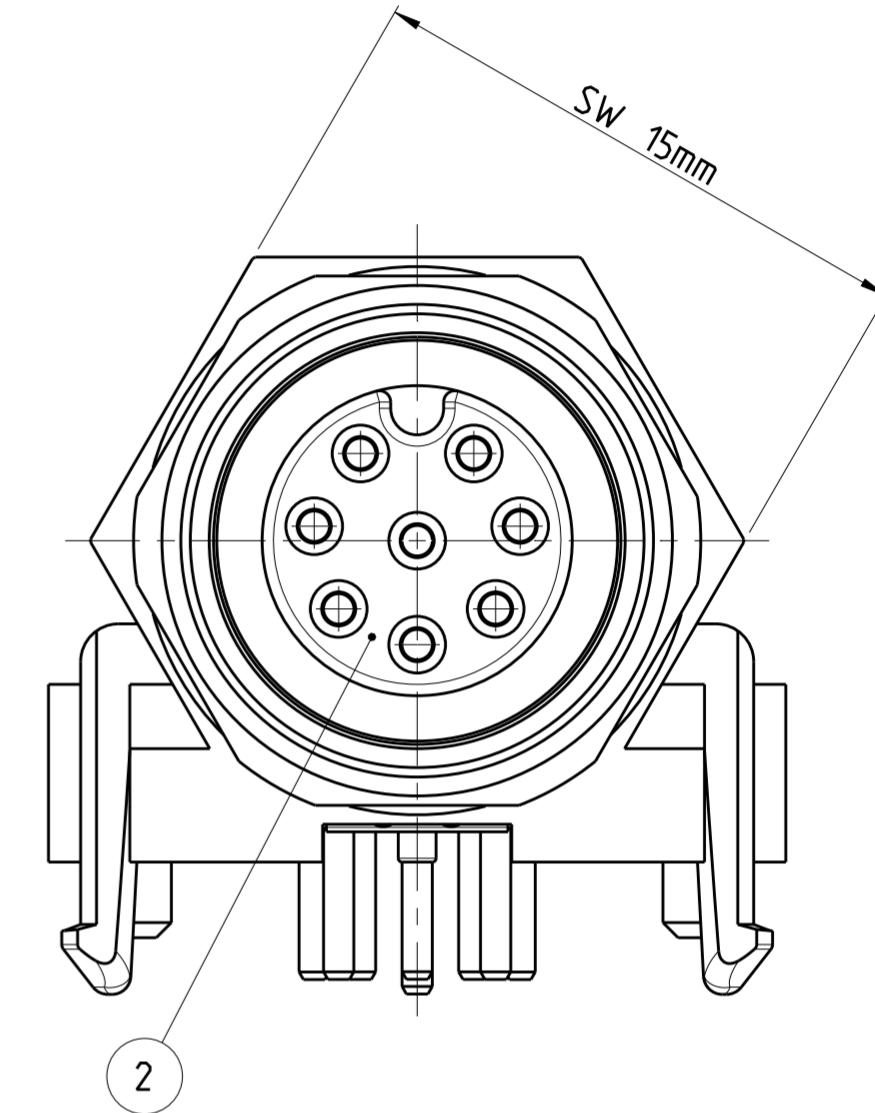
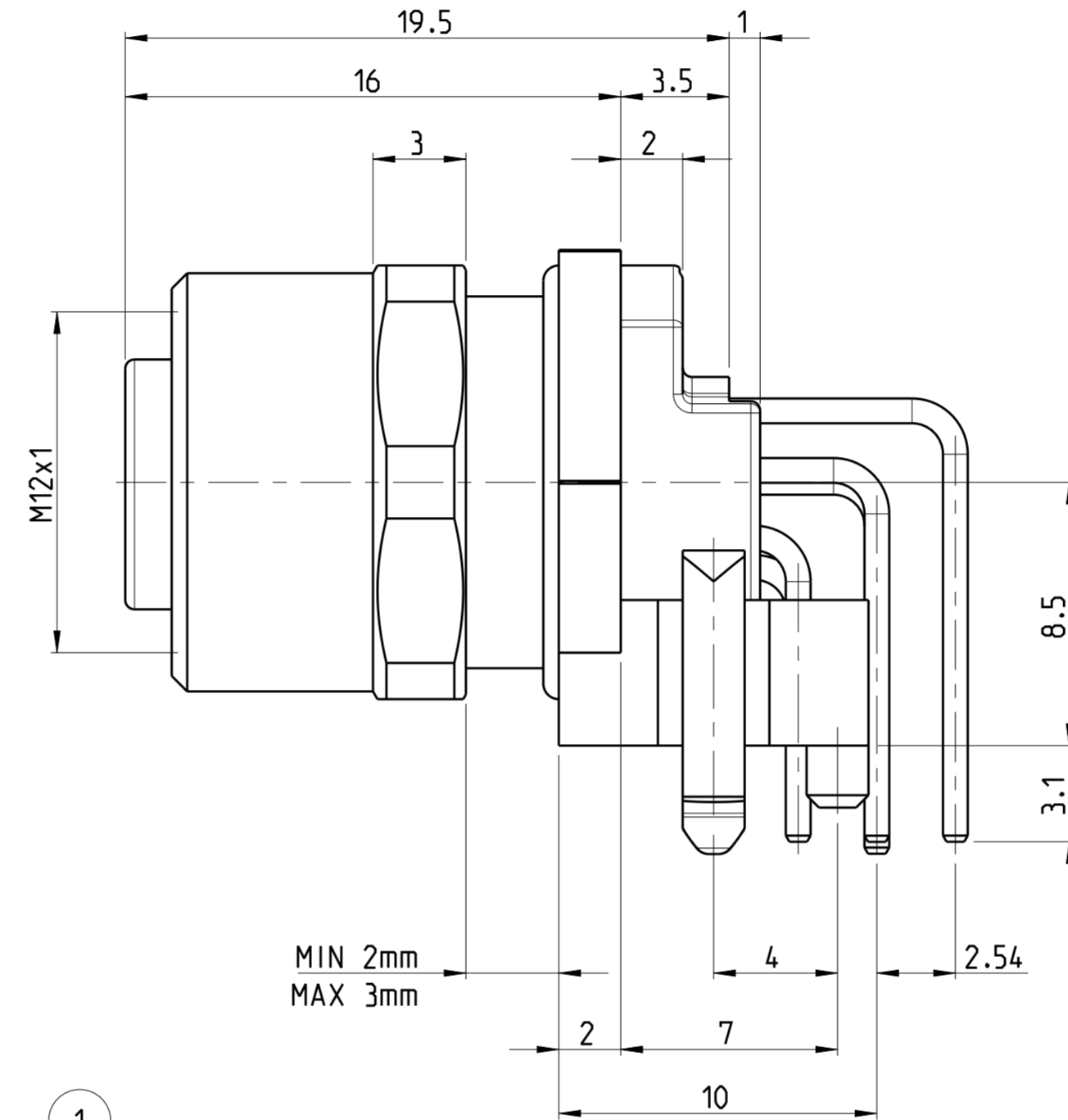
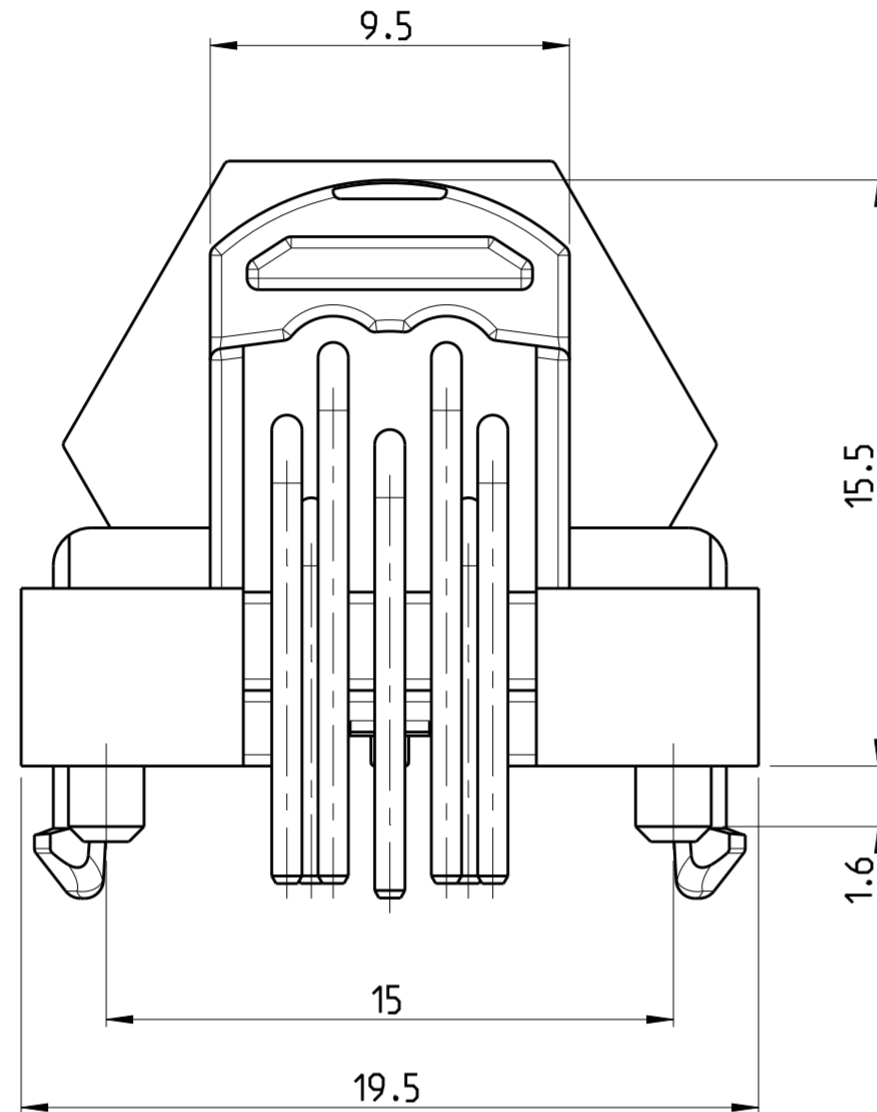
CONDUCTOR LAYOUT



- 1 MATERIAL: ITEM NO. 1: HOUSING - CuZn (BRASS NICKEL PLATED)
 ITEM NO. 2: CONTACT BODY - PA
 ITEM NO. 3: CONTACT - CuSn (BRONZE)
 CONTACT FINISH - Au (GOLD)

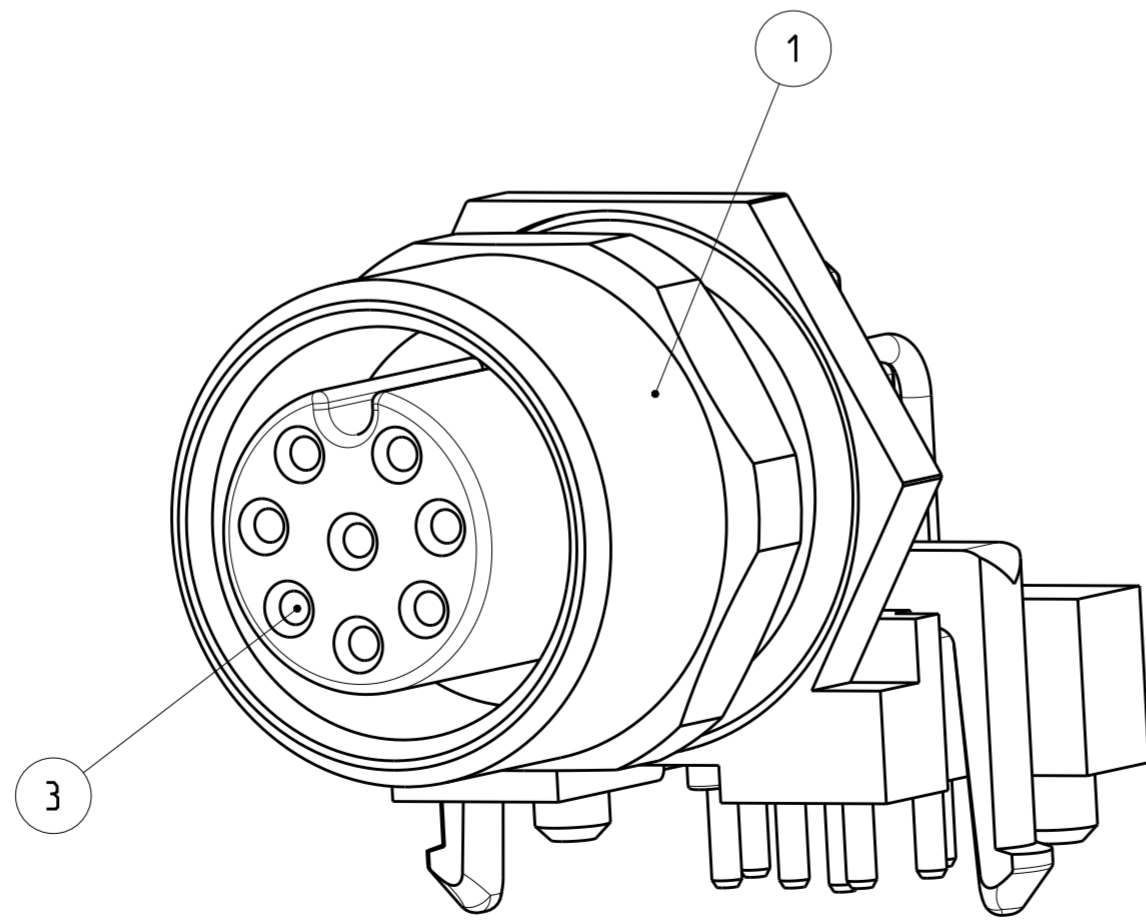
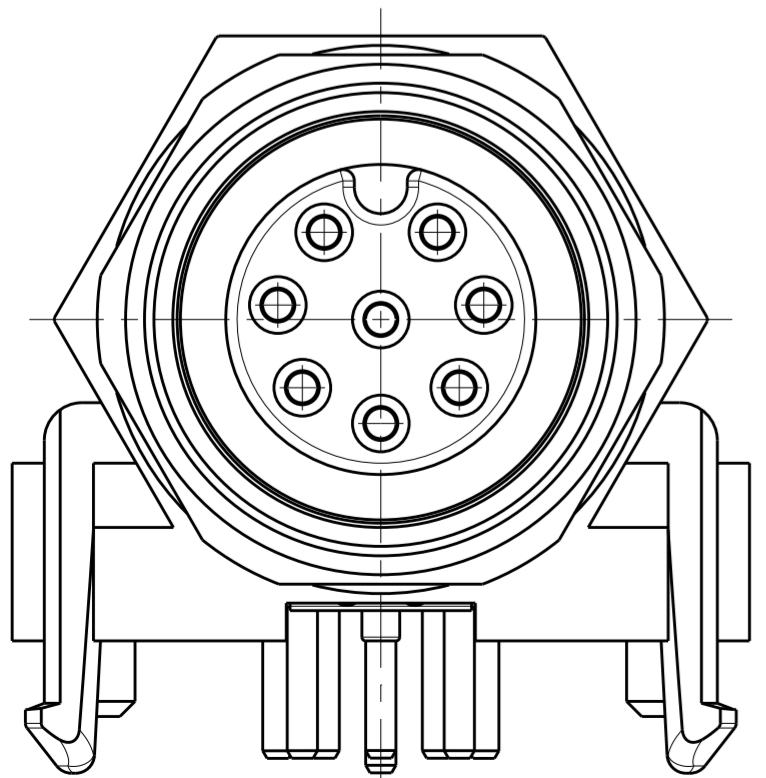
2 ALL DIMENSIONS ARE FOR NOMINAL REFERENCE ONLY UNLESS OTHERWISE STATED

TECHNICAL DATA	
	5-2172077-2
RATED VOLTAGE	60V
RATED IMPULSE VOLTAGE	800V
POLLUTION DEGREE	3
OVERVOLTAGE CATEGORY	II
MATERIAL GROUP	III
RATED CURRENT	2A
VOLUME RESISTIVITY	≤ 3mΩ
DEGREE OF PROTECTION	IP68
UPPER TEMPERATURE	+85 °C
LOWER TEMPERATURE	-40 °C



PIN ARRANGEMENT A-CODING

5-2172077-2



SIZE ISO 14405 (E)

DIESE ZEICHNUNG IST EIN KONTROLLIERTES DOKUMENT. BEMASSUNGEN UND TOLERANZEN GEMAESS GPS (ISO STANDARDS).		DWN YASHKUMAR 12SEP2014
THIS DRAWING IS A CONTROLLED DOCUMENT. DIMENSIONING AND TOLERANCING PER GPS (ISO STANDARDS).		CHK M. BRUBAKER 12SEP2014
DIMENSIONS: MASSEINHEITEN: (MM)	TOLERANCES UNLESS OTHERWISE SPECIFIED: ALLGEMEINTOLERANZEN	APVD M. BRUBAKER 12SEP2014
0 PLC ±	1 PLC ±	PRODUCT SPEC
1 PLC ±	2 PLC ±	108-19483
2 PLC ±	3 PLC ±	APPLICATION SPEC
3 PLC ±	4 PLC ±	114-32127
4 PLC ±	ANGLES/WINKEL ±	WEIGHT GEWICHT
	FINISH/OBERFLAECHE/FARBE	-
MATERIAL	SEE NOTES	Customer Drawing

⚠	8	5-2172077-2
MATERIAL	NUMBER OF POLES	TE-PART-NO.



M12 RECEPTACLE, MALE, PCB ASSEMBLY, ANGLED, UNSHIELDED, A CODED

SIZE A2	CAGE CODE 00779	DRAWING NO. ZEICHNUNGS-NR. C-2172077	RESTRICTED TO NUR FÜR -
SCALE MASSSTAB 5:1	SHEET BLATT 1 OF VON 1	REV A	