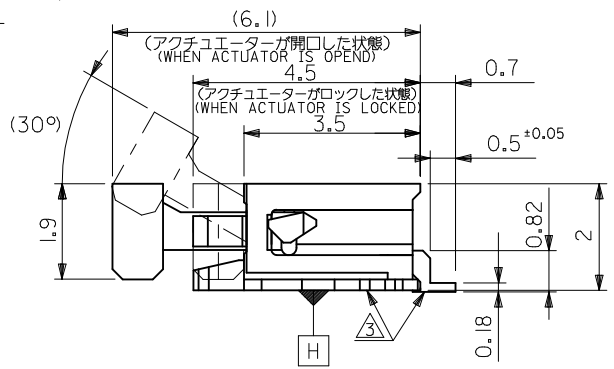


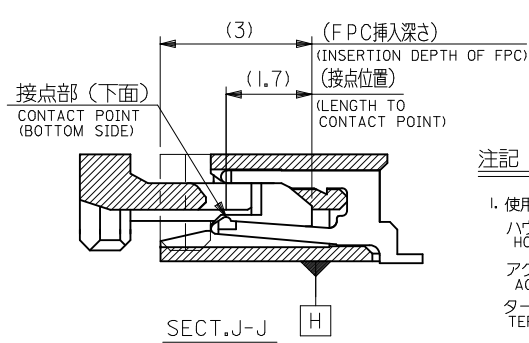
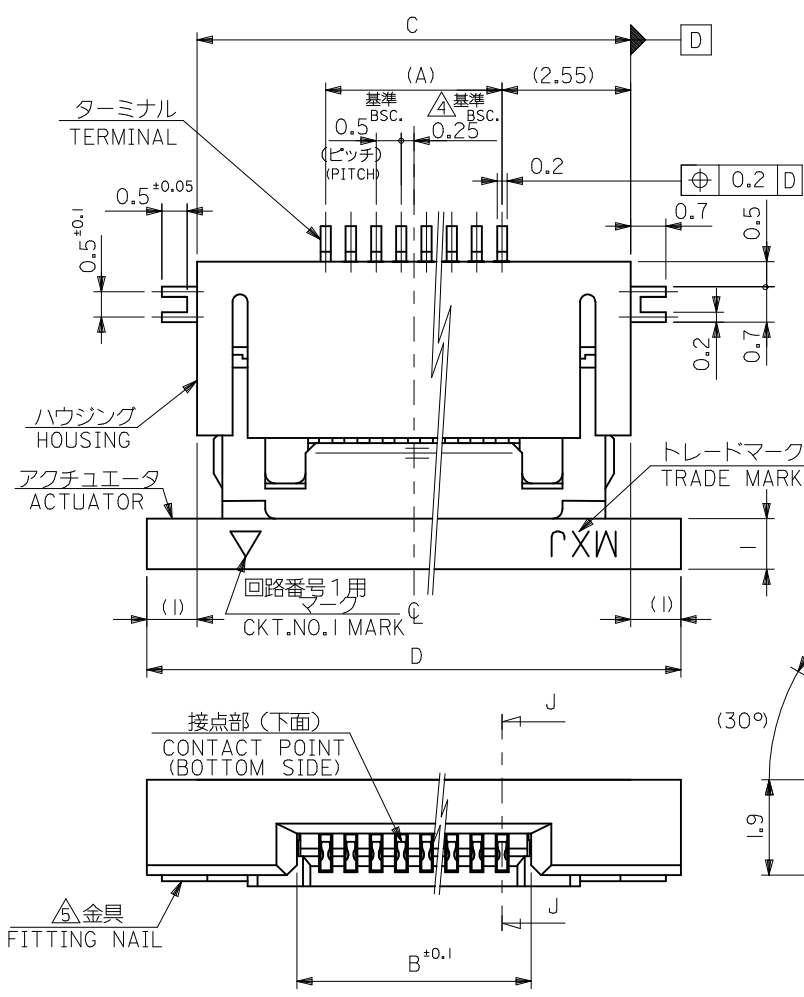
SECT. J-J (H)



注記 NOTES

- 1. 使用材料 : MATERIAL  
 ハウジング : 46ナイロン, UL94V-0  
 HOUSING 46NYLON  
 アクチュエータ : PPS, UL94V-0  
 ACTUATOR  
 ターミナル : リン青銅, 錫メッキ (t=0.2)  
 TERMINAL PHOS-BRO.TIN-PLATED  
 金具 : リン青銅, 錫メッキ (t=0.2)  
 FITTING NAIL PHOS-BRO.TIN-PLATED
- 2. インボステープ梱包時は、アクチュエータがロックした状態とする。  
 IN THE PACKAGE, ACTUATOR OF PART NO.52437-\*\*27 SHOULD BE LOCKED.
- △ ソルダータール半田付け面のズレ量、及び金具半田付け面のズレ量は、基準面 (H) に対し上方向 0.1 MAX. , 下方向 0.15MAX.とする。  
 MISALIGNMENT OF SOLDER TAILS AND FITTING NAILS FROM (H) UPPER DIRECTION: 0.1 MAX. , LOWER DIRECTION: 0.15MAX.
- △ 偶数種に適用。  
 APPLY FOR EVEN CIRCUIT.
- △ パターンはくり止め用金具。  
 FITTING NAIL FOR PREVENTION OF PEELING OF P.C.B. PATTERN.
- △ R0.3は、FPCの導体部にかからないこと。  
 R0.3 MUST NOT BE OVERLAPPED TO PATTERN OF FPC.
- 7. ソルダータールの平坦度は、0.1 MAXIMUMとする。  
 SOLDER TAIL COPLANARITY IS 0.1 MAXIMUM.

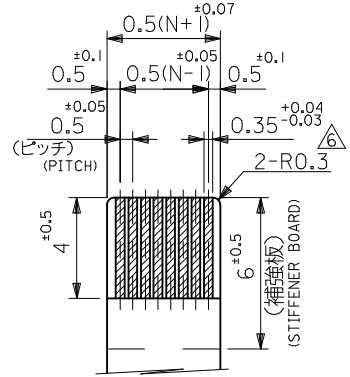
REVISED EC NO: J2014-1862 DRWN: JASUNUMA 2014/06/26 CHKD: TAKAHASHI 2014/06/26 APPR: YNOGAWA 2014/07/01	GENERAL TOLERANCES (UNLESS SPECIFIED)		DIMENSION STYLE MM ONLY		SCALE ---	DESIGN UNITS METRIC	THIRD ANGLE PROJECTION
	10 UNDER	± 0.2	DRAWN BY KNAGUMO	DATE 2013/07/16	TITLE 0.5 FPC CONN ZIF FOR SMT R/A(BOTTOM CONTACT)		
	10 OVER 30 UNDER	± 0.25	CHECKED BY KTAKAHASHI	DATE 2013/07/16			
	30 OVER	± 0.3	APPROVED BY YNOGAWA	DATE 2013/08/02			
ANGULAR ± 3 °		MATERIAL NO. SEE CHART		DOCUMENT NO. SD-52437-025		SHEET NO. 1 OF 2	
DRAFT WHERE APPLICABLE MUST REMAIN WITHIN DIMENSIONS		SIZE A3		THIS DRAWING CONTAINS INFORMATION THAT IS PROPRIETARY TO MOLEX INCORPORATED AND SHOULD NOT BE USED WITHOUT WRITTEN PERMISSION			



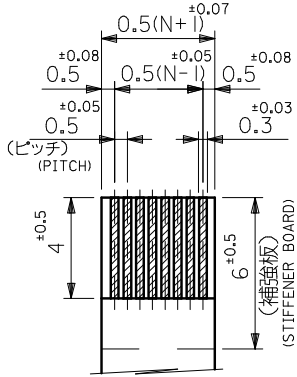
注記 NOTES

- 使用材料 : MATERIAL  
 ハウジング : 46ナイロン, UL94V-0 HOUSING 46NYLON  
 アクチュエータ : PPS, UL94V-0 ACTUATOR  
 ターミナル : リン青銅, 錫メッキ (t=0.2) TERMINAL PHOS-BRO.TIN-PLATED  
 金具 : リン青銅, 錫メッキ (t=0.2) FITTING NAIL PHOS-BRO.TIN-PLATED
- エンボステープ梱包時は、アクチュエータがロックした状態とする。  
 IN THE PACKAGE, ACTUATOR OF PART NO.52437-\*\*27 SHOULD BE LOCKED.
- △ソルダーテール半田付け面のズレ量、及び金具半田付け面のズレ量は、基準面 H に対し上方向 0.1 MAX. , 下方向 0.15MAX.とする。  
 MISALIGNMENT OF SOLDER TAILS AND FITTING NAILS FROM H UPPER DIRECTION: 0.1 MAX. , LOWER DIRECTION: 0.15MAX.
- △偶数種に適用。  
 APPLY FOR EVEN CIRCUIT.
- △パターンはくり止め用金具。  
 FITTING NAIL FOR PREVENTION OF PEELING OF P.C.B. PATTERN.
- △R0.3は、FPCの導体部にかからないこと。  
 R0.3 MUST NOT BE OVERLAPPED TO PATTERN OF FPC.
- △ソルダーテールの平坦度は、0.1 MAXIMUMとする。  
 SOLDER TAIL COPLANARITY IS 0.1 MAXIMUM.

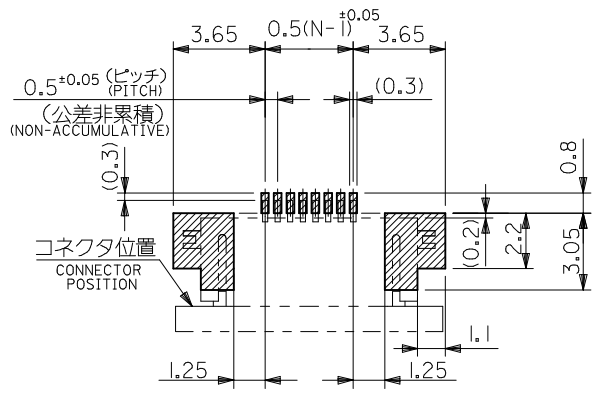
REVISED EC NO: J2014-1862 DRWN: JASUNUMA 2014/06/26 CHKD: KTAKAHASHI 2014/06/26 APPR: YNOGAWA 2014/07/01 REV A	GENERAL TOLERANCES (UNLESS SPECIFIED)		DIMENSION STYLE	SCALE	DESIGN UNITS	THIRD ANGLE PROJECTION
			MM ONLY	---	METRIC	
	DESCRIPTION	10 UNDER	±0.2	DRAWN BY	DATE	TITLE
		10 OVER 30 UNDER	±0.25	KNAGUMO	2013/07/16	0.5 FPC CONN ZIF FOR SMT R/A(BOTTOM CONTACT)
	30 OVER	±0.3	CHECKED BY	DATE		
	ANGULAR ±3 °		KTAKAHASHI	2013/07/16		
	DRAFT WHERE APPLICABLE MUST REMAIN WITHIN DIMENSIONS		APPROVED BY	DATE	<b>molex</b> DOCUMENT NO. SD-52437-025 SHEET NO. 1 OF 2	
			YNOGAWA	2013/08/02		
			MATERIAL NO.	SEE CHART		
			SIZE	THIS DRAWING CONTAINS INFORMATION THAT IS PROPRIETARY TO MOLEX INCORPORATED AND SHOULD NOT BE USED WITHOUT WRITTEN PERMISSION		



適合FPC推奨寸法  
 APPLICABLE FPC  
 RECOMMENDED DIMENSION.  
 (仕上がり厚さ: 0.3<sup>±0.05</sup>)  
 (THICKNESS: 0.3<sup>±0.05</sup>)



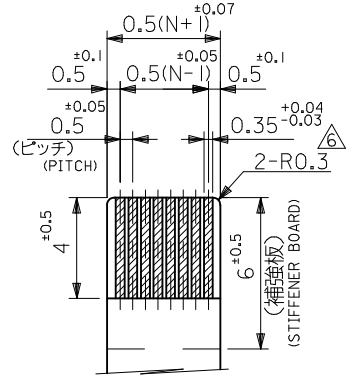
適合FPC推奨寸法  
 APPLICABLE FPC  
 RECOMMENDED DIMENSION.  
 (仕上がり厚さ: 0.3<sup>±0.05</sup>)  
 (THICKNESS: 0.3<sup>±0.05</sup>)



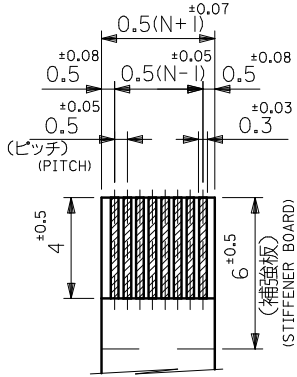
参考基板レイアウト  
 (マウント面)  
 RECOMMENDED P.C. BOARD  
 PATTERN DIMENSION (REF.)  
 (MOUNTING SIDE)

21.6	19.6	15.65	14.5	52437-3027	30
21.1	19.1	15.15	14.0	-2927	29
20.1	18.1	14.15	13.0	-2727	27
19.6	17.6	13.65	12.5	-2627	26
18.6	16.6	12.65	11.5	-2427	24
18.1	16.1	12.15	11.0	-2327	23
17.6	15.6	11.65	10.5	-2227	22
16.6	14.6	10.65	9.5	-2027	20
15.6	13.6	9.65	8.5	-1827	18
14.6	12.6	8.65	7.5	-1627	16
14.1	12.1	8.15	7.0	-1527	15
13.6	11.6	7.65	6.5	-1427	14
13.1	11.1	7.15	6.0	-1327	13
12.6	10.6	6.65	5.5	-1227	12
11.6	9.6	5.65	4.5	-1027	10
10.6	8.6	4.65	3.5	-0827	8
10.1	8.1	4.15	3.0	-0727	7
9.6	7.6	3.65	2.5	52437-0627	6
<b>D</b>	<b>C</b>	<b>B</b>	<b>(A)</b>	ENG. NO.	極数 CMT

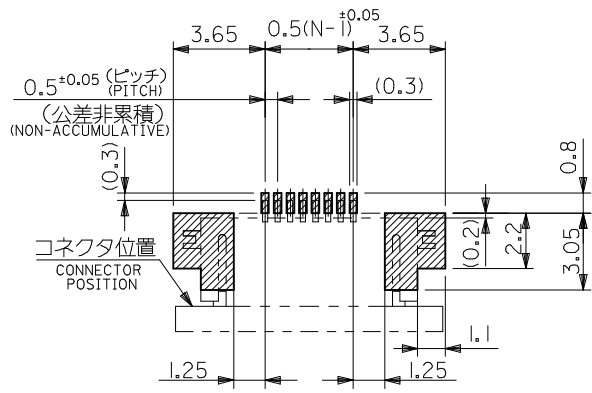
SEE SHEET 1 EC NO: J2014-1862 DRWN: JASANUMA 2014/06/26 CHKD: KTAKAHASHI 2014/06/26 APPR: YNOGAWA 2014/07/01	DESCRIPTION GENERAL TOLERANCES (UNLESS SPECIFIED)	DIMENSION STYLE <b>MM ONLY</b>		SCALE ---	DESIGN UNITS METRIC	TITLE 0.5 FPC CONN ZIF FOR SMT R/A(BOTTOM CONTACT)	
		10 UNDER ±0.2	DRAWN BY KNAGUMO	DATE 2013/07/16	THIRD ANGLE PROJECTION		
		10 OVER 30 UNDER ±0.25	CHECKED BY KTAKAHASHI	DATE 2013/07/16	MATERIAL NO.		
		30 OVER ±0.3	APPROVED BY YNOGAWA	DATE 2013/08/02	SEE CHART		
		ANGULAR ±3 ° DRAFT WHERE APPLICABLE MUST REMAIN WITHIN DIMENSIONS	SIZE A3		DOCUMENT NO. SD-52437-025		
REV A	THIS DRAWING CONTAINS INFORMATION THAT IS PROPRIETARY TO MOLEX INCORPORATED AND SHOULD NOT BE USED WITHOUT WRITTEN PERMISSION		SHEET NO. 2 OF 2		ENG. NO.		



適合FPC推奨寸法  
 APPLICABLE FPC  
 RECOMMENDED DIMENSION.  
 (仕上がり厚さ: 0.3<sup>±0.05</sup>)  
 (THICKNESS: 0.3<sup>±0.05</sup>)



適合FPC推奨寸法  
 APPLICABLE FPC  
 RECOMMENDED DIMENSION.  
 (仕上がり厚さ: 0.3<sup>±0.05</sup>)  
 (THICKNESS: 0.3<sup>±0.05</sup>)



参考基板レイアウト  
 (マウント面)  
 RECOMMENDED P.C. BOARD  
 PATTERN DIMENSION (REF.)  
 (MOUNTING SIDE)

21.6	19.6	15.65	14.5	52437-3027	30
21.1	19.1	15.15	14.0	-2927	29
20.1	18.1	14.15	13.0	-2727	27
19.6	17.6	13.65	12.5	-2627	26
18.6	16.6	12.65	11.5	-2427	24
18.1	16.1	12.15	11.0	-2327	23
17.6	15.6	11.65	10.5	-2227	22
16.6	14.6	10.65	9.5	-2027	20
15.6	13.6	9.65	8.5	-1827	18
14.6	12.6	8.65	7.5	-1627	16
14.1	12.1	8.15	7.0	-1527	15
13.6	11.6	7.65	6.5	-1427	14
13.1	11.1	7.15	6.0	-1327	13
12.6	10.6	6.65	5.5	-1227	12
11.6	9.6	5.65	4.5	-1027	10
10.6	8.6	4.65	3.5	-0827	8
10.1	8.1	4.15	3.0	-0727	7
9.6	7.6	3.65	2.5	52437-0627	6
<b>D</b>	<b>C</b>	<b>B</b>	<b>(A)</b>	ENG. NO.	極数 CKT

SEE SHEET 1 EC NO: J2014-1862 DRWN: JASUNUMA 2014/06/26 CHKD: TAKAHASHI 2014/06/26 APPR: YNOGAWA 2014/07/01	DESCRIPTION GENERAL TOLERANCES (UNLESS SPECIFIED) 10 UNDER ±0.2 10 OVER 30 UNDER ±0.25 30 OVER ±0.3 ANGULAR ±3 ° DRAFT WHERE APPLICABLE MUST REMAIN WITHIN DIMENSIONS	DIMENSION STYLE MM ONLY	SCALE ---	DESIGN UNITS METRIC	TITLE 0.5 FPC CONN ZIF FOR SMT R/A(BOTTOM CONTACT)  <b>molex</b> DOCUMENT NO. SD-52437-025 SHEET NO. 2 OF 2
		DRAWN BY KNAGUMO	DATE 2013/07/16	THIRD ANGLE PROJECTION	
		CHECKED BY KTAKAHASHI	DATE 2013/07/16	MATERIAL NO. SEE CHART	
		APPROVED BY YNOGAWA	DATE 2013/08/02	THIS DRAWING CONTAINS INFORMATION THAT IS PROPRIETARY TO MOLEX INCORPORATED AND SHOULD NOT BE USED WITHOUT WRITTEN PERMISSION	
REV A	REV A	SIZE A3			