

# AAP661X

## Electret Microphone (ECM) Pre-Amplifier w/Programmable Filter

PRELIMINARY DATA

### DESCRIPTION

The AAP661X ECM Pre Amplifiers were designed for the recent exclusive use of Plantronics, Inc. of Santa Cruz, CA for high end audio headset microphone applications. The AAP661X is now available for general sale to the audio microphone marketplace. The performance of this Pre-Amplifier is such that it enables design of enhanced end system products, due to its various gain options, ultra-low noise and other high performance features.

The AAP661X ECM Pre-Amplifier provides a number of performance advantages over prior ECM Pre-Amplifier products. Key features include ultra low input capacitance (0.35pF typical) and quiescent current (250 $\mu$ A typical), with ultra low equivalent input noise (1.9  $\mu$ V RMS to 2.5  $\mu$ V RMS, A-Weighted, with the microphone capacitor short circuited, gain version dependent). Additionally, the Pre-Amplifier sports a programmable high pass filter and DC output operation down to 1.23V. Other key features include THD performance below 0.5% maximum, output impedance of 25 $\Omega$  typical, with exceptionally high tolerance to RF interference and ESD tolerance (8kV).

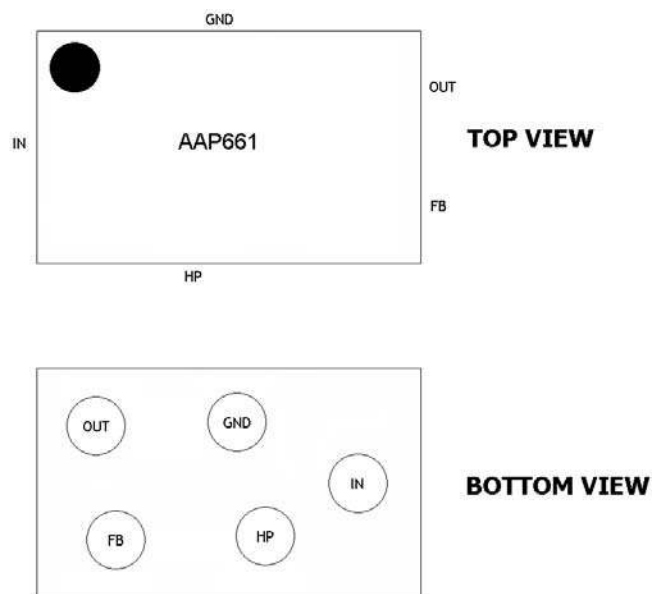
The AAP661X is offered with two gain options, 16dB and 19dB. Packaging is bumped chip scale SMD configuration with a size of 930 $\mu$ m x 580 $\mu$ m and an overall thickness of 320 $\mu$ m (including solder bumps). Optimum for small diameter microphones, the die is RoHS compliant, with lead free solder pads of 118 $\mu$ m diameter. Packing styles available are 2" x 2" Waffle Pack or Tape and Reel.

### FEATURES

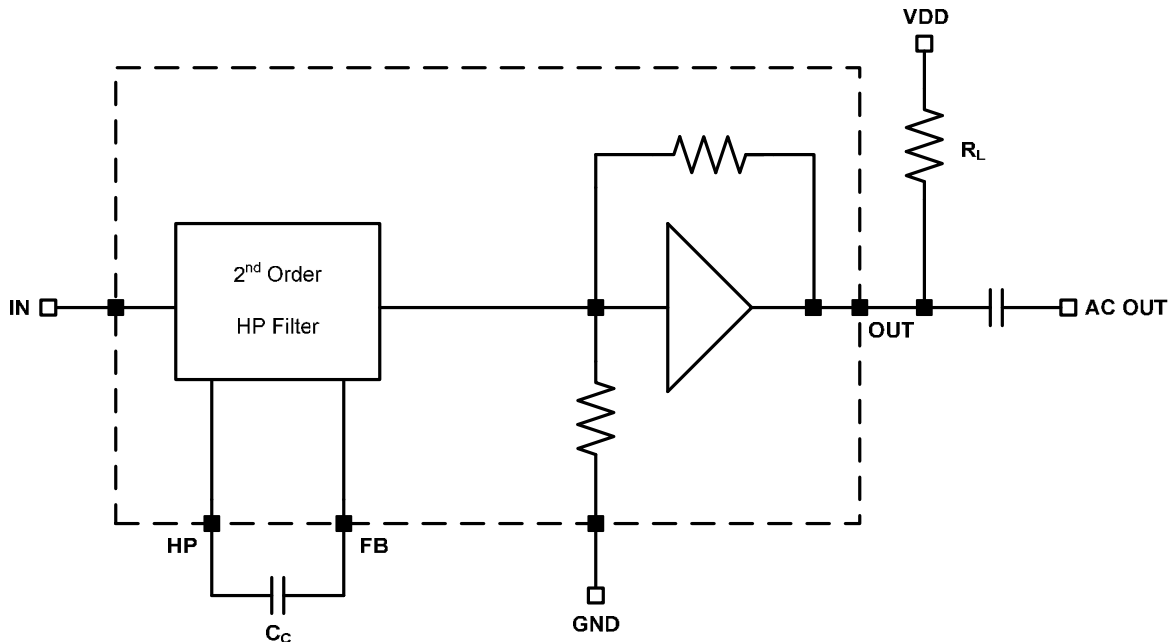
- Selectable Gain Configurations—16dB and 19dB
- Ultra Low Input Capacitance—0.35pF Typ.
- Ultra Low Equivalent Input Noise Performance—1.9  $\mu$ V RMS to 2.5 $\mu$ V RMS, Cmic = SC, Varies with Gain
- 8kV ESD Tolerance
- High RFI Tolerance, Low Output Impedance (25 $\Omega$ )
- Excellent THD Performance (< 0.5%)
- Ultra Low Quiescent Current (250 $\mu$ A Typical)
- Chip-Scale SMD Bumped Packaging (930 $\mu$ m x 580 $\mu$ m, 320 $\mu$ m thick)

### PIN CONFIGURATION: 5-Lead Micro SMD

AAP661X shown from the top and bottom.



**Functional Block Diagram**



**MAXIMUM RATINGS**

PARAMETER	SYMBOL	PARAMETERS		UNITS	CONDITIONS
		MIN.	MAX.		
Applied Voltage (all pins)		-0.5	2.5	V	Max voltage between pin and GND
Supply Current	IDD		2	mA	
ESD	V <sub>esd,out</sub>	8000		V	OUT terminal
	V <sub>esd</sub>	2000			Other terminals
Operating Ambient Temp		-40	85	°C	
Storage Temp Range		-40	100	°C	
Performance Operating Temp Range		-5	55	°C	

**ELECTRICAL CHARACTERISTICS**

Unless otherwise stated: T=25°C, VDD=1.8V, V<sub>in</sub>=-40dBVrms, R<sub>L</sub>=2.2kΩ, C<sub>c</sub>=100nF, C<sub>mic</sub>=short

PARAMETER	SYMBOL	PARAMETERS			UNITS	CONDITIONS
		MIN	TYP	MAX		
<b>OPERATING SUPPLY</b>						
Supply Voltage	VDD	1.6	1.8	5.5	V	R <sub>L</sub> =3.3kΩ
Operating Output Voltage	V <sub>op</sub>	1.18	1.23	1.3	V	
Supply Current	IDD		250		μA	Note 1

Note 1: IDD = (VDD - V<sub>op</sub>) / R<sub>L</sub>

PSRR			60		dB	
<b>AC CHARACTERISTICS</b>						
Transfer Function (AAP661A)	TF	14	15	16	dB	
Transfer Function (AAP661B)	TF	18.5	19	19.5	dB	
Gain Variation over Supply	$\Delta A_v$			0.1	dB	1.6V < VDD < 3.5V
Gain Variation over Temp	$\Delta A_v$			0.2	dB	-5°C < T < 55 °C
Input Referred Noise	$e_n$		2	2.5	$\mu\text{V RMS}$	Input shorted to GND, A-weighted values
Overload Margin	$V_{outmax}$			825	mVpp	5% distortion, TF=11dB
LF Cutoff	$f_{LOW}$		200		Hz	
HF Cutoff	$f_{HIGH}$	20	85		kHz	
Total Harmonic Distortion	THD		0.4		%	Vout=-23dBVrms
Input Capacitance	$C_{IN}$		0.35		pF	
Input Impedance	$Z_{IN}$	10			$G\Omega$	
Output Impedance	$Z_{OUT}$		25	70	$\Omega$	
Input Impedance of FB (AAP661A)	$Z_{INFB}$		17		k $\Omega$	
Input Impedance of FB (AAP661B)	$Z_{INFB}$		12.1		k $\Omega$	

**APPLICATION**

Use the following equation to calculate the capacitor ( $C_c$ ) value to program the low frequency cutoff of the high-pass filter:

Example 1: for a cutoff of  $f = 100\text{Hz}$  using the AAP661A

$$C_c = \frac{1}{2\pi * Z_{INFB} * f} = \frac{1}{2\pi * 17k * 100} = 94\text{nF}$$

Example 2: for a cutoff of  $f = 300\text{Hz}$  using the AAP661B

$$C_c = \frac{1}{2\pi * Z_{INFB} * f} = \frac{1}{2\pi * 12.1k * 300} = 44\text{nF}$$

**TEST SUGGESTIONS**

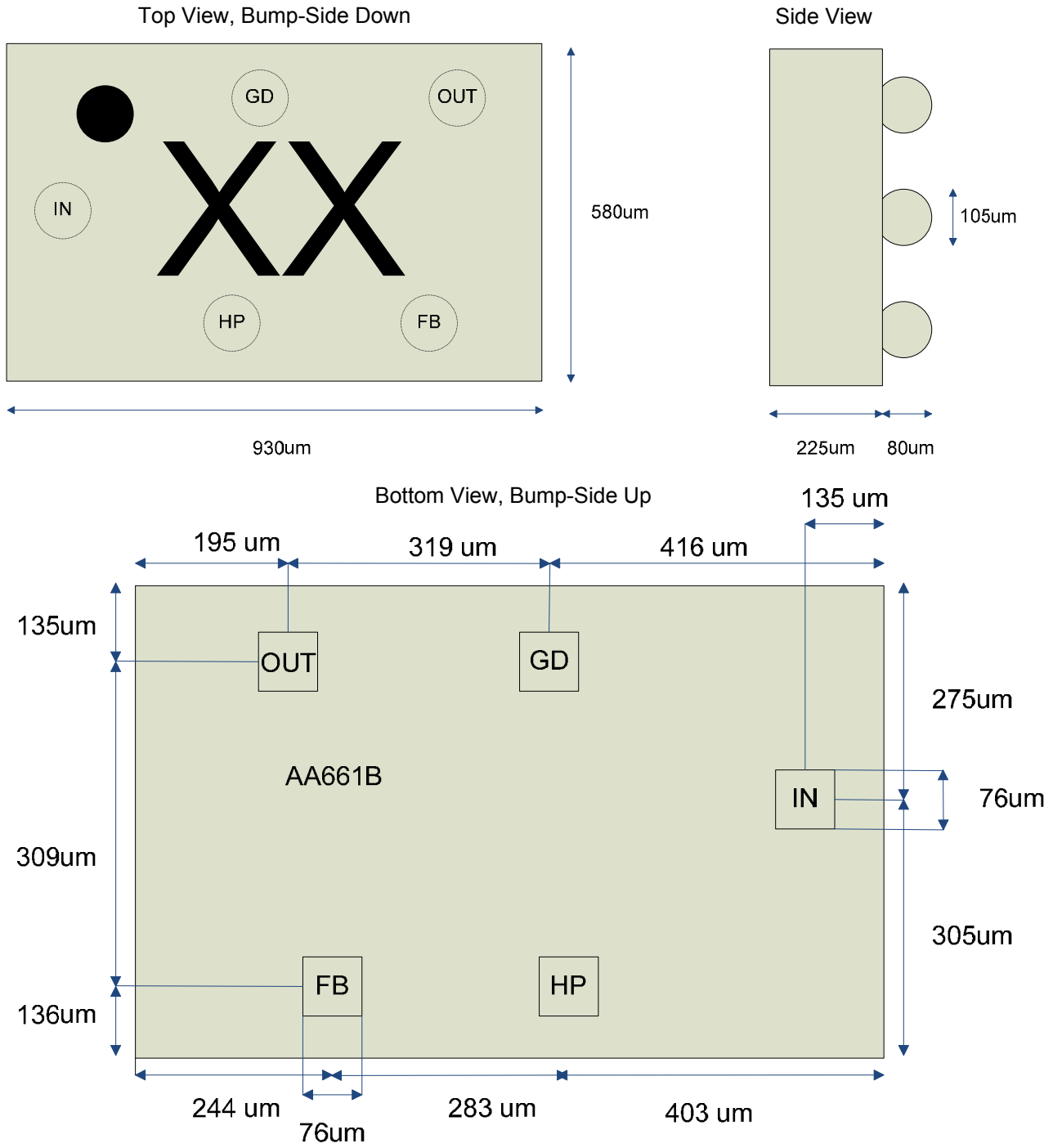
A suitable input amplitude is -44dBV (6.301 mVRMS). With a gain of 15dB, this will give -29dBV out (35.48 mVRMS). With a gain of 19dB, this will give -25dBV out (56.23 mVRMS).

With the input shorted to ground, the DC voltage at the FB pin should be about 600mV, and the DC voltage at the HP pin should be about 800mV. Due to the high impedances, a DVM with 10 MΩ input resistance minimum should be used with the negative input grounded to the lab bench.

**ORDERING INFORMATION**

Ordering PN	Subgroup	Description	Temp. Range	Package	Packing Type	Packing Qty
AAP661A S-M5A-G-LF-W	Microphone ECM Interface	Pre-Amplifier, 16dB gain	S - Special -5°C to +55°C	5-pin Micro SMD	Waffle-Pack	400
AAP661A S-M5A-G-LF-TR	Microphone ECM Interface	Pre-Amplifier, 16dB gain	S - Special -5°C to +55°C	5-pin Micro SMD	T&R	3500
AAP661B S-M5A-G-LF-W	Microphone ECM Interface	Pre-Amplifier, 19dB gain	S - Special -5°C to +55°C	5-pin Micro SMD	Waffle-Pack	400
AAP661B S-M5A-G-LF-TR	Microphone ECM Interface	Pre-Amplifier, 19dB gain	S - Special -5°C to +55°C	5-pin Micro SMD	T&R	3500

**PACKAGE DIMENSIONS AND MARKING**



The following is a brief overview of certain terms and conditions of sale of product. For a full and complete copy of all the General Terms and Conditions of Sale, visit our webpage <http://www.asicadvantage.com/terms.htm>.

#### **LIMITED WARRANTY**

The product is warranted that it will conform to the applicable specifications and be free of defects for one year. Buyer is responsible for selection of, use of and results obtained from use of the product. Buyer indemnifies and holds ASIC Advantage, Inc. harmless for claims arising out of the application of ASIC Advantage, Inc.'s products to Buyer's designs. Applications described herein or in any catalogs, advertisements or other documents are for illustrative purposes only.

#### **CRITICAL APPLICATIONS**

Products are not authorized for use in critical applications including aerospace and life support applications. Use of products in these applications is fully at the risk of the Buyer. Critical applications include any system or device whose failure to perform can result in significant injury to the user.

#### **LETHAL VOLTAGES**

Lethal voltages could be present in the applications. Please comply with all applicable safety regulations.

#### **INTELLECTUAL PROPERTY RIGHTS AND PROPRIETARY DATA**

ASIC Advantage, Inc. retains all intellectual property rights in the products. Sale of products does not confer on Buyer any license to the intellectual property. ASIC Advantage, Inc. reserves the right to make changes without notice to the products at any time. Buyer agrees not to use or disclose ASIC Advantage Inc.'s proprietary information without written consent.

#### **TRADEMARKS AND PATENTS**

- IN-PLUG® is a registered trademark of ASIC Advantage, Inc.
- AAI's modified snubber network is patented under the US Patent # 6,233,165

#### **PROTECTION FOR CUSTOM SOLUTIONS**

When AAI accepts to design and manufacture products to Buyer's designs or specifications, buyer has certain obligations to provide defense in a suit or proceeding claiming infringement of a patent, copyright or trademark or for misappropriation of use of any trade secrets or for unfair competition.

#### **COMPLIANCE WITH LAWS**

Buyer agrees that at all times it will comply with all applicable federal, state, municipal, and local laws, orders and regulations. Buyer agrees to comply with all applicable restrictions on exports and re-exports including obtaining any required U.S. Government license, authorization, or approval. Buyer shall pay any duties, levies, taxes, brokerage fees, or customs fees imposed on the products.

#### **TITLE AND DELIVERY**

All shipments of goods shall be delivered ExWorks, Sunnyvale, CA, U.S.A. Title in the goods shall not pass to Buyer until ASIC Advantage, Inc. has received in full all amounts owed by Buyer.

#### **LATEST DATASHEET UPDATES**

For the latest datasheet updates, visit our web page: <http://www.asicadvantage.com>.

#### **WORLDWIDE REPRESENTATIVES**

To access AAI's list of worldwide representatives, visit our web page <http://www.asicadvantage.com>.

#### **COPYRIGHTS**

Copyrights and all other proprietary rights in the Content rests with ASIC Advantage Inc. (AAI) or its licensors. All rights in the Content not expressly granted herein are reserved. Except as otherwise provided, the Content published on this document may be reproduced or distributed in unmodified form for personal non-commercial use only. Any other use of the Content, including without limitation distribution, reproduction, modification, display or transmission without the prior written consent of AAI is strictly prohibited. All copyright and other proprietary notices shall be retained on all reproductions.

#### **ASIC Advantage INC.**

1290-B Reamwood Ave, Sunnyvale California 94089, USA  
Tel: (1) 408-541-8686 Fax: (1) 408-541-8675  
Website: <http://www.asicadvantage.com>