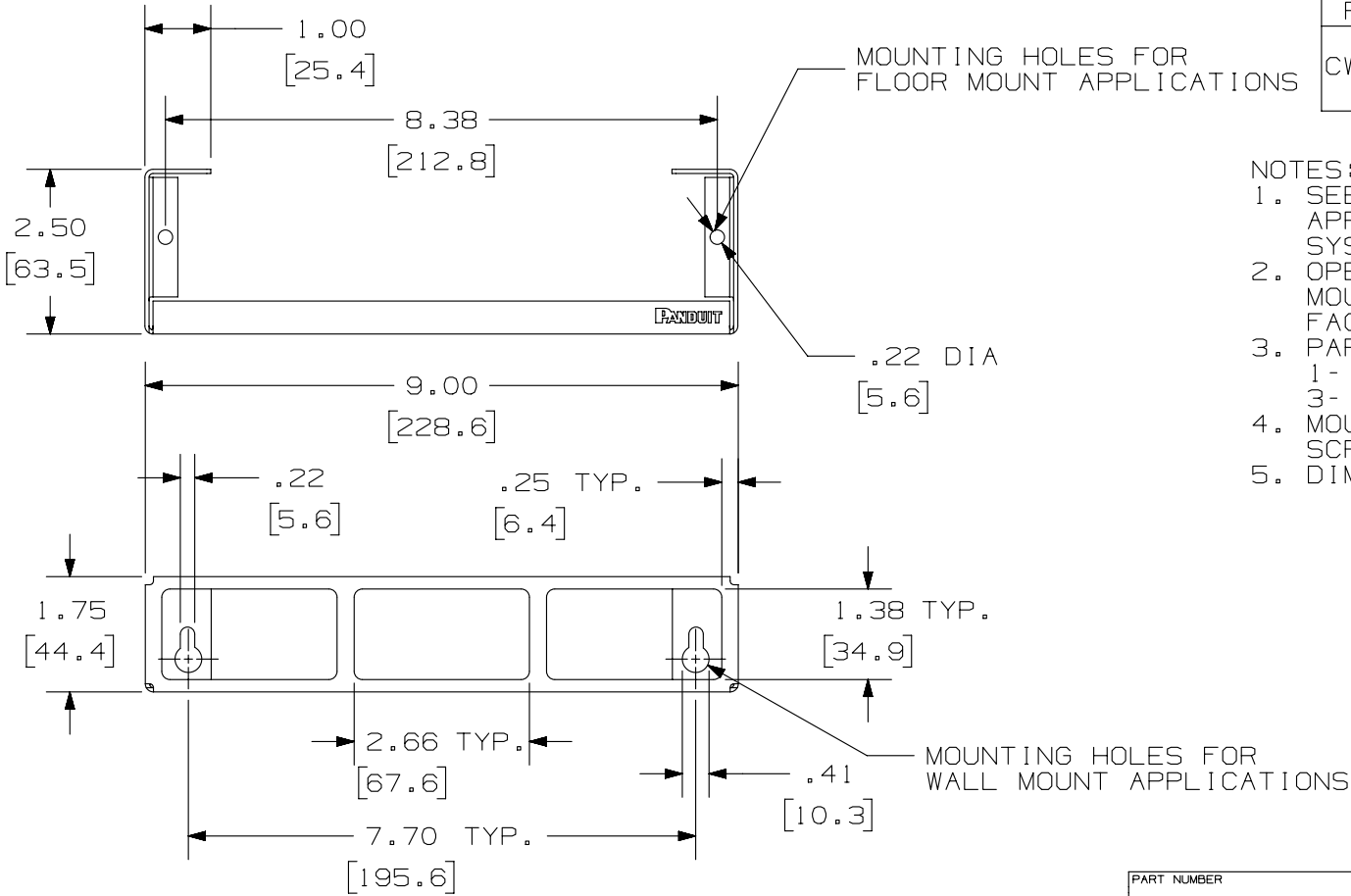


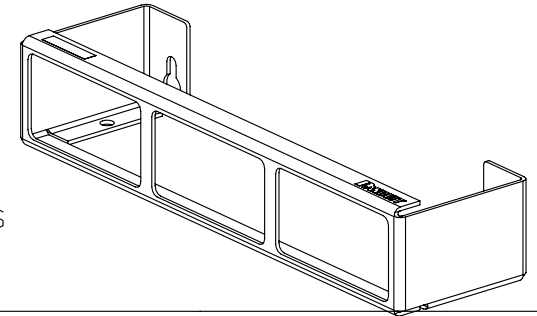
THIS COPY IS PROVIDED ON A RESTRICTED BASIS AND IS NOT TO BE USED IN ANY WAY DETRIMENTAL TO THE INTERESTS OF PANDUIT CORP.



PANDUIT PART NO.	WEIGHT
CWPP12WBL	.501 LB/EA (228 G/EA)

NOTES:

- SEE CURRENT CATALOG FOR VARIOUS APPLICATIONS WITH THIS WIRING SYSTEM.
- OPENINGS ARE INTENDED FOR SNAP-IN MOUNTING OF PANDUIT FURNITURE FACEPLATES (CFFP4BL).
- PART INCLUDES:
 - PATCH PANEL FRAME
 - FURNITURE FACEPLATE (CFFP4BL)
- MOUNT WITH (2) ROUND OR PAN-HEAD SCREWS (#10 MAX).
- DIMENSIONS IN [] ARE IN METRIC.



PART NUMBER		CWPP12WBL	
TITLE			
MINI-COM 12 PORT WALL MOUNT PATCH PANEL			
CUSTOMER DRAWING			
ITEM REVISION NAME		D35559BU/00	
DATASET FILE NAME		D35559BU_DC/00B	
UNLESS OTHERWISE SPECIFIED, DIMENSIONAL TOLERANCES ARE: IN [mm]		MATERIAL:	
.x ± .xx ± .03 [.8]		PANEL: C.R.S. FACEPLATE: ABS	
ANGLES ±		DRAWING NUMBER:	
THIRD ANGLE PROJECTION		35559-18	
DRAWN BY	DATE	CHK	SCALE
JBA	4-1-97	CEF	NONE
SHT 1 OF 1			SIZE
A			A

REV	DATE	BY	CHK	APR	DESCRIPTION	ECN
1	5/16/14	JSP	REFR	MMR	A. REVISED DRAWING TITLE BLOCK.	35559-18
R	4-1-97	JBA	CEF	CEF	RELEASED TO PRODUCTION	35559-18

D10100DA/14