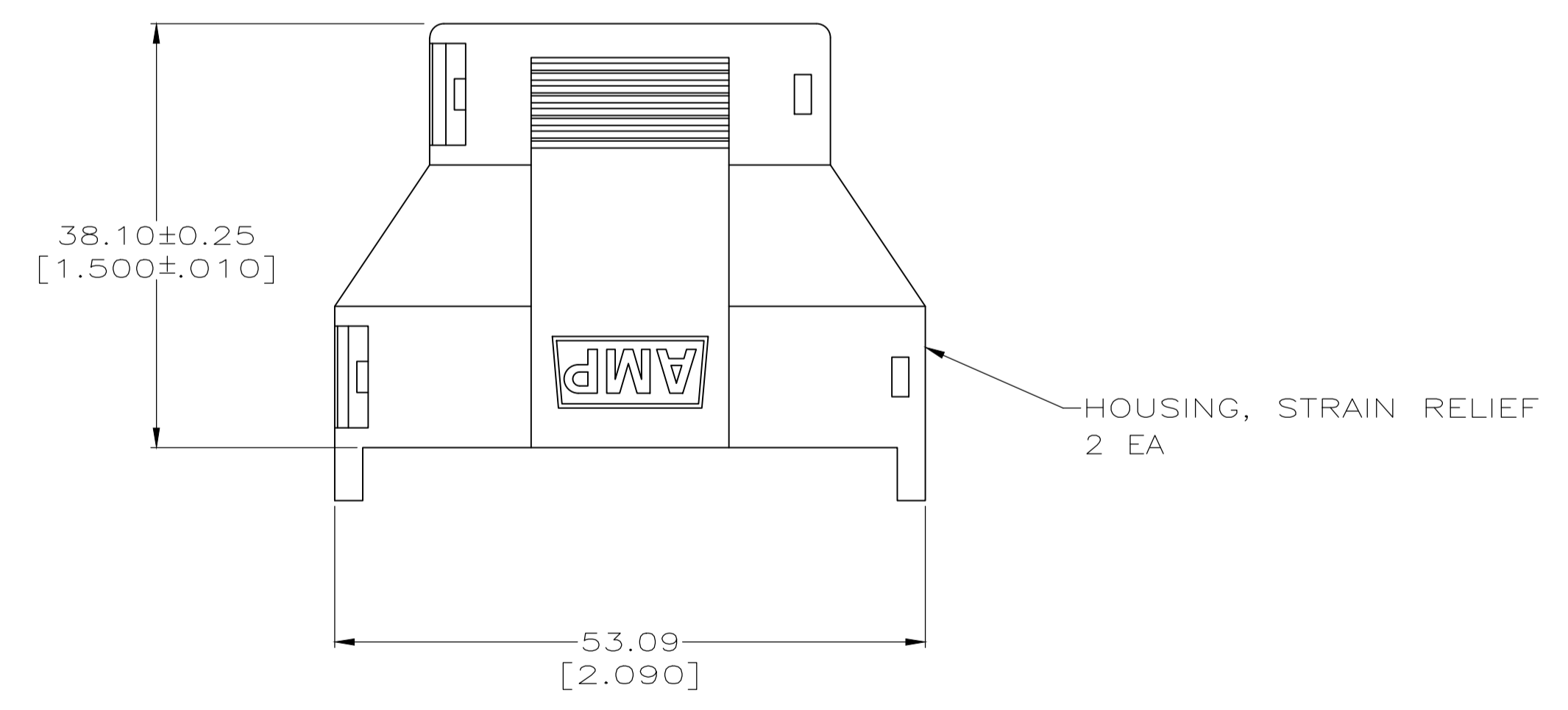
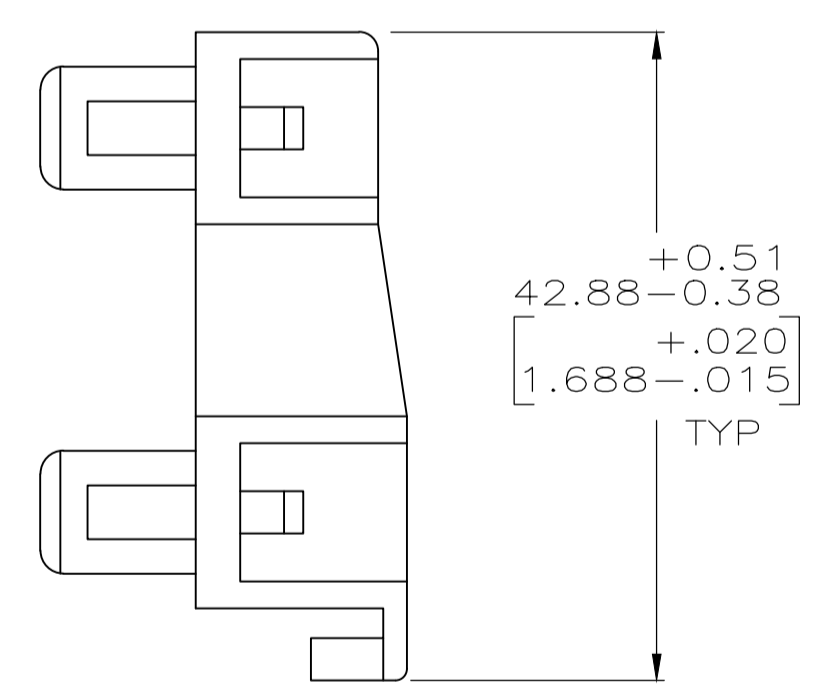
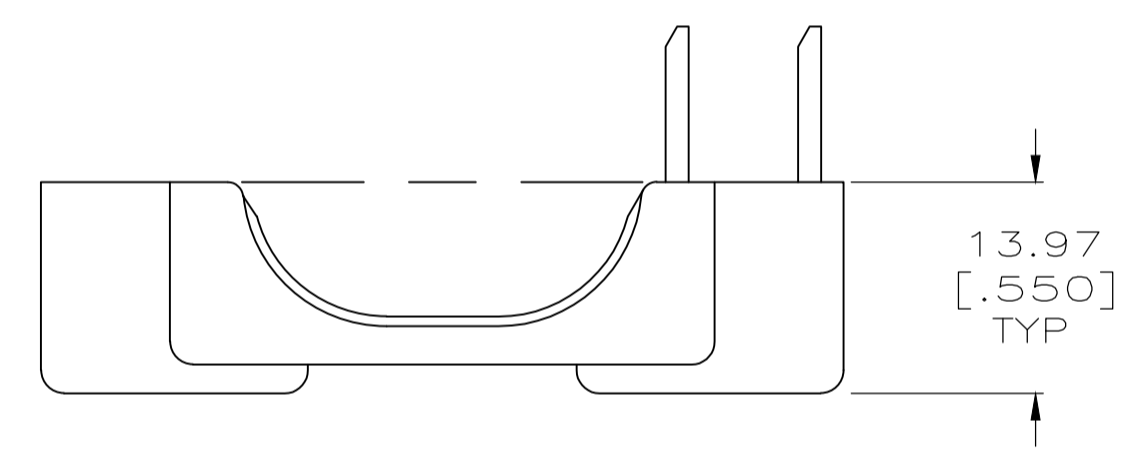
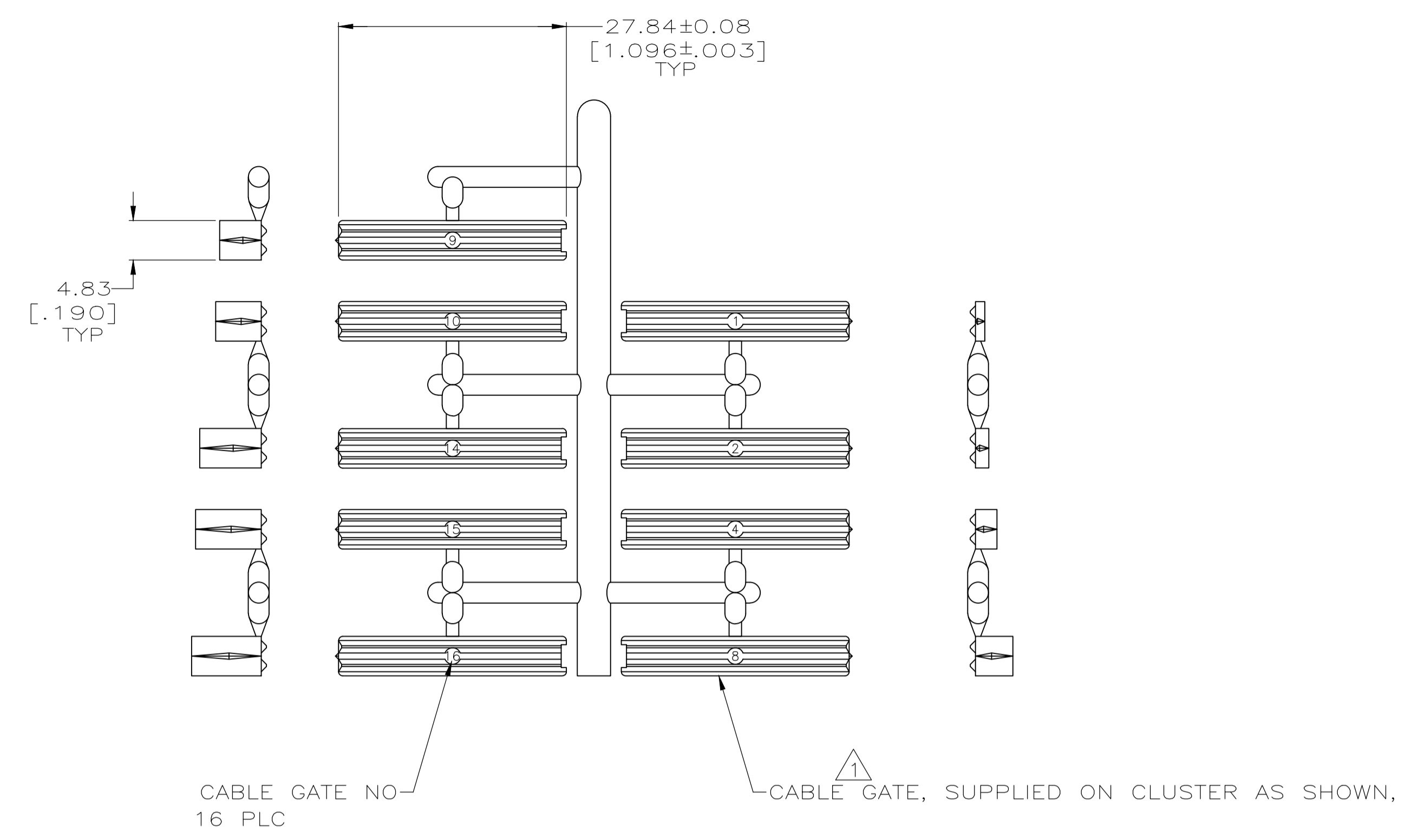
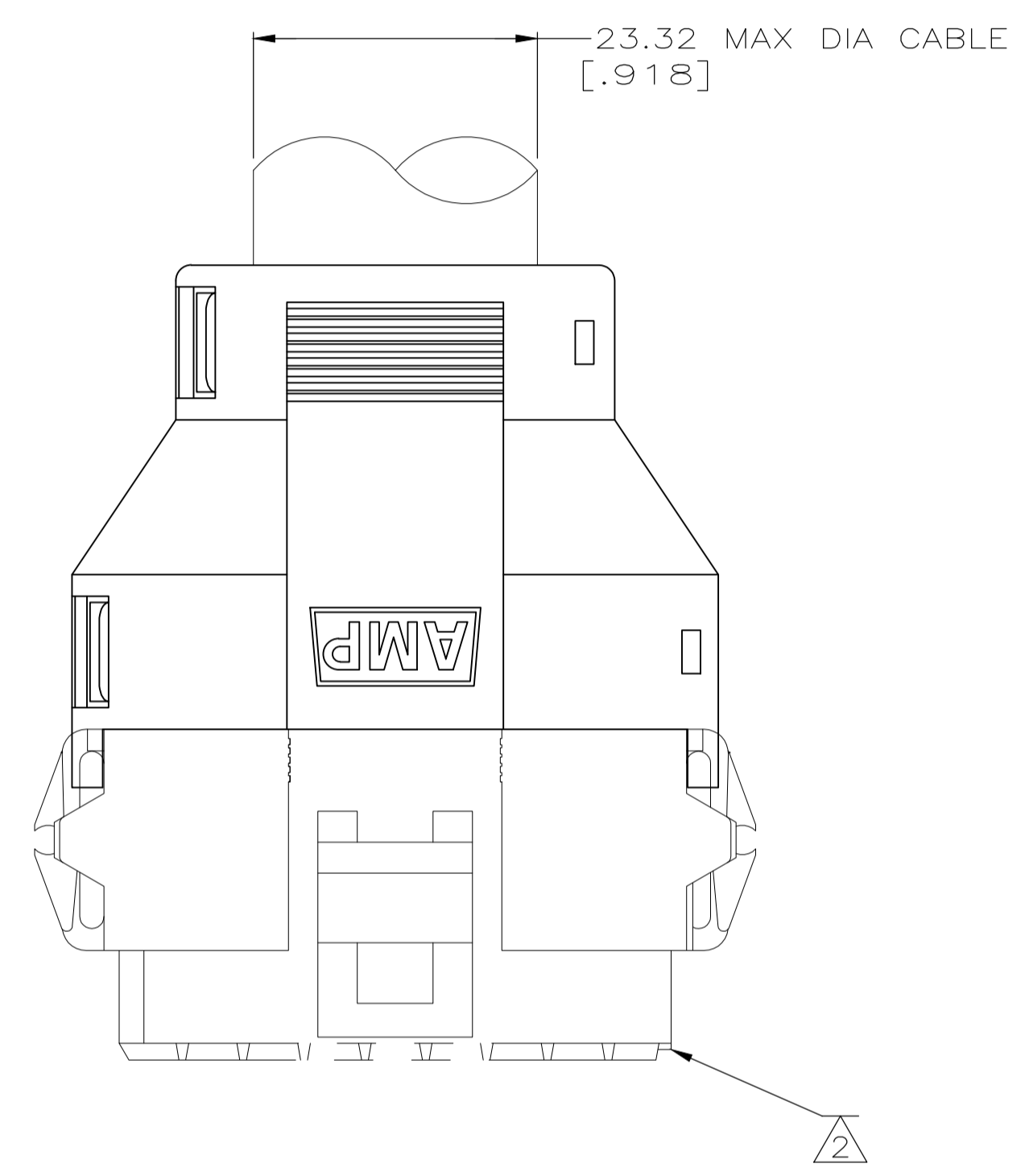
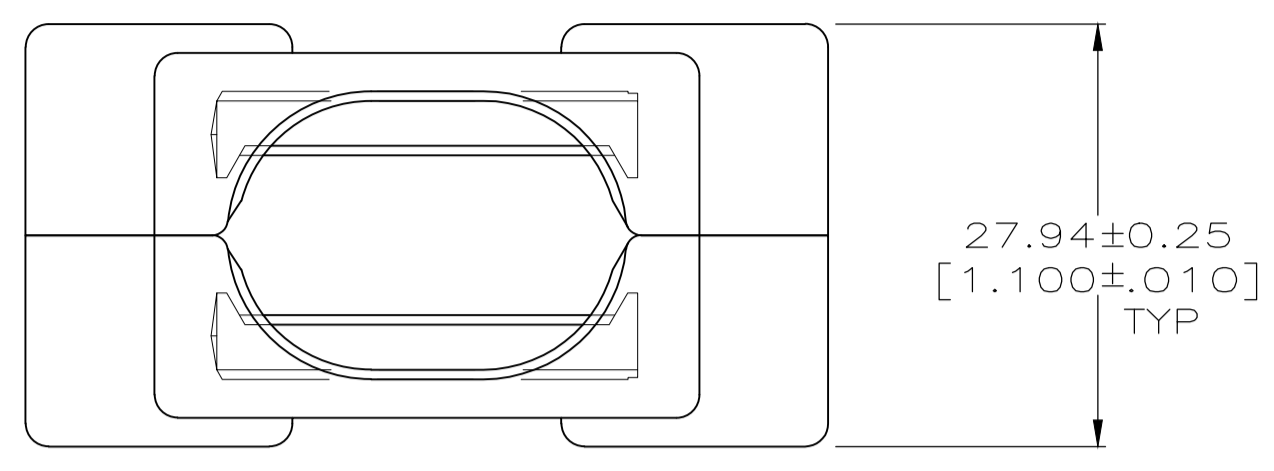


REVISIONS					
P	LTR	DESCRIPTION	DATE	OWN	APVD
E		REVISED PER ECO-20-002047	24FEB2020	RK	MZ



- ⚠ A VARIETY OF CABLE GATES ARE PROVIDED TO ACCOMMODATE A VARIETY OF CUSTOMER CABLE SIZES.
- ⚠ PLUG SHOWN FOR REFERENCE ONLY. STRAIN RELIEF CAN BE USED ON EITHER PLUG OR RECEPTACLE.
- ⚠ HOUSING MATERIAL: PA66, BLACK, UL 94 V-0 RATED

THIS DRAWING IS A CONTROLLED DOCUMENT.		DIN J McCLINTON 1-27-92	207604-1 PART NUMBER	
DIMENSIONS: INCHES		CHK R STONE 1-29-92	APVD	
TOLERANCES UNLESS OTHERWISE SPECIFIED:		NAME		
0. PLC ± -	1. PLC ± -	PRODUCT SPEC		
2. PLC ± ± 0.13[.005]	3. PLC ± ± -	108-10033		
4. PLC ± ± -	ANGLES ± ± -	APPLICATION SPEC		
MATERIAL	FINISH	SIZE	CAGE CODE	DRAWING NO.
⚠	-	WEIGHT	A1 00779	C=207604
CUSTOMER DRAWING		SCALE	SHEET	REV
		2:1	1 OF 1	E