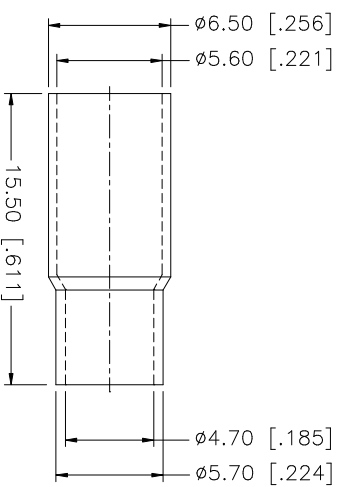
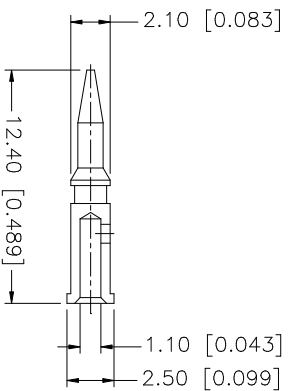
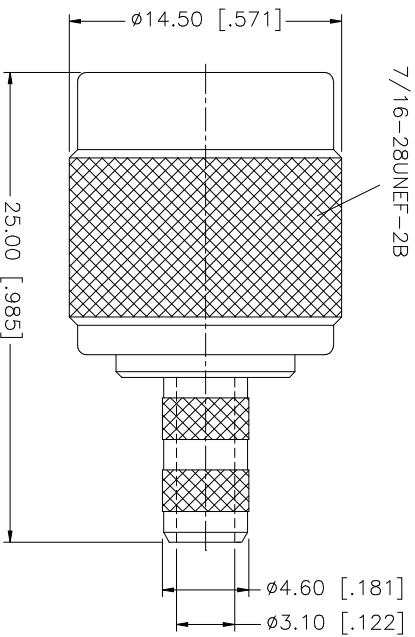
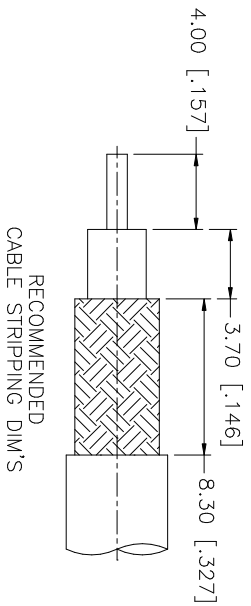


REV.	DATE
A	11/29/03

DESCRIPTION
UPDATE DRAWING FROM AT



8					UNLESS OTHERWISE SPECIFIED DIMENSIONS ARE IN MILLIMETERS. DIMENSIONS IN [] ARE IN INCHES AND FOR CUSTOMER REFERENCE ONLY.	APPROVALS	DATE	<p>Amphenol Connex</p> <p>TNC STRAIGHT CRIMP PLUG (FOR B89907, 58 PLENUM CABLE)</p> <p>PART NO. 122112</p>
7				UNLESS OTHERWISE SPECIFIED TOLERANCES FOR MILLIMETERS ARE:	DRAWN	G.R.S.	11/29/03	
6				0.5 - 8mm ± 0.20mm	CHECKED			
5				8 - 30mm ± 0.40mm	ISSUED			
4	FERRULE	COPPER	NICKEL	30 - 120mm ± 0.50mm	SHEET	1 OF 1		
3	CONTACT PIN	BRASS	GOLD	UNLESS OTHERWISE SPECIFIED TOLERANCES FOR INCHES ARE:	CAD FILE			
2	INSULATOR	DELRIN	NATURAL	.020 - .315 = ± 0.007"	C:/122/122112.DWG			
1	BODY	BRASS	NICKEL	.315 - 1.180 = ± 0.015"	DWG. NO.			
	DESCRIPTION	MATERIAL	FINISH	1.180 - 4.724 = ± 0.020"	REV.	A		
				DO NOT SCALE DRAWING	SIZE	A		
					SCALE	NA		