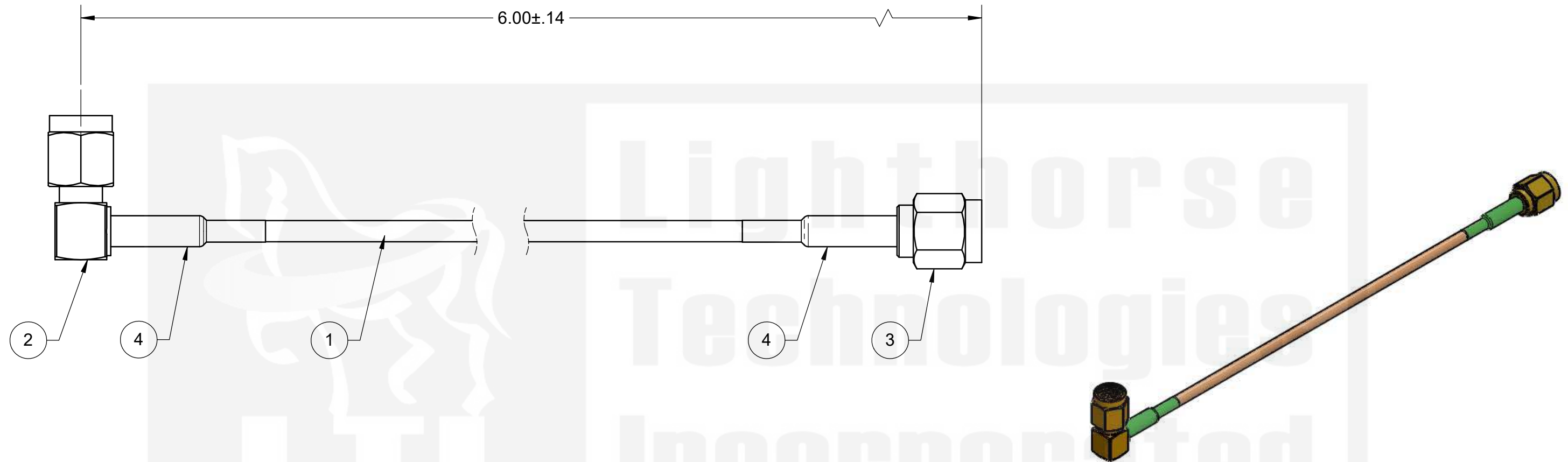


REVISIONS

REV	ECR	DESCRIPTION	DRAWN	DATE
1		ENGINEERING RELEASE	M. LARSEN	03/27/2023



ITEM	PART NUMBER	DESCRIPTION	QTY
1	RD-316	CABLE, RD-316 COAX, DOUBLE SHIELD	AR
2	SALM11GT-316	SMA, RIGHT ANGLE, PLUG, CABLE CRIMP	1
3	SASM11GT-316	SMA, STRAIGHT, PLUG, CABLE CRIMP	1
4	HEAT SHRINK	.188 (3/16) DIA, .75 LENGTH, GREEN	2

DO NOT SCALE DRAWING
 TOLERANCES UNLESS OTHERWISE SPECIFIED
 DIMENSIONS ARE IN MILLIMETERS
 X = ±0.5
 X.X = ±0.25
 X.XX = ±0.13
 ANGLE = ±30'

CUSTOMER APPROVAL

SIGN / DATE:

ENG APPR. _____

CHECKED _____

DRAWN M. LARSEN 03/27/2023

NAME DATE

Lighthouse Technologies
 San Diego, CA
 WWW.RFCONNECTOR.COM

TITLE: **CABLE ASSEMBLY, SMA, R/A PLUG, CRIMP TO SMA, PLUG, CRIMP USING RD-316 COAX**

SIZE **B** PART/DWG. NO: **CBO-SALMGT-SAMGT-6IN** REV **1**

SCALE: 2:1 FILE NAME SHEET 1 OF 1

PROPRIETARY AND CONFIDENTIAL
 UNLESS OTHERWISE SPECIFIED: THIS DOCUMENT CONTAINS LIGHTHORSE TECHNOLOGIES INFORMATION. REPRODUCTION, USE, DISCLOSURE OR TRANSMITTAL OF ALL OR ANY PART OF THIS DOCUMENT IS PROHIBITED EXCEPT TO THE EXTENT APPROVED IN WRITING BY AN AUTHORIZED REPRESENTATIVE OF LIGHTHORSE TECHNOLOGIES. LIGHTHORSE TECHNOLOGIES RESERVES ALL RIGHTS UNDER PATENTS, TRADEMARKS, COPYRIGHTS AND TRADE SECRETS. COPY RIGHTS OF LIGHTHORSE TECHNOLOGIES 2011, ALL RIGHTS RESERVED.

