



## Wirewound, Metal Film, and Power Metal Strip® Packaging

GLOBAL MODEL	SIZE	REEL: PUNCHED PAPER					BULK		
		PACKAGING CODE		MAXIMUM PIECES/REEL	TAPE WIDTH <sup>(1)</sup>	REEL DIAMETER <sup>(1)</sup>	PACKAGING CODE		MAXIMUM PIECES/BAG
		LEAD (Pb)-FREE	TIN/LEAD				LEAD (Pb)-FREE	TIN/LEAD	
WSL0603, WSLx0603	0603	EA	TG	5000	8.0 (0.315)	178 (7.00)	EK	BA	100
WSL0805, WSLx0805	0805	EA	TG	5000	8.0 (0.315)	178 (7.00)	EK	BA	100

GLOBAL MODEL	SIZE	REEL: EMBOSSED PLASTIC					BULK		
		PACKAGING CODE		MAXIMUM PIECES/REEL	TAPE WIDTH <sup>(1)</sup>	REEL DIAMETER <sup>(1)</sup>	PACKAGING CODE		MAXIMUM PIECES/BAG
		LEAD (Pb)-FREE	TIN/LEAD				LEAD (Pb)-FREE	TIN/LEAD	
WSK0612, WSKW0612	0612	EA	TA	4000	8.0 (0.315)	178 (7.00)	EK	N/A	100
WSK1216	1216	EA	N/A	3000	12.0 (0.472)	330 (13.00)	EK	N/A	100
WSL0612	0612	EA	TA	4000	8.0 (0.315)	178 (7.00)	EK	BA	100
WSL1020	1020	EA	TA	4000	12.0 (0.472)	178 (7.00)	EK	BA	100
WSL1206, WSLx1206	1206	EA	TA	4000	8.0 (0.315)	178 (7.00)	EK	BA	100
WSL2010, WFMA2010, WFMB2010	2010	EA	TA	4000	12.0 (0.472)	178 (7.00)	EK	BA	100
WSC01/2, WSF2012	2012	EA	TA	2000	12.0 (0.472)	330 (13.00)	EK	BA	100
WSK2512, WSL2512, WSLx2512, WFMA2512, WFMB2512	2512	EA	TA	2000	12.0 (0.472)	178 (7.00)	EK	BA	100
WSLF2512	2512	EA	N/A	4000	12.0 (0.472)	330 (13.00)	EK	N/A	100
WSC2515, WSF2515	2515	EA	TA	2000	16.0 (0.630)	330 (13.00)	EK	BA	100
WSL2726, WSLx2726	2726	EA	N/A	1500	16.0 (0.630)	330 (13.00)	EK	N/A	100
WSL2816	2816	EH	TH	2000	12.0 (0.472)	178 (7.00)	EK	BA	100
WSHM2818, WSHP2818	2818	EA	TA	3500	16.0 (0.630)	330 (13.00)	EK	BA	100
WSL3637	3637	EA	TA	4000	16.0 (0.630)	330 (13.00)	EK	BA	100
WSL3921, WSLx3921	3921	EA	N/A	3000	16.0 (0.630)	330 (13.00)	EK	N/A	100
WFPA3939, WFPB3939	3939	EA	N/A	3000	16.0 (0.630)	330 (13.00)	EK	N/A	100
WSL4026, WSLx4026	4026	EA	N/A	1500	24.0 (0.945)	330 (13.00)	EK	N/A	100
WSC0002, WSC4527, WSF4527	4527	EA	TA	1200	24.0 (0.945)	330 (13.00)	EK	BA	100
WSR2, WSR3, WSR5	4527	EA	TA	1500	24.0 (0.945)	330 (13.00)	EK	BA	100
WSL5931, WSLx5931	5931	EA	N/A	1500	24.0 (0.945)	330 (13.00)	EK	N/A	100
WSC6927	6927	EA	TA	725	32.0 (1.260)	330 (13.00)	EK	BA	100
WSZ7532	7532	EA	TA	350	32.0 (1.260)	330 (13.00)	EK	BA	100

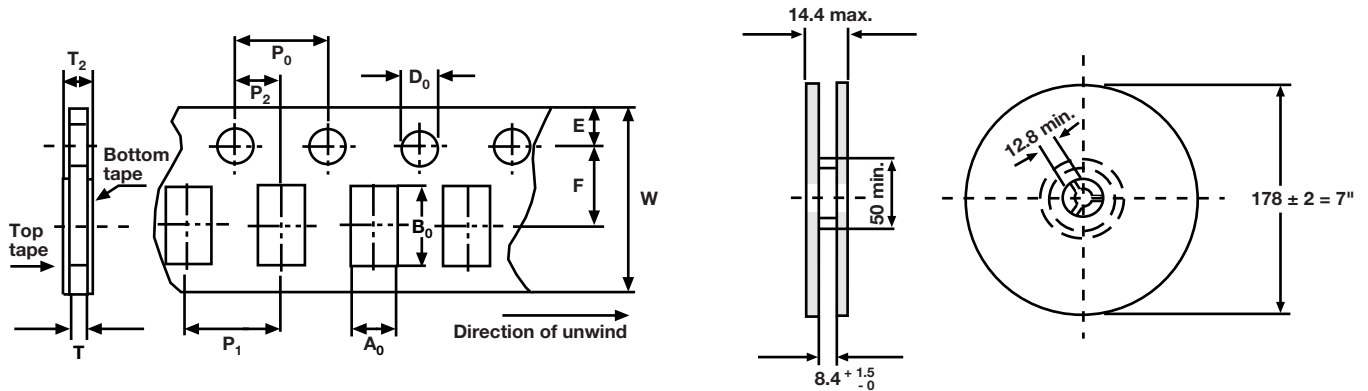
### Notes

- WSLx = WSLP, WSLS, or WSLT
- (1) Dimensions in millimeters (inches)



## 8 mm PUNCHED PAPER TAPE (WSE, WSL, WSLx)

Dimensions in millimeters



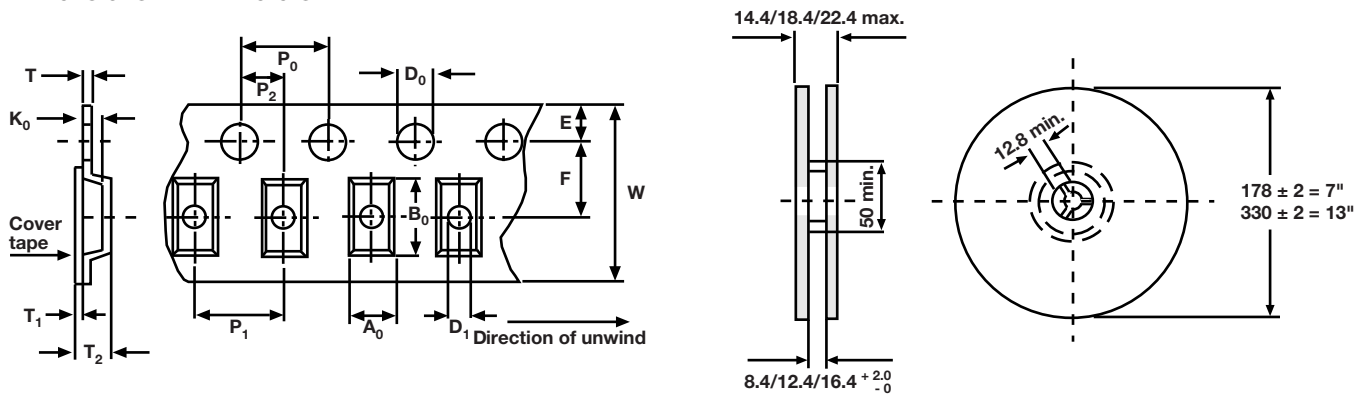
SIZE	A <sub>0</sub> ± 0.05	B <sub>0</sub> ± 0.05	D <sub>0</sub> + 0.1	P <sub>0</sub> ± 0.1	P <sub>1</sub> ± 0.05	P <sub>2</sub> ± 0.05	E ± 0.1	F ± 0.05	W MAX.	T <sub>2</sub> MAX.	T ± 0.05
0603	1.15	1.85	1.5	4.0	4.0	2.0	1.75	3.5	8.3	0.8	0.6
0805	1.65	2.4	1.5	4.0	4.0	2.0	1.75	3.5	8.3	0.85	0.6

### Note

- For further information regarding taping, see EIA-481

## 8 mm / 12 mm EMBOSSED PLASTIC CARRIER TAPE (WSK, WSL, WSLx, WSL...E)

Dimensions in millimeters



SIZE	A <sub>0</sub> ± 0.1	B <sub>0</sub> ± 0.1	D <sub>0</sub> + 0.1	D <sub>1</sub> MIN.	E ± 0.1	F ± 0.05	K <sub>0</sub> MAX.	P <sub>0</sub> ± 0.1	P <sub>1</sub> ± 0.1	P <sub>2</sub> ± 0.05	T <sub>1</sub> MAX.	T <sub>2</sub> MAX.	T MAX.	W MAX.
0612, 1206	1.91	3.51	1.5	1.0	1.75	3.5	0.79	4.0	4.0	2.0	0.1	1.19	0.3	8.3
WSK1216	4.06	4.83	1.5	1.5	1.75	5.5	2.29	4.0	8.0	2.0	0.1	2.79	0.4	12.3
1020	2.79	5.38	1.5	1.5	1.75	5.5	0.79	4.0	4.0	2.0	0.1	1.19	0.3	12.3
2010	2.79	5.38	1.5	1.5	1.75	5.5	0.79	4.0	4.0	2.0	0.1	1.19	0.3	12.3
2512	3.42	6.63	1.5	1.5	1.75	5.5	0.79	4.0	8.0	2.0	0.1	1.19	0.3	12.3
WSLF2512 1 mΩ, 1.3 mΩ, 3 mΩ, 4 mΩ	3.58	6.7	1.5	1.5	1.75	5.5	1.14	4.0	8.0	2.0	0.058	1.19	0.3	12.3
WSLF2512 0.3 mΩ, 0.5 mΩ, 2 mΩ	3.58	6.7	1.5	1.5	1.75	5.5	1.52	4.0	8.0	2.0	0.058	1.19	0.3	12.3
2816	4.6	7.4	1.5	1.5	1.75	5.5	1.0	4.0	8.0	2.0	0.1	1.4	0.3	12.3

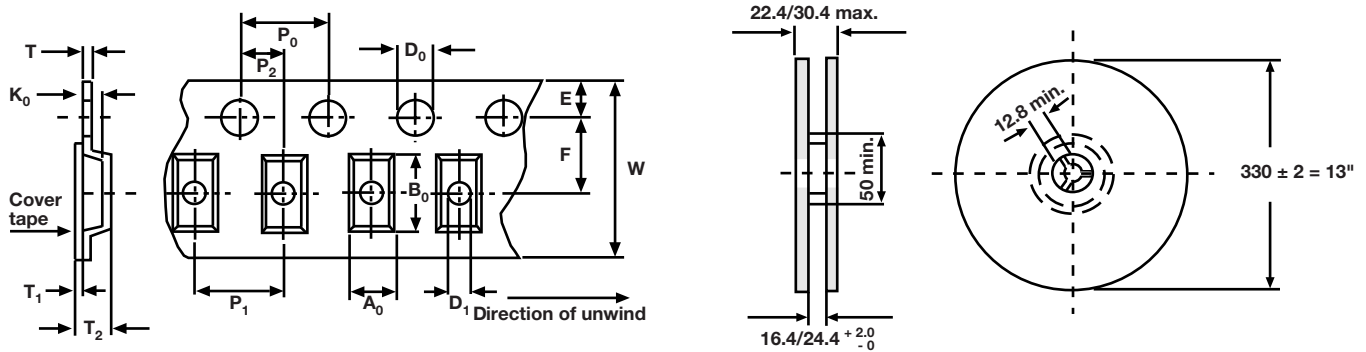
### Note

- For further information regarding taping, see EIA-481



## 16 mm / 24 mm EMBOSSED PLASTIC CARRIER TAPE (WSH, WSL, WSLx)

Dimensions in millimeters



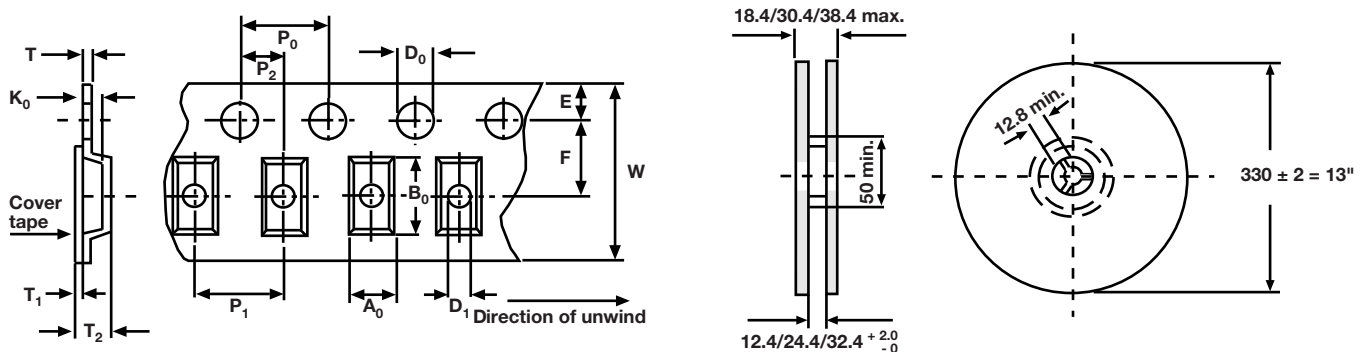
SIZE	A <sub>0</sub> ± 0.1	B <sub>0</sub> ± 0.1	D <sub>0</sub> + 0.1	D <sub>1</sub> MIN.	E ± 0.1	F ± 0.1	K <sub>0</sub> MAX.	P <sub>0</sub> ± 0.1	P <sub>1</sub> ± 0.1	P <sub>2</sub> ± 0.1	T <sub>1</sub> MAX.	T <sub>2</sub> MAX.	T MAX.	W MAX.
2726	7.40	7.10	1.5	1.5	1.75	7.5	3.6	4.0	12.0	2.0	0.1	4.11	0.41	16.3
WSHM2818, WSHP2818	5.08	7.49	1.5	1.5	1.75	7.5	1.63	4.0	8.0	2.0	0.1	2.05	0.41	16.3
3637	9.6	9.9	1.5	1.5	1.75	7.5	1.0	4.0	12.0	2.0	0.1	1.51	0.41	16.3
3921 ≤ 0.5 mΩ	5.8	10.41	1.5	1.5	1.75	7.5	2.13	4.0	8.0	2.0	0.1	2.64	0.41	16.3
3921 ≥ 0.8 mΩ	5.59	10.41	1.5	1.5	1.75	7.5	1.14	4.0	8.0	2.0	0.1	1.65	0.41	16.3
3939	9.6	9.9	1.5	1.5	1.75	7.5	1.0	4.0	12.0	2.0	0.1	1.51	0.41	16.3
4026	7.00	10.51	1.5	1.5	1.75	11.5	4.0	4.0	12.0	2.0	0.1	4.51	0.41	24.3
5931 ≤ 1.0 mΩ	8.3	15.62	1.5	1.5	1.75	11.5	2.39	4.0	12.0	2.0	0.1	2.9	0.41	24.3
5931 ≥ 2.0 mΩ	8.3	15.62	1.5	1.5	1.75	11.5	1.22	4.0	12.0	2.0	0.1	1.73	0.41	24.3

**Note**

- For further information regarding taping, see EIA-481

## 12 mm / 16 mm / 24 mm / 32 mm EMBOSSED PLASTIC CARRIER TAPE (WSC, WSF, WSN, WSR, WSZ)

Dimensions in millimeters



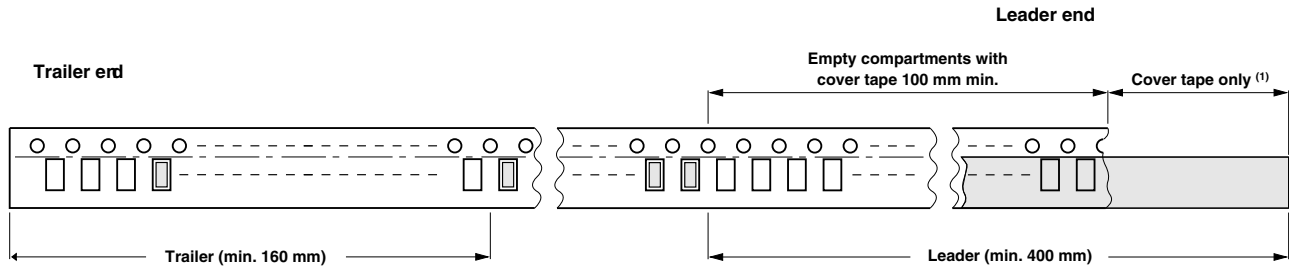
SIZE	A <sub>0</sub> ± 0.15	B <sub>0</sub> ± 0.15	D <sub>0</sub> + 0.1	D <sub>1</sub> MIN.	E ± 0.1	F ± 0.1	K <sub>0</sub> MAX.	P <sub>0</sub> ± 0.1	P <sub>1</sub> ± 0.1	P <sub>2</sub> ± 0.1	T <sub>1</sub> MAX.	T <sub>2</sub> MAX.	T MAX.	W MAX.
2012	3.5	5.6	1.5	1.5	1.75	5.5	2.92	4.0	8.0	2.0	0.1	3.42	0.4	12.3
2515	4.3	7.1	1.5	1.5	1.75	7.5	3.53	4.0	8.0	2.0	0.1	4.03	0.4	16.3
4527	7.34	12.22 ± 0.25	1.5	1.5	1.75	11.5	4.85	4.0	12.0	2.0	0.1	5.35	0.4	24.3
WSR2, WSR3, WSR5	7.4	12.1	1.5	1.5	1.75	11.5	2.89	4.0	12.0	2.0	0.1	3.39	0.4	24.3
6927 <sup>(1)</sup>	7.5	18.3	1.5	2.0	1.75	14.2	7.7	4.0	12.0	2.0	0.1	8.2	0.4	32.3
7532 <sup>(1)</sup>	9.2 ± 0.2	20.9 ± 0.2	1.5	N/A	1.75	14.2	10.4	4.0	16.0	2.0	0.1	10.9	0.4	32.3

**Notes**

- For further information regarding taping, see EIA-481
- <sup>(1)</sup> 6927 and 7532 pocket shapes are slightly different than shown; however, dimensions given are correct



## LEADER AND TRAILER TAPE



### Notes

- The minimum length of the leader is 400 mm, which includes a minimum 100 mm of carrier tape with empty compartments and sealed by the cover tape
- The minimum length of the trailer is 160 mm carrier tape with empty compartments and sealed by the cover tape
- (1) All of the leader may consist of the carrier tape with empty compartments sealed by cover tape