

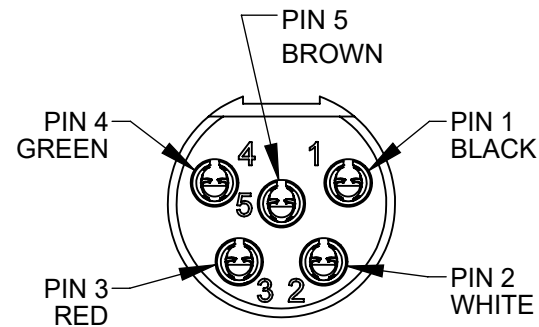
ST-605
OVERMOLDED 5 PIN FEMALE TINI QG

CONTACTS - SPECIAL COPPER ALLOY, SILVER PLATED
INSULATOR - NATURAL (BROWN) THERMOPLASTIC
SHELL - COPPER ALLOY, NICKEL PLATED
OVERMOLD - BLACK THERMOPLASTIC.

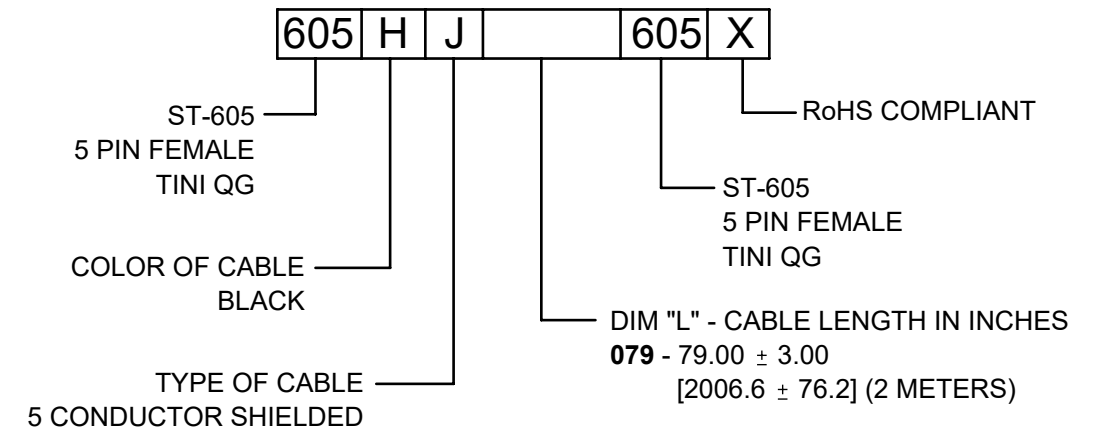
ST-605
OVERMOLDED 5 PIN FEMALE TINI QG

CONTACTS - SPECIAL COPPER ALLOY, SILVER PLATED
INSULATOR - NATURAL (BROWN) THERMOPLASTIC
SHELL - COPPER ALLOY, NICKEL PLATED
OVERMOLD - BLACK THERMOPLASTIC.

WIRING CHART STRAIGHT THRU WIRING		
ST-605	WIRE COLOR	ST-605
PIN 1	BLACK	PIN 1
PIN 2	WHITE	PIN 2
PIN 3	RED	PIN 3
PIN 4	GREEN	PIN 4
PIN 5	BROWN	PIN 5
SHELL	SHIELD/ DRAINWIRE	SHELL



ST-605
FRONT MATING VIEW
BOTH ENDS



CUSTOMER DRAWING

NOTES:

- 1. THIS PRODUCT IS RoHS COMPLIANT.

					THIS DRAWING DESCRIBES A DESIGN CONSIDERED PROPRIETARY IN NATURE, DEVELOPED AND MANUFACTURED BY SWITCHCRAFT INC. AND IS RELEASED ON A CONFIDENTIAL BASIS FOR IDENTIFICATION PURPOSES ONLY.						
					SIZE	WIDTH	MULT	LBS/M	TEMPER		
					FINISH			MATERIAL			
					SPEC No.			SPEC No.			
					FIRST USED ON		SCALE 1.5:1				
					DATE DRAWN	BY	CHKD	APVD			
					7/28/20	AB	AB	TJK			
							7/28/20	8/10/20			
					NAME CABLE ASSEMBLY, DOUBLE ENDED 5 PIN FEMALE TINI QG, RoHS					PART No.	REV
					DO NOT SCALE DRAWING					605HJ__605X	A
REVISIONS											