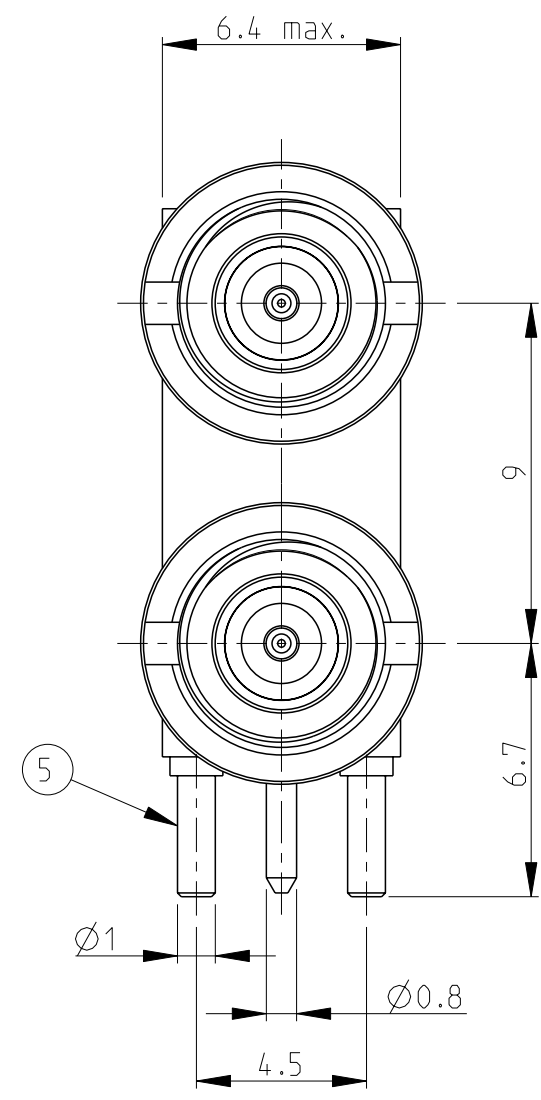
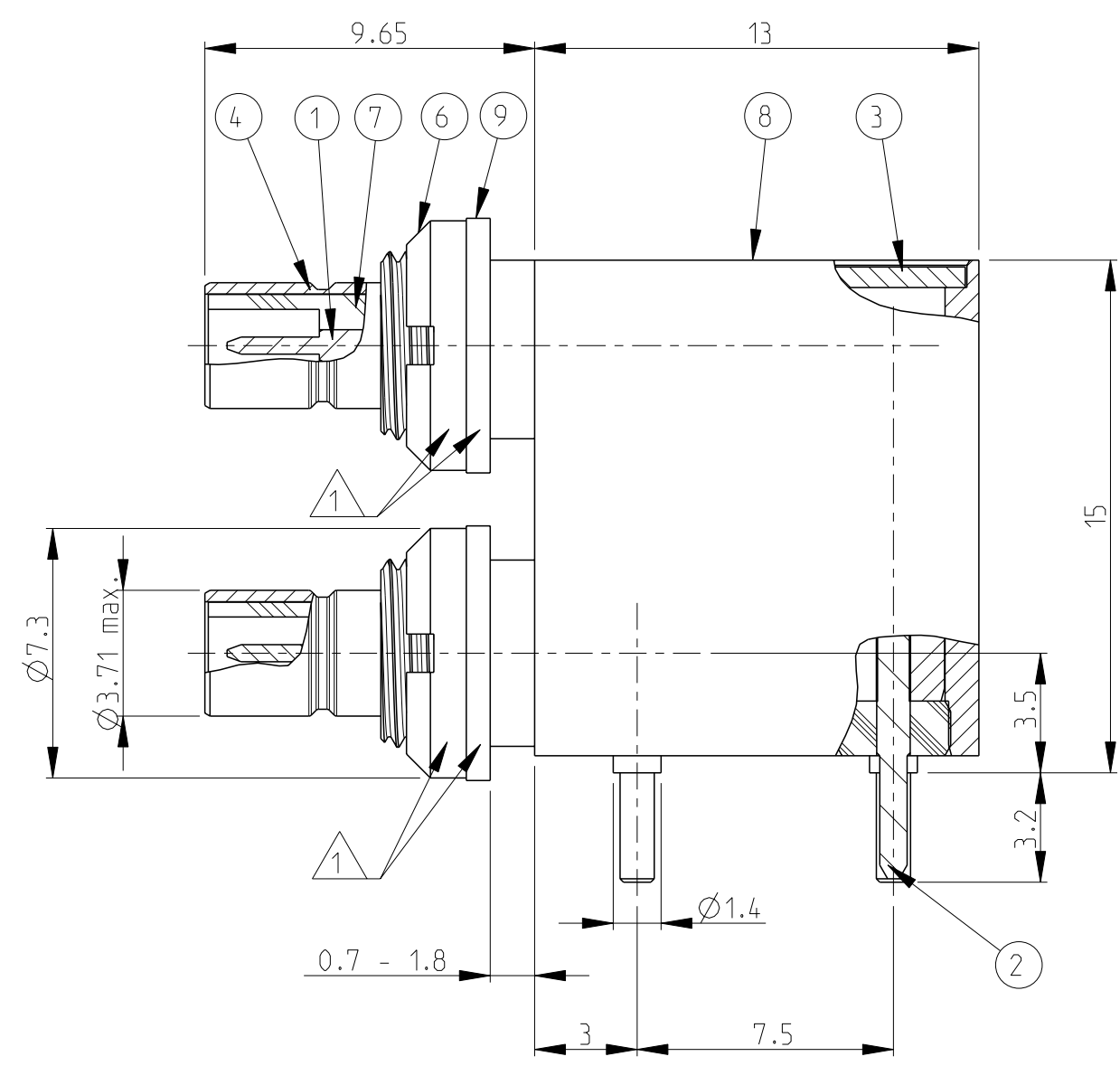


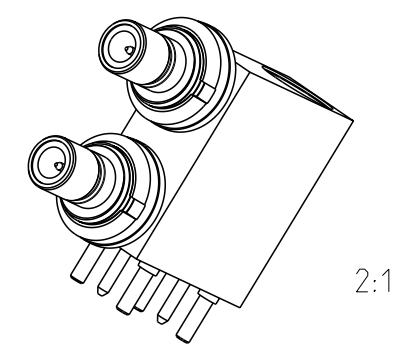
THIS DRAWING IS UNPUBLISHED. RELEASED FOR PUBLICATION 2007
 © COPYRIGHT 2007 BY TYCO ELECTRONICS CORPORATION. ALL RIGHTS RESERVED.

LOC DIST
 GW -

| REVISIONS | | | | | |
|-----------|-----|--------------------------|-----------|-----|------|
| P | LTR | DESCRIPTION | DATE | DWN | APVD |
| 51 | | First issue | 23OCT2007 | AM | DB |
| 52 | | Added washer | 05NOV2007 | AM | DB |
| A | | Released to production | 11JAN2008 | AM | DB |
| A1 | | REVISE PER ECO-17-013455 | 13SEP2017 | LN | RS |

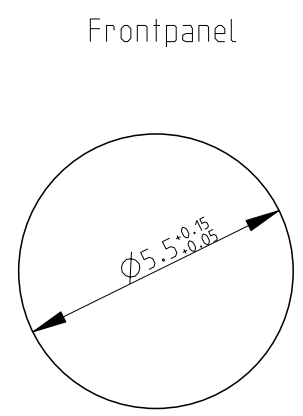
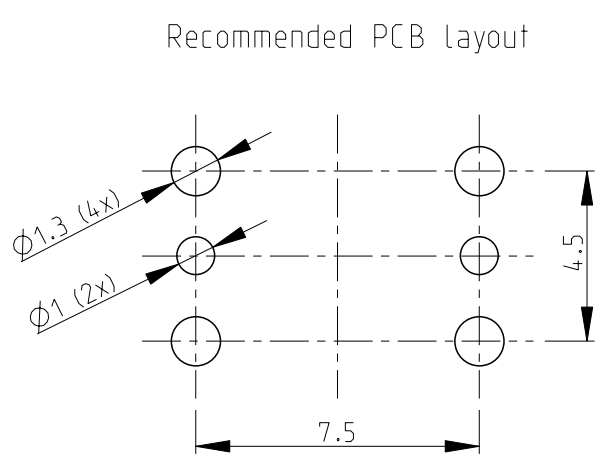


OBSOLETE



2. Mating face according to CECC 22130
 1. Supplied as loose part

| Part Nr | Description | Item | Material | Plating |
|----------|-----------------|------|------------|---------------------------------|
| 619348-1 | Washer | 9 | Brass | 2 μm Ni min. |
| | Body | 8 | Brass | 2 μm Ni min. |
| | Dielectric | 7 | PTFE | - |
| | Nut | 6 | Brass | 2 μm Ni min. |
| | Outer con. pin | 5 | Brass | 3 μm Sn min. over Ni |
| | Outer Con. | 4 | Brass | 0.1 μm Au min over 2 μm NiP min |
| | Cap | 3 | CuNi18Zn20 | - |
| | Center con. pin | 2 | Brass | 3 μm Sn min. over Ni |
| | Center Con. | 1 | Brass | 0.1 μm Au min over 2 μm NiP min |



| | | | | | | | |
|--------------------|--|---|--|--|--|---|--|
| DIMENSIONS: mm | | TOLERANCES UNLESS OTHERWISE SPECIFIED: 0 PLC ± 1 PLC ± 2 PLC ± 3 PLC ± 4 PLC ± ANGLES ± FINISH - | | DWN 23OCT2007 A.Mariotti CHK 23OCT2007 D.Bozzer APVD 23OCT2007 D.Bozzer PRODUCT SPEC - APPLICATION SPEC - WEIGHT - | | Tyco Electronics Lugano - Switzerland NAME RIGHT-ANGLE BULKHEAD JACK WITH PCB CONNECTION SMB 50 Ohm SIZE A3 CAGE CODE 00779 DRAWING NO C-619348 RESTRICTED TO - | |
| MATERIAL - | | | | CUSTOMER DRAWING | | SCALE 5:1 SHEET 1 OF 1 REV A1 | |