



# Single Port RJ45 Connector

AR11-4503I

- 10/100/1000 Gigabit Base-T for Ethernet, LAN, WAN and other networking applications
- For PoE+ Applications. Compliant with IEEE802.3at
- Balanced DC Current: 720mA Max @ 57VDC Continuous  
1.2A Max @ 57VDC for 200 Milliseconds
- Industrial Operating Temp: -40°C to +85°C
- RJ45 Jack cavity conforms to FCC rules and regulations Part 68



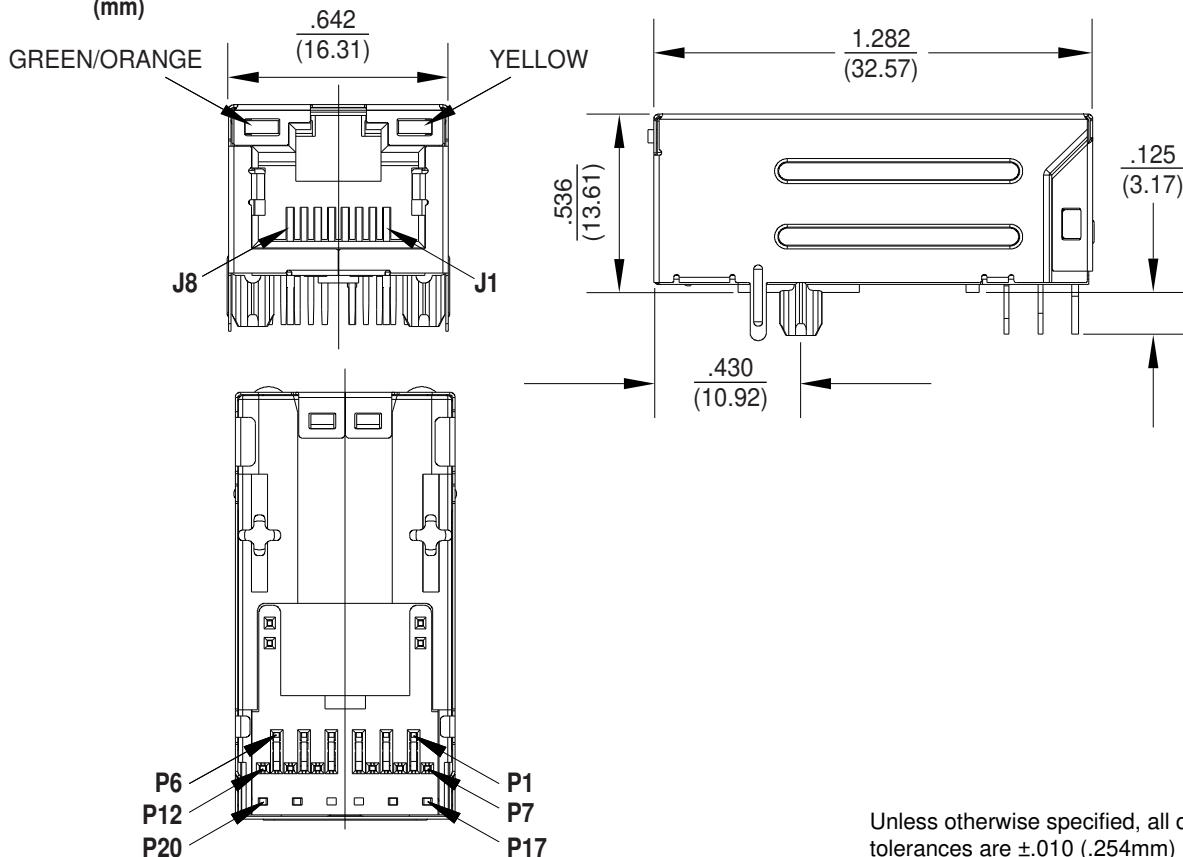
Electrical Specifications @25°C					
OCL(μH Min) @100KHz, 0.1V With 8mA DC BIAS	Turns Ratio (±5%)	Return Loss (dB Min)			
		1-40MHz	40-60MHz	60-80MHz	80-100MHz
350	1:1	-16	-12	-10	-8

Electrical Specifications @25°C					
Insertion Loss (dB Max)		Cross Talk (dB Min)	CMR (dB Min)	DCR (Ω Max)	Hi-Pot PHY-LINE
1-100MHz	100-125MHz	1-100MHz	1-100MHz		
-1.0	-1.2	-30	-30	1.2	2250VDC

All specifications subject to change without notice.

## MECHANICAL

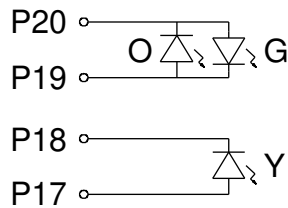
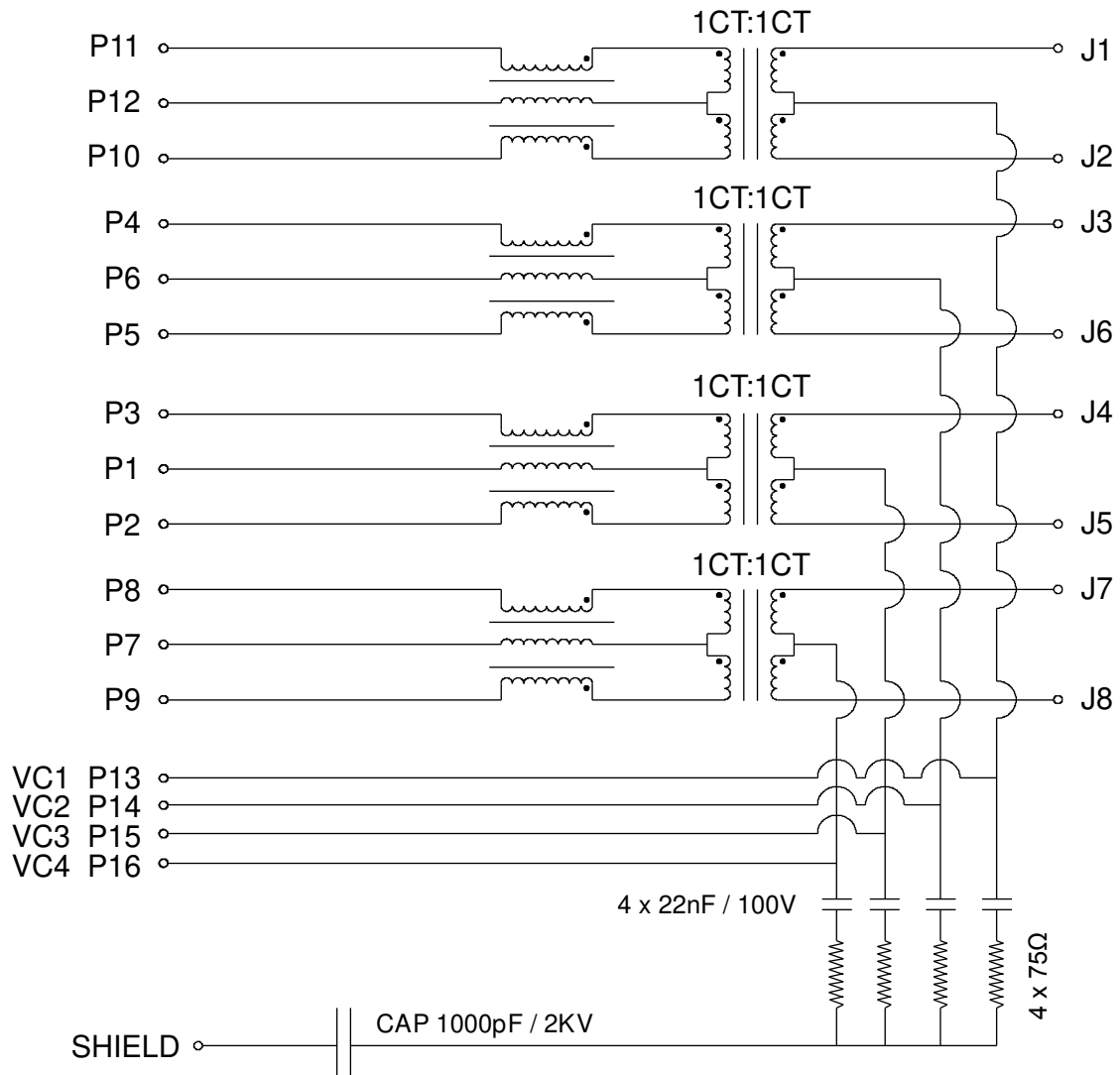
Dimensions:  $\frac{\text{inch}}{\text{mm}}$



Unless otherwise specified, all dimension tolerances are ±.010 (.254mm)



SCHEMATIC

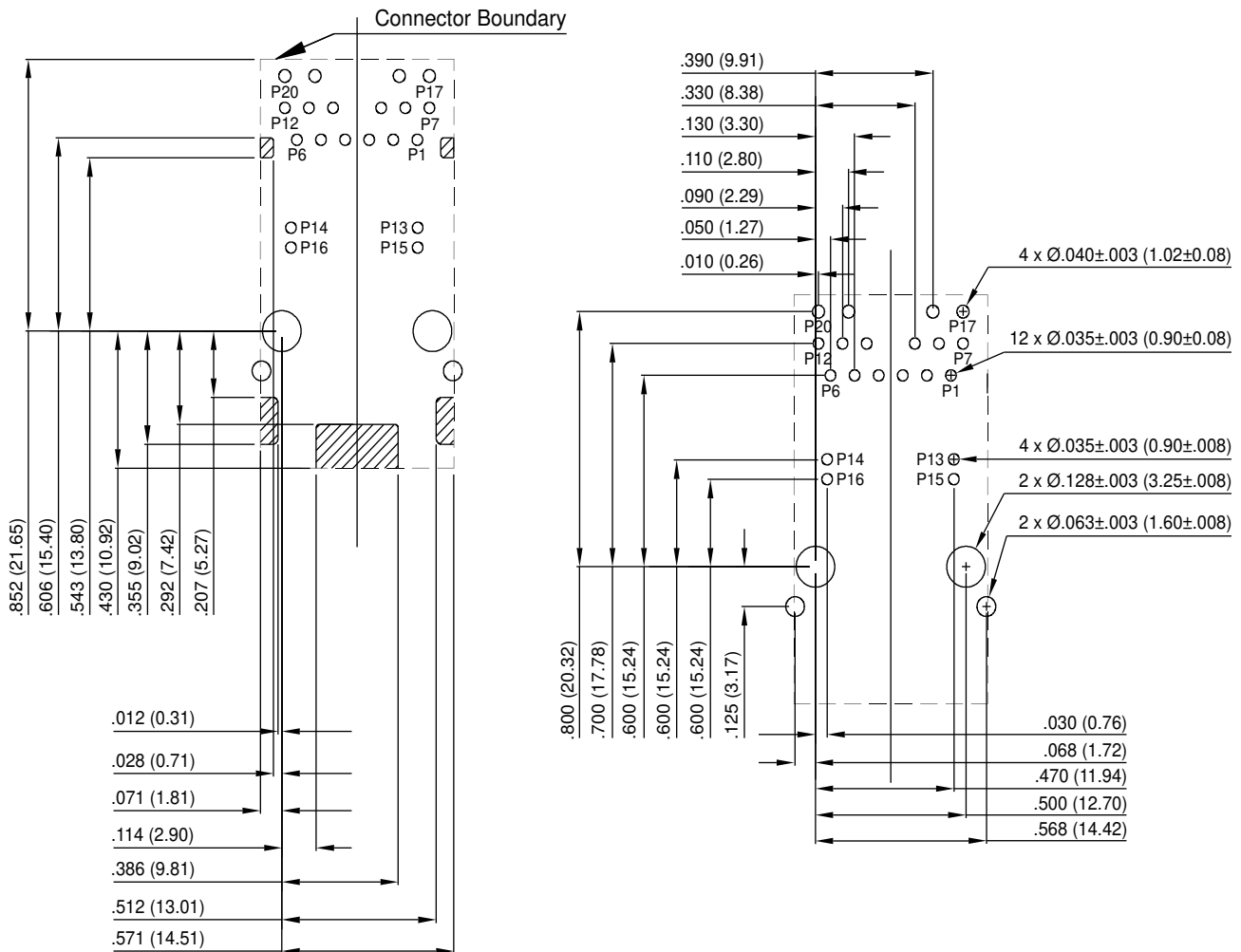


Pin	Yellow	Pin	Orange	Green
P17	-	P19	+	-
P18	+	P20	-	+



## MECHANICAL

Dimensions: inch (mm)



## NOTES

- Connector Material:  
Housing: Thermoplastic Black UL94V-0  
Shield: Brass  
Shield Plating: Nickel  
Contact: Phosphor Bronze  
Contact Plating: Selective gold,  $6\mu$ " min in contact area
- Pin not electrically connected may be omitted. See electrical drawing for omitted pins
- RJ45 cavities conform to FCC Rules and Regulation Part 68  
The part is recommended for wave soldering process peak
- soldering temperature is 260°C Max, 10 Sec Max