

PART NUMBER	REV	TERMINATOR	FEED TYPE	DESCRIPTION
1528940-1	A	LEADMAKER	MECH POST FEED	CUTS CARRIER
1528940-2	A	BENCH	MECH PRE FEED	CUTS CARRIER
1528940-6	A	LEADMAKER	MECH POST FEED	CONTINUOUS CARRIER
7-1528940-1	A	LEADMAKER	MECH POST FEED	-1 AND SPARE PARTS
7-1528940-2	A	BENCH	MECH PRE FEED	-2 AND SPARE PARTS
7-1528940-6	A	LEADMAKER	MECH POST FEED	-6 AND SPARE PARTS
7-1528940-7	A	-	-	SPARE PARTS KIT

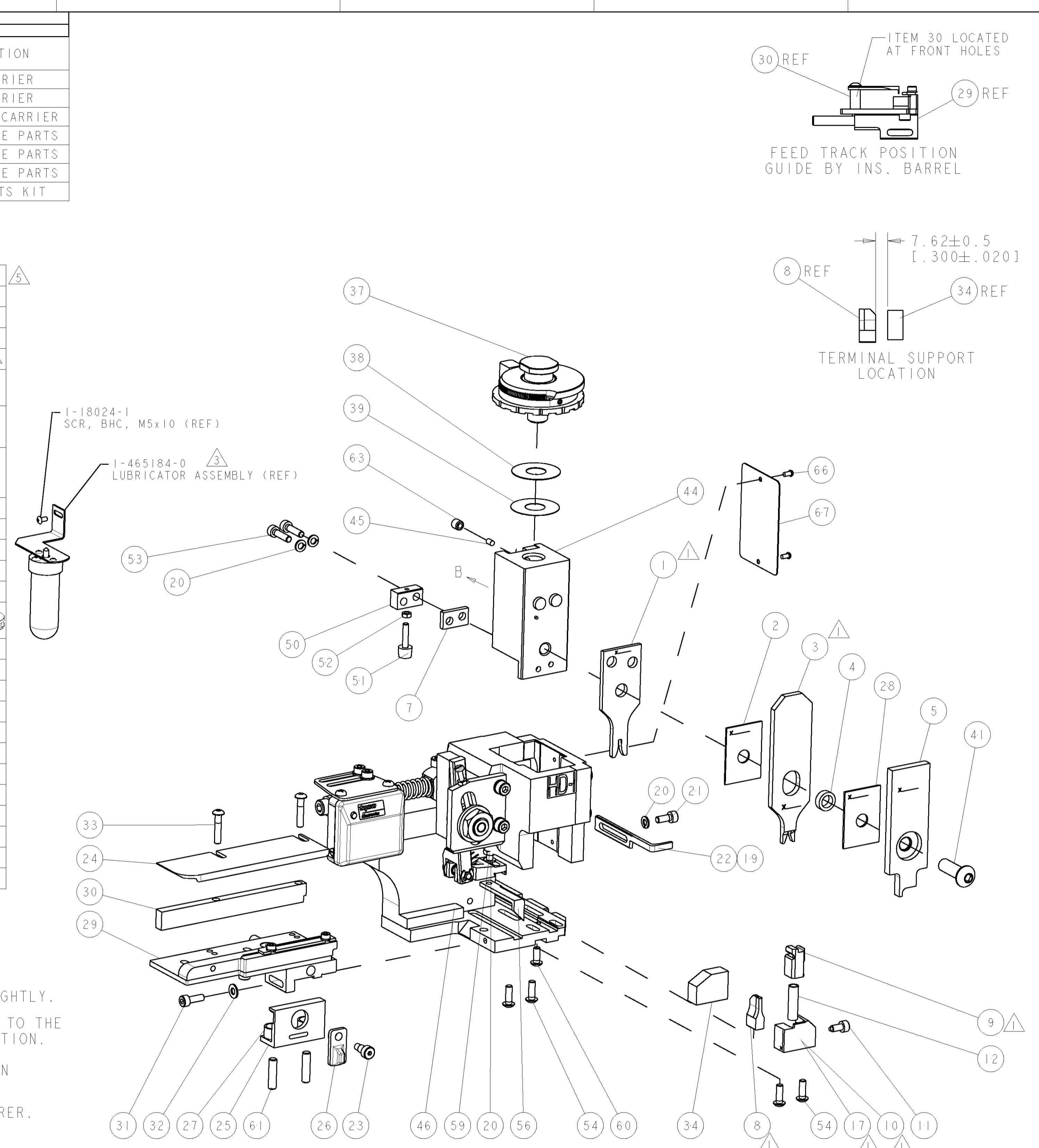
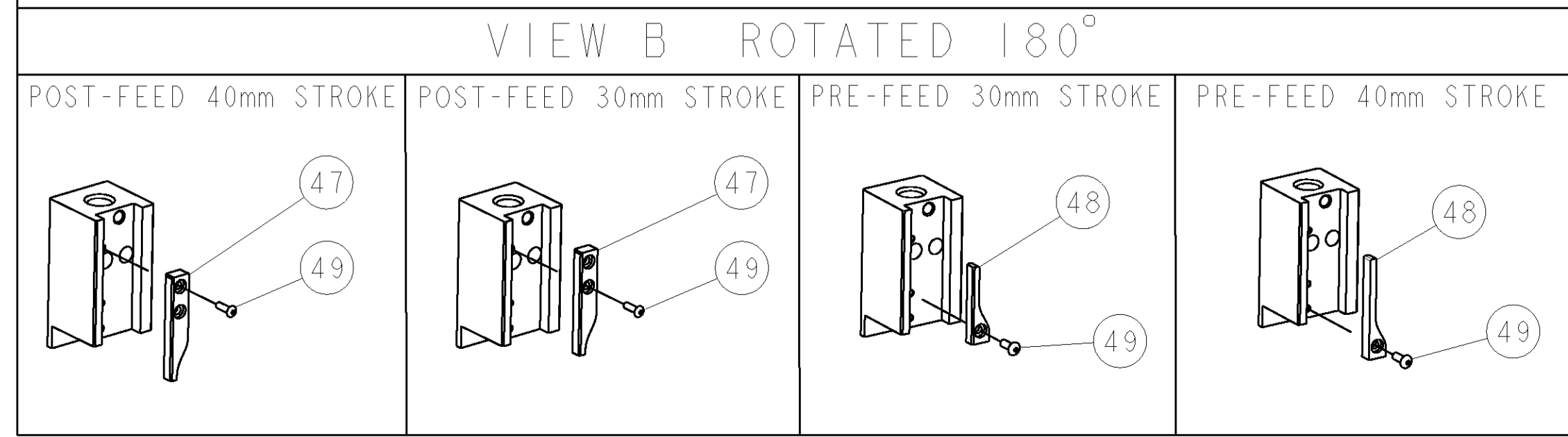
CRIMP	SIZE	TYPE	RANGE
WIRE	2.03 [1.080 IN]	F	0.50-1.00mm ²
INSUL	2.29 [1.090 IN]	SPECIAL	1.60-2.10 [1.063-.083 IN]

TE TERM PN	MANUF TERM PN	TE TERM PN	MANUF TERM PN
1949789-1	8100-3370	-	-

WIRE SIZE	CRIMP HEIGHT	REF SETTING
1.00mm ²	1.36 ± 0.05 [1.054 ± .002 IN]	C 5
0.75mm ²	1.27 ± 0.05 [1.050 ± .002 IN]	D 2
0.50mm ²	1.18 ± 0.05 [1.046 ± .002 IN]	E 0

- △ RECOMMENDED SPARE PARTS.
- 2. GREASE RAM, CAM, CAM FOLLOWER AND FEED ROD LIGHTLY.
- △ CERTAIN TERMINALS REQUIRE LUBRICATION. REFER TO THE APPLICATOR INSTRUCTION SHEET FOR MORE INFORMATION.
- 4. LUBRICATE DAILY PER THE APPLICATOR INSTRUCTION SHEET SUPPLIED WITH THE APPLICATOR.
- △ ALL CRIMP DATA SUPPLIED BY TERMINAL MANUFACTURER.
- △ TERMINAL APPLIES FLY A TYPE INSULATION.

*** WARNING**
ON INSTALLATION, SET WIRE DISC TO LARGEST WIRE SIZE SETTING. USE OF SETTINGS BELOW MIN. REQUIRED CRIMP HEIGHT SETTING WILL CAUSE DAMAGE TO CRIMP TOOLING.



LOC	DIST	REV	DESCRIPTION	DATE	DRW	APVD
A	66		SEE ECO-08-026711	27OCT2008	LJL	MC

-	-	-	-	-	-	-	-	-	-	73
-	-	-	-	-	-	-	-	-	-	72
-	1	1	1	1	1	1	1338705-3	DOCUMENTATION PACKAGE	-	71
-	-	-	-	-	-	-	-	-	-	70
-	-	-	-	-	-	-	-	-	-	69
-	-	-	-	-	-	-	-	-	-	68
-	1	1	1	1	1	1	461264-5	PLATE, IDENTIFICATION	-	67
-	2	2	2	2	2	2	21017-2	SCREW, DRIVE	-	66
-	-	-	-	-	-	-	-	-	-	65
-	-	-	-	-	-	-	-	-	-	64
-	1	1	1	1	1	1	3-18031-0	SCR, SET, CUP POINT M6 X 6.0	-	63
-	-	-	-	-	-	-	-	-	-	62
-	2	2	2	2	2	2	2-18032-5	SCR, SET, FLT POINT M5 X 20.0	-	61
-	1	1	1	1	1	1	18024-7	SCR, BTN SKT HD CAP (M4 X 10.0)	-	60
-	1	1	1	1	1	1	5-18022-2	SCR, HEX HD CAP M4 X 8.0	-	59
-	-	-	-	-	-	-	-	-	-	58
-	-	-	-	-	-	-	-	-	-	57
-	1	1	1	1	1	1	1338685-1	PAWL, FEED	-	56
-	-	-	-	-	-	-	-	-	-	55
-	4	4	4	4	4	4	18024-8	SCR, BTN SKT HD CAP (M4 X 12.0)	-	54
-	2	2	2	2	2	2	1-18023-3	SCR, SKT HD CAP M4 X 16.0	-	53
-	1	1	1	1	1	1	18030-1	NUT, HEX, REG M3	-	52
-	1	1	1	1	1	1	811242-5	BUMPER, HOLD DOWN	-	51
-	1	1	1	1	1	1	690753-2	SPACER, TONKER	-	50
-	1	1	1	1	1	1	18024-3	SCR, BTN SKT HD CAP (M3 X 10.0)	-	49
-	-	-	-	-	-	-	1338675-1	CAM, UNIVERSAL PRE FEED	-	48
-	1	1	1	1	1	1	1338676-1	CAM, UNIVERSAL POST-FEED	-	47
-	1	1	1	1	1	1	1320999-3	APPLICATOR SUBASSEMBLY, HDI	-	46
-	1	1	1	1	1	1	690191-1	PLUG, NYLON	-	45
-	1	1	1	1	1	1	1338660-1	RAM	-	44
-	-	-	-	-	-	-	-	-	-	43
-	-	-	-	-	-	-	-	-	-	42
-	1	1	1	1	1	1	2-18024-6	SCR, BTN SKT HD CAP (M8 X 25.0)	-	41
-	-	-	-	-	-	-	-	-	-	40
-	1	1	1	1	1	1	690125-1	SHIM SUB-ASSY	-	39
-	1	1	1	1	1	1	1-469367-0	SHIM	-	38
-	1	1	1	1	1	1	879103-3	FINE ADJUST HEAD ASSEMBLY	-	37
-	-	-	-	-	-	-	-	-	-	36
-	-	-	-	-	-	-	-	-	-	35
-	1	1	1	1	1	1	1-1320934-3	SUPPORT, TERMINAL	-	34
-	2	2	2	2	2	2	1-18024-0	SCR, BTN SKT HD CAP (M4 X 20.0)	-	33
-	1	1	1	1	1	1	18027-2	WASHER, FLAT, REG M4	-	32
-	1	1	1	1	1	1	1-18023-2	SCR, SKT HD CAP M4 X 12.0	-	31
-	1	1	1	1	1	1	1-1320908-5	SPACER, STRIP GUIDE	-	30
-	1	1	1	1	1	1	1633073-1	STRIP GUIDE ASSEMBLY	-	29
-	1	1	1	1	1	1	1-455888-0	SPACER, CRIMPER	-	28
-	2	2	2	2	2	2	1-22284-0	SPRING, COMPRESSION	-	27
-	1	1	1	1	1	1	356835-1	LEVER, DRAG RELEASE	-	26
-	1	1	1	1	1	1	240792-1	DRAG, TERMINAL	-	25
-	1	1	1	1	1	1	1320928-1	PLATE, STRIP GUIDE	-	24
-	1	1	1	1	1	1	980371-4	SCR, SKT HD SHLDR 5.0 DIA X 6.0	-	23
-	1	1	1	1	1	1	690472-2	STRIPPER	-	22
-	1	1	1	1	1	1	1-18023-1	SCR, SKT HD CAP M4 X 10.0	-	21
-	4	4	4	4	4	4	18025-2	WASHER, SPRG LOCK, REG M4	-	20
-	-	-	-	-	-	-	690472-1	STRIPPER	-	19
-	-	-	-	-	-	-	-	-	-	18
-	1	1	1	1	1	1	1338684-1	SHEAR HOLDER, FRONT	-	17
-	-	-	-	-	-	-	-	-	-	16
-	-	-	-	-	-	-	-	-	-	15
-	-	-	-	-	-	-	-	-	-	14
-	-	-	-	-	-	-	-	-	-	13
-	1	1	1	1	1	1	3-22280-3	SPRING, COMPRESSION	-	12
-	1	1	1	1	1	1	356885-4	STOP, SHEAR	-	11
-	-	-	-	-	-	-	1320921-1	SHEAR HOLDER, FRONT, CUT	-	10
-	1	1	1	1	1	1	454276-1	FLOATING SHEAR, FRONT	-	9
-	1	2	2	2	1	1	5-1633131-6	ANVIL, COMBINATION .080	-	8
-	1	1	1	1	1	1	240641-5	SPACER	-	7
-	-	-	-	-	-	-	-	-	-	6
-	1	1	1	1	1	1	1-455889-4	DEPRESSOR, SHEAR	-	5
-	1	1	1	1	1	1	4-238011-2	BLOCK, CRIMPER SPACER	-	4
-	1	2	2	2	1	1	1752766-2	CRIMPER, INSULATION, SPECIAL	-	3
-	1	1	1	1	1	1	455888-8	SPACER, CRIMPER	-	2
-	1	2	2	2	1	1	1-456405-6	CRIMPER, WIRE PREMIUM	-	1

-77	-76	-72	-71	-6	-2	-1	PART NO	DESCRIPTION	ITEM NO
-	-	-	-	-	-	-	-	-	84
-	-	-	-	-	-	-	-	-	83
-	-	-	-	-	-	-	-	-	82
-	-	-	-	-	-	-	-	-	81
-	-	-	-	-	-	-	-	-	80
-	-	-	-	-	-	-	-	-	79
-	-	-	-	-	-	-	-	-	78
-	-	-	-	-	-	-	-	-	77
-	-	-	-	-	-	-	-	-	76
-	-	-	-	-	-	-	-	-	75
-	-	-	-	-	-	-	-	-	74

DIMENSIONS: mm [IN] 		TOLERANCES UNLESS OTHERWISE SPECIFIED: 0 PLC ± 1 PLC ± 2 PLC ± 3 PLC ± 4 PLC ± ANGLES ±	
MATERIAL: -		FINISH: -	
WEIGHT: -		SCALE: 3:5	
CUSTOMER DRAWING: -		SHEET 1 OF 1	

DWN: J. LOUHOUSE CHK: M. CLIFFORD APVD: M. CLIFFORD DATE: 25SEP2008 NAME: FINE ADJUST SIDE FEED HDI APPLICATOR	Tyco Electronics Harrisburg, PA 17105-3608
--	---