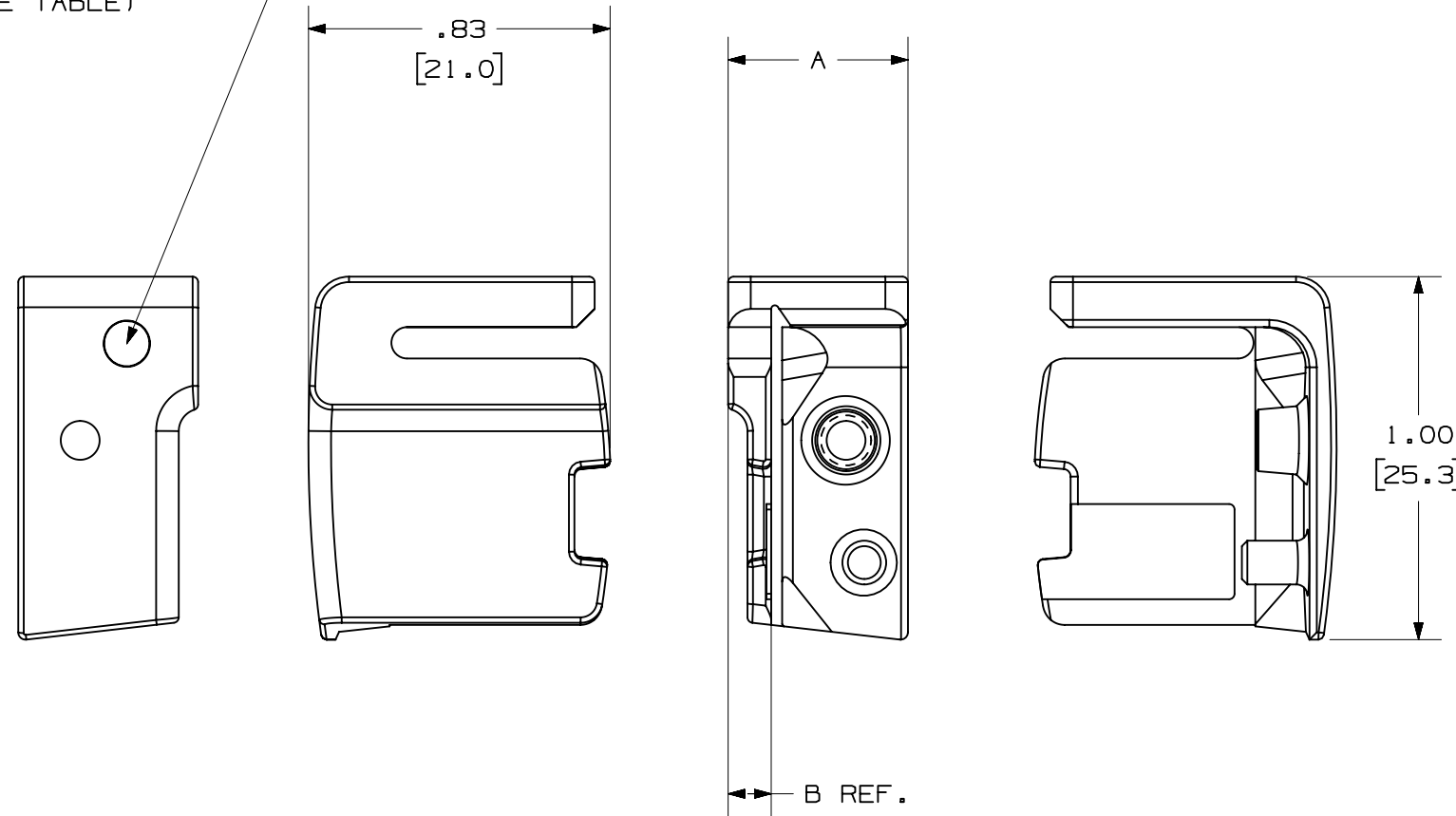


SEE NOTE

PART NO.	For use w/TOOLS:	DIM. A	DIM. B	Max. Cut-off Length	COLOR CODE
BG3GTH-E	GTH-E, GS4H-E	.49 (12.5mm)	.118 (3mm)	.118 (3mm)	WHITE

Color Code Paint Dot  
(SEE TABLE)



1. DIMENSIONS IN [ ] ARE METRIC.
2. ALL MATERIALS AND COMPONENTS USED MEET THE MATERIAL RESTRICTIONS OF RoHS (EUROPEAN DIRECTIVE 2011/65/EU ON THE RESTRICTION OF HAZARDOUS SUBSTANCES) AS PROPOSED BY THE RoHS TECHNICAL ADAPTATION COMMITTEE.
3. BLADE GUARD KITS INCLUDE:  
BLADE GUARD  
REPLACEMENT SCREW  
THREADLOCKER
4. CABLE TIE CUT-OFF LENGTH WILL NOT EXCEED MAX. CUT-OFF LENGTH IN TABLE. CUT-OFF LENGTH IS DEPENDENT ON VARIOUS ELEMENTS INCLUDING CABLE TIE STYLE, DISTANCE BETWEEN LOCKING SERRATIONS, CONDITION OF THE TIES (DRY VS. MOISTURE CONDITION), SPEED OF TOOL ACTUATION.



PART NUMBER		BG#GTH-E	
TITLE		Extended Blade Guard for GTH-E & GS4H-E	
CUSTOMER DRAWING			
ITEM REVISION NAME	R29226BA/12	<b>PANDUIT</b>	
DATASET FILE NAME	R29226BA-12-dwg1		
THIRD ANGLE PROJECTION		DRAWING NUMBER	
MATERIAL		N/A	
DRAWN BY		WH29226B01	
DATE	1/6/20	CHK	RDSE
SCALE	2:1	SHEET 1 OF 1	
DESCRIPTION		ECN	SIZE
01 1/24/20 LAH RDSE ALP INITIAL RELEASE		056506	B

REV	DATE	BY	CHK	APR	DESCRIPTION	ECN
01	1/24/20	LAH	RDSE	ALP	INITIAL RELEASE	056506

B

B

A

A

B-SIZE CUSTOMER