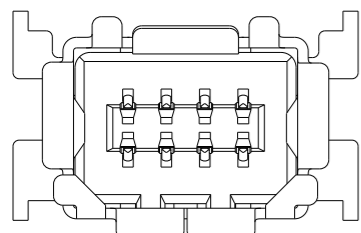


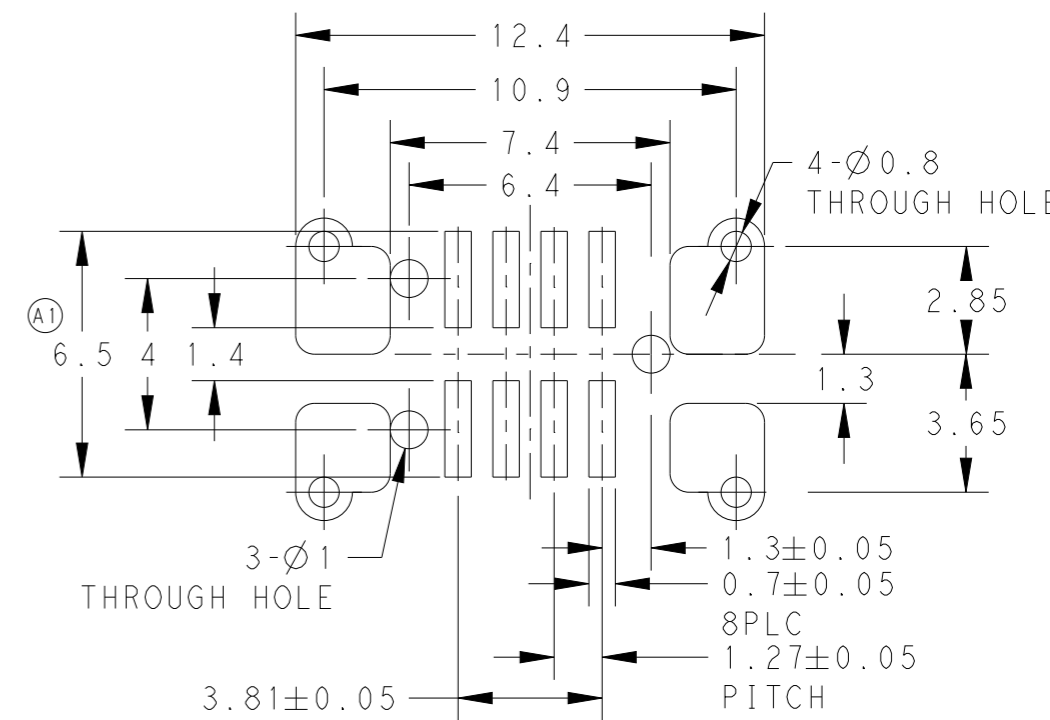
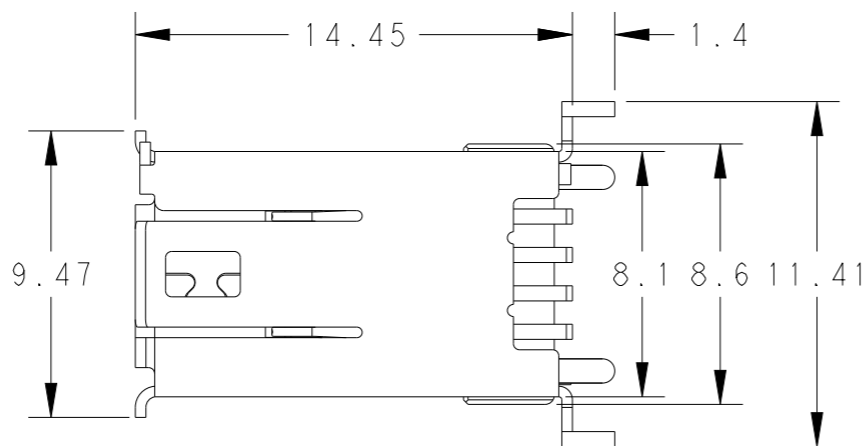
THIS DRAWING IS UNPUBLISHED. RELEASED FOR PUBLICATION. ALL RIGHTS RESERVED.

LOC	DIST
-	-

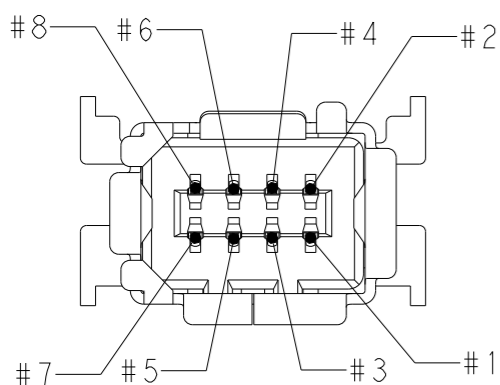
REVISIONS					
P	LTR	DESCRIPTION	DATE	DWN	APVD
A		NEW RELEASE	03MAR2013	H.W.	P.Y.
A1		REVISED	16OCT2013	H.W.	X.X.
A2		SUPERSEDED_PCN-21-114977	02DEC2021	SS	PJ
A3		REACTIVATE 1-1971885-1 AS RESTRICTED	01AUG2022	BP	JDB



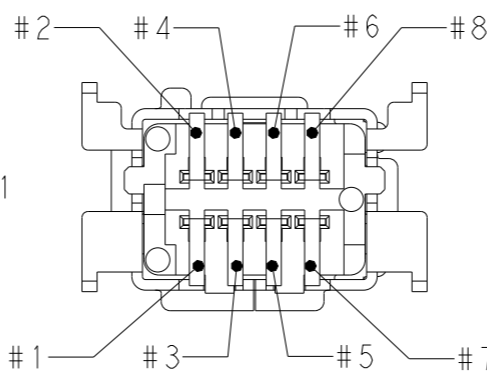
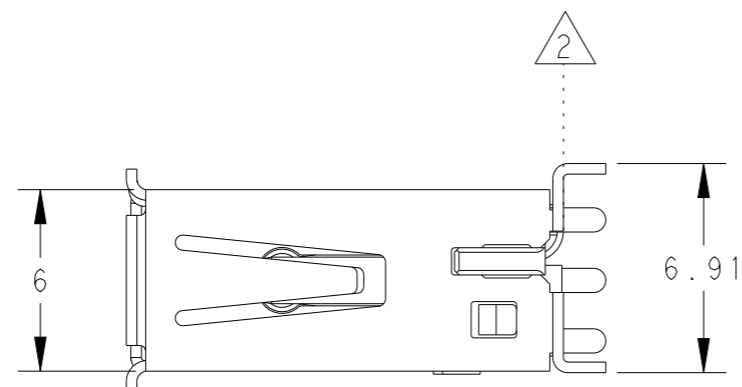
1971885-2  
TYPE II



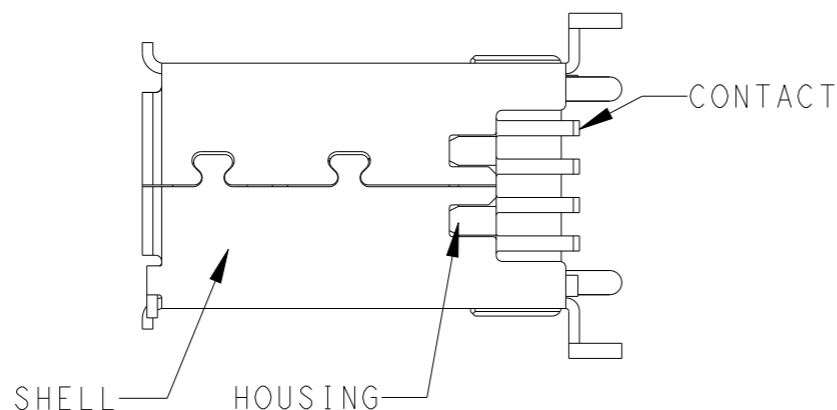
RECOMMENDED BOARD DIMENSION  
t=1.6  
SCALE 5:1  
GENERAL TOL.: ±0.1



1971885-1  
TYPE I



CIRCUIT NO



**SUPERSEDED BY: CUSTOMER RESTRICTED DRAWING**

NOTES:  
 1 MATERIAL AND FINISH  
 CONTACT: COPPER ALLOY  
 UNDER ALL SURFACE NICKEL 1.27µm MIN.  
 TOP CONTACT AREA: GOLD 0.5µm MIN  
 SOLDERING AREA: TIN PLATE  
 HOUSING: THERMO PLASTIC(UL94V-0)  
 SHELL: COPPER ALLOY  
 UNDER ALL SURFACE NICKEL  
 TOP ALL SURFACE TIN  
 2 COPLANARITY 0.1 MAX  
 (IN 8 TIPS OF CONTACTS AND 4 PEGS OF SHELL)  
 3 GENERAL TOL.: ±0.3; ±5°

<b>OBSOLETE</b>	8	TYPE II SMT RECEPTACLE WITH CAP	1-1971885-2
	8	TYPE I SMT RECEPTACLE WITH CAP	1-1971885-1
	8	TYPE II SMT RECEPTACLE	1971885-2
	8	TYPE I SMT RECEPTACLE	1971885-1
	POS	DESCRIPTION	PART NO

THIS DRAWING IS A CONTROLLED DOCUMENT.		DWN 03MAR2013 HOWELL WANG	<b>STE</b> TE Connectivity		
DIMENSIONS: mm		CHK 03MAR2013 DAVID WANG			
TOLERANCES UNLESS OTHERWISE SPECIFIED:		APVD 03MAR2013 PETER YIN	NAME SMT VERTICAL MINI I/O RECEPTACLE 1.27mm PITCH		
0 PLC ± 1 PLC ± 2 PLC ± 3 PLC ± 4 PLC ± ANGLES ± FINISH -		PRODUCT SPEC 108-106087	SIZE A3	CAGE CODE -	DRAWING NO 1971885
MATERIAL -		APPLICATION SPEC -	RESTRICTED TO -	SCALE 4:1 SHEET 1 OF 3 REV A3	
		WEIGHT -	CUSTOMER DRAWING		

4

3

2

1

THIS DRAWING IS UNPUBLISHED.

RELEASED FOR PUBLICATION

© COPYRIGHT - BY -

ALL RIGHTS RESERVED.

LOC DIST

REVISIONS

P	LTR	DESCRIPTION	DATE	DWN	APVD
-	-	SEE SHEET 1	-	-	-

295±3

257±2

25 PITCHX9=225

144±2

182±3

19.5 PITCHX6=117

SEE DETAIL A

14

16.2

13.4

8.4

DETAIL A

7.52

8.1

9.0

SECTION B-B

NOTE:  
4 PACKAGE:  
70PCS PER TRAY FOR 1971885-1 & 1971885-2

PACKAGE AS SHOWN	1971885-2 1971885-1
DESCRIPTION	PART NO

THIS DRAWING IS A CONTROLLED DOCUMENT.

DIMENSIONS: mm	TOLERANCES UNLESS OTHERWISE SPECIFIED:
	0 PLC ±-
	1 PLC ±-
	2 PLC ±-
	3 PLC ±-
	4 PLC ±-
ANGLES ±-	FINISH -
MATERIAL -	

DWN	SEE SHEET 1
CHK	SEE SHEET 1
APVD	SEE SHEET 1
PRODUCT SPEC	SEE SHEET 1
APPLICATION SPEC	-
WEIGHT	-
CUSTOMER DRAWING	

**STE** TE Connectivity

NAME  
SMT VERTICAL MINI I/O RECEPTACLE  
1.27mm PITCH

SIZE	CAGE CODE	DRAWING NO	RESTRICTED TO
A3	-	©-1971885	-
SCALE 4:1		SHEET 2 OF 3	REV A3

1470-19 (3/11)

THIS DRAWING IS UNPUBLISHED.

RELEASED FOR PUBLICATION

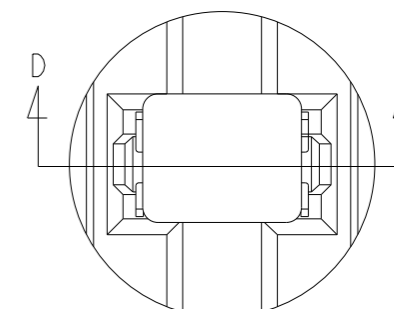
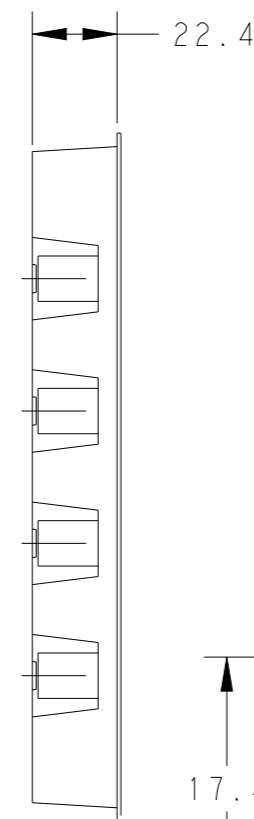
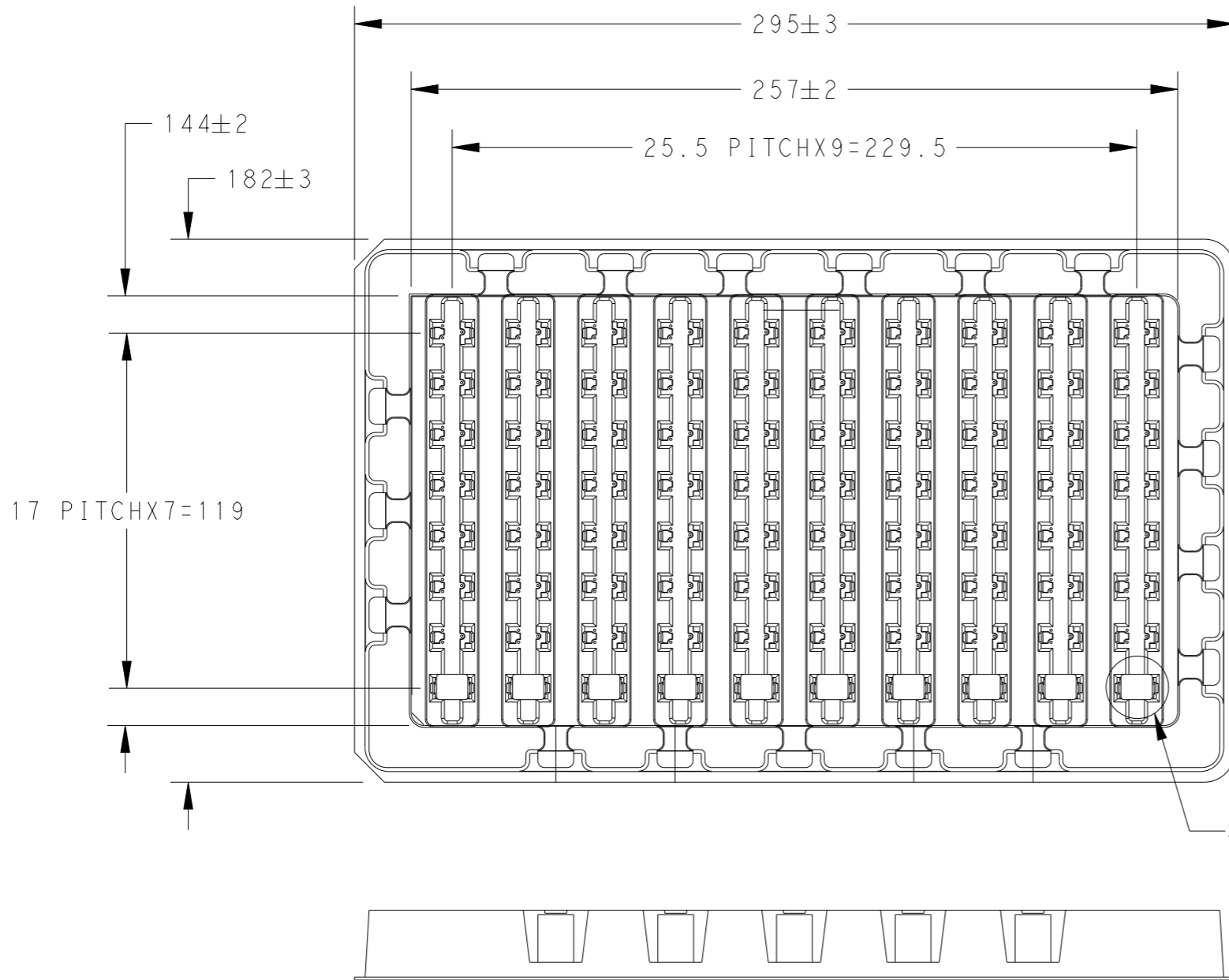
© COPYRIGHT - BY -

ALL RIGHTS RESERVED.

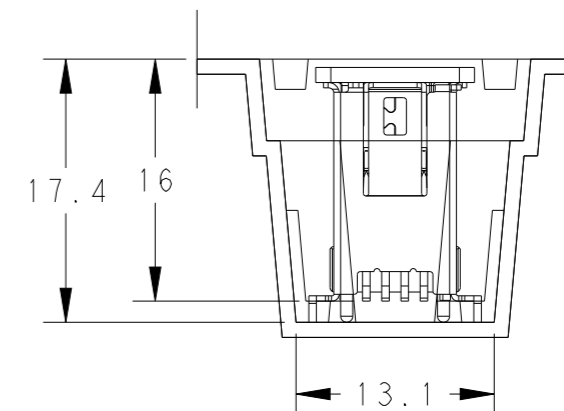
LOC - DIST -

REVISIONS

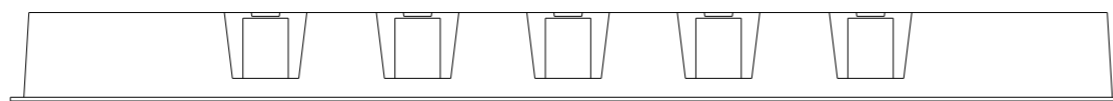
P	LTR	DESCRIPTION	DATE	DWN	APVD
-	-	SEE SHEET 1	-	-	-



DETAIL C



SECTION D-D



NOTE:  
 5 PACKAGE:  
 80PCS PER TRAY FOR 1-1971885-1 & 1-1971885-2

THIS DRAWING IS A CONTROLLED DOCUMENT.

DIMENSIONS:	TOLERANCES UNLESS OTHERWISE SPECIFIED:
mm	
	0 PLC ± -
	1 PLC ± -
	2 PLC ± -
	3 PLC ± -
	4 PLC ± -
	ANGLES ± -
MATERIAL -	FINISH -

DWN	SEE SHEET 1
CHK	SEE SHEET 1
APVD	SEE SHEET 1
PRODUCT SPEC	SEE SHEET 1
APPLICATION SPEC	-
WEIGHT	-
CUSTOMER DRAWING	

PACKAGE AS SHOWN	1-1971885-2 1-1971885-1
DESCRIPTION	PART NO

**STE** TE Connectivity

NAME SMT VERTICAL MINI I/O RECEPTACLE 1.27mm PITCH			
SIZE	CAGE CODE	DRAWING NO	RESTRICTED TO
A3	-	1971885	-
SCALE -		SHEET 3 OF 3	REV A3