

1 2 3 4 5 6 7 8

F

E

D

C

B

A

F

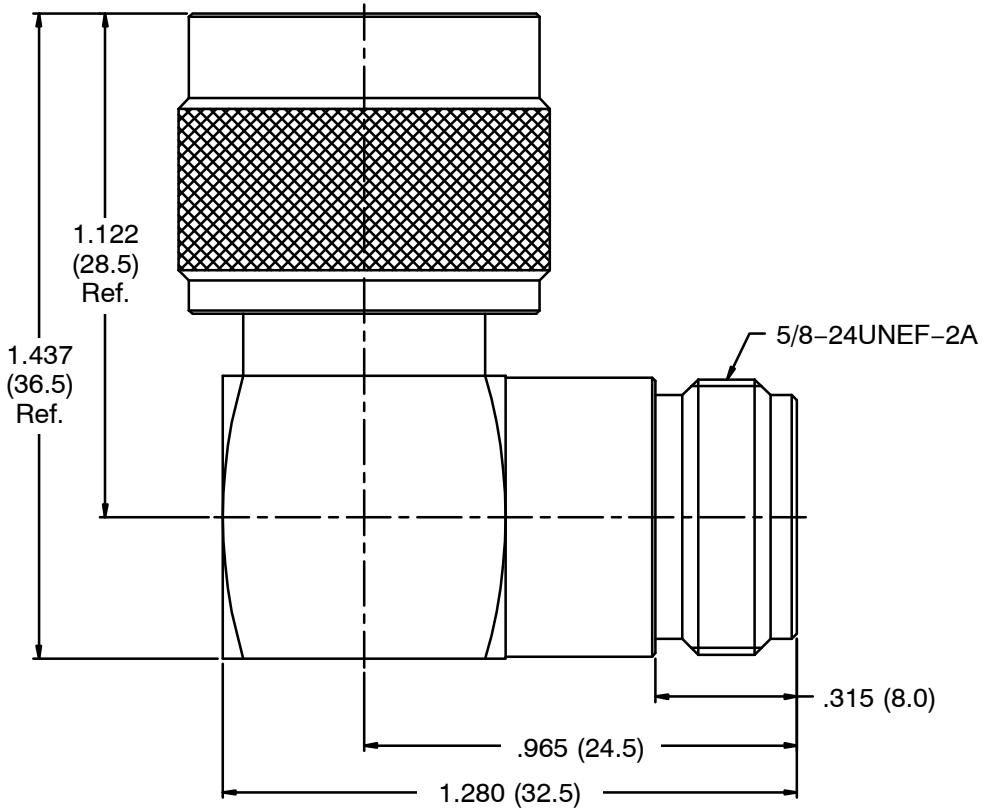
E

D

C

B

A



NOTES: Finish (Plating Thickness in Micro-inches)  
 1. Brass  
 2. Albaloy Plating (Copper-Tin-Zinc) Pl. 80 Min, Thick  
 3. Phosphor Bronze  
 4. Gold Pl. 5 Min Thick over Copper Pl. 50 Min. Thick  
 5. Teflon  
 6. Passivated

12	Cover	Note 1	Note 2	1	
11	Body	Note 1	Note 2	1	
10	Contact Pin	Note 3	Note 4	1	
9	Insulator	Note 5	Natural	1	
8	Contact Pin	Note 1	Note 4	1	
7	Retainer Ring	SUS 304	Note 6	1	
6	Gasket	Silicone	Red	1	
5	Contact Body	Note 1	Note 2	1	
4	Insulator	Note 5	Natural	1	
3	Body	Note 1	Note 2	1	
2	Housing	Note 1	Note 2	1	
1	Shell	Note 1	Note 2	1	
No.	Description	Material	Finish	Q'ty	Drawing No.

Dimensions are in Inches  
 Unless Otherwise Specified  
 Tolerances  
 0.5-6 = ±0.2  
 6-30 = ±0.4  
 30-120 = ±0.6  
 120-315 = ±1  
 315-1000 = ±1.6  
 1000-2000 = ±2.4

Part No.	
Approved	Date 12-20-2018
Checked	Date 12-20-2018
Drawn	Date 12-20-2018

<b>NTE Electronics</b>	
Title N Plug to Jack R/A Adapter	
Drawing No. 06-N014	
File No.	

RoHS Compliant

1 2 3 4 5 6 7 8