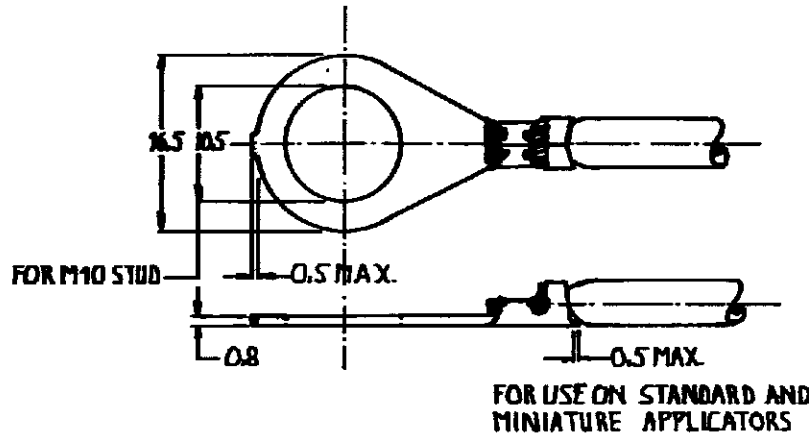
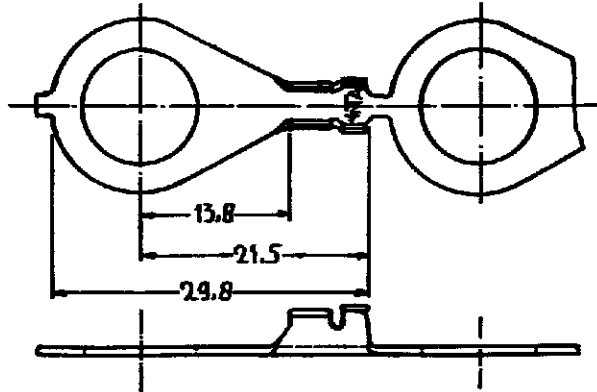


PART NUMBER C-160467-E

DRAWING MADE IN AMERICAN PROJECTION

REVISIONS

LTR	DESCRIPTION	DATE	DWN	APVD
B1	REVISED PER ECO-10-000445	11JAN10	KK	HMR
B2	REVISED PER ECR-14-017813	4DEC14	PK	TD
B3	REVISED PER ECR-15-001980	27FEB15	PK	TD



- ⚠ OBSOLETE PARTS: OBSOLETE CIS STREAMLINING PER D.RENAUD/D.SINISI
- ⚠ PART # 160467-4 REFERS TO "160467-2 WITH PAPER LAYERING".

CUSTOMER COPY FOR REFERENCE ONLY

©1981 BY AMP-HOLLAND N.V. ALL RIGHTS RESERVED A-MP PRODUCTS COVERED BY PATENTS AND/OR PATENTS PENDING.



AMP-HOLLAND B.V.
's-Hertogenbosch

WIRE-RANGE 1.0-2.5 mm	INSUL-RANGE 2.5-3.8 φ	FIRST USED
--------------------------	--------------------------	------------

SCALE 2:1	SIZE A	NO C-160467-E	REV B3
--------------	-----------	------------------	-----------

NAME RINGTONGUE WITH INS. SUPPORT

160467-4	BRASS	⚠
T00467-3	PHOSPHOR BR.	←→
160467-2	BRASS	TIN PLATED
160467-1	BRASS	←→
ORDER NO.	MATERIAL	PLATING
DR: 05-08-82	DATE	DE: DATE
CHK: 5.8.82	DATE	APP: 5.8.82

DIMENSIONS IN M.M. DO NOT SCALE PRINT