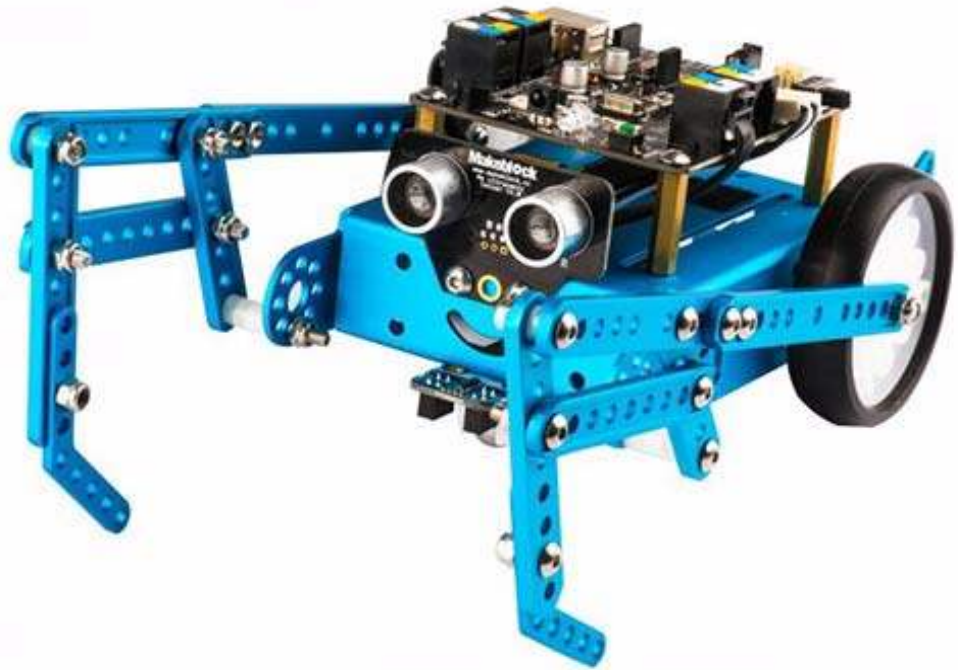




# mBot Add-on Pack - Six-legged Robot

SKU 114090001



mBot six-legged robot is a 3-in-1 expansion pack based on mBot.

You can construct "Beetle", "Mantis" and "Crazy Frog" with mBot and the parts inside the pack.

The mBot six-legged robot makes mBot more vivacious and enjoyable.

## Description

What is mBot six-legged robot?

mBot six-legged robot is a 3-in-1 expansion pack based on mBot.

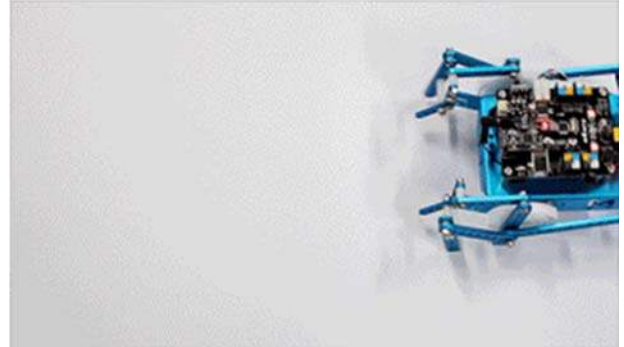
You can construct "Beetle", "Mantis" and "Crazy Frog" with mBot and the parts inside the pack.

The mBot six-legged robot makes mBot more vivacious and enjoyable. Let's get your six-legged robot move!

### **Shape one: Beetle**

A six-legged beetle that moves quickly.

It turns around and attacks the enemy promptly!



### **Shape two: Mantis**

It quietly crawls, waving two arms disposedly.

It is the hunter from the darkness,  
approaching you, and catching you...

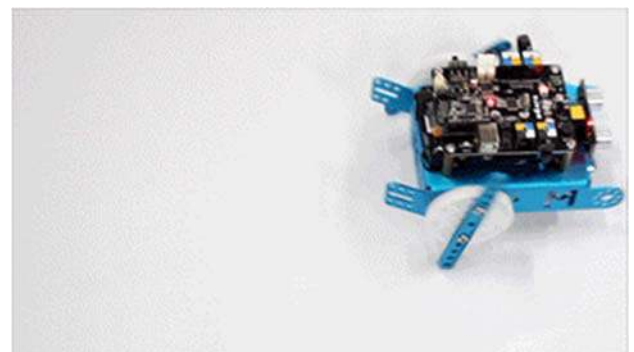


### **Shape three: Crazy Frog**

A little crazy frog,

dashes around so madly that,

nobody can stop it.

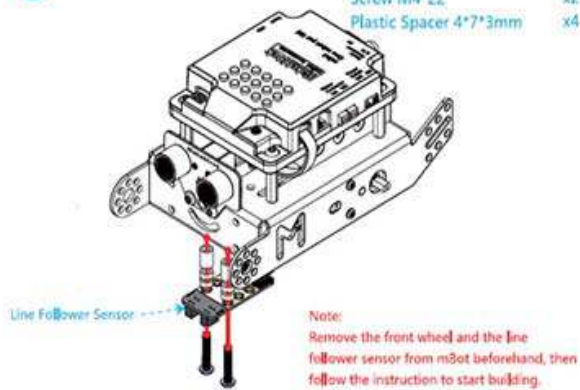


## Example:

### Assembling Step of the Six-Legged Robot

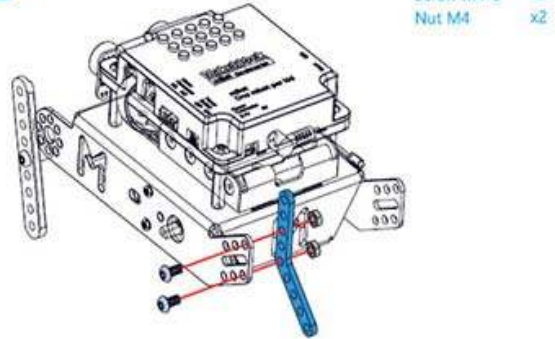
1

Plastic Spacer 4x7x10mm x2  
Screw M4\*22 x2  
Plastic Spacer 4\*7\*3mm x4



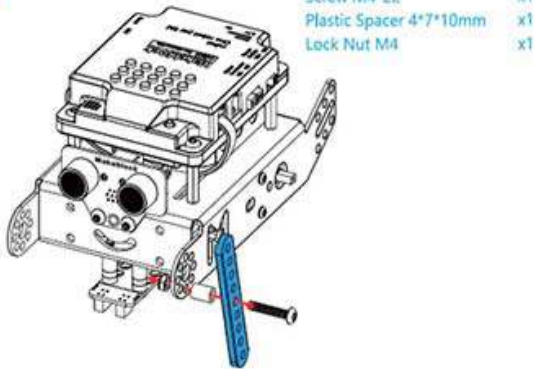
3

Plate 45° x1  
Screw M4\*8 x2  
Nut M4 x2



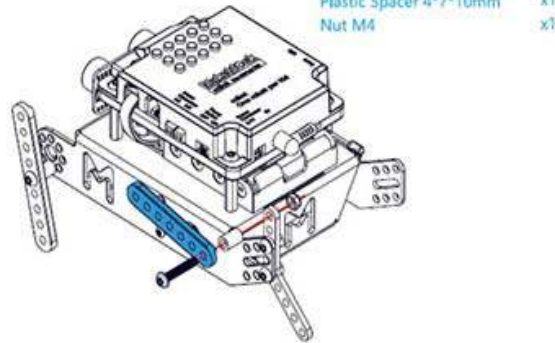
2

Beam0412-076-Blue x1  
Screw M4\*22 x1  
Plastic Spacer 4\*7\*10mm x1  
Lock Nut M4 x1



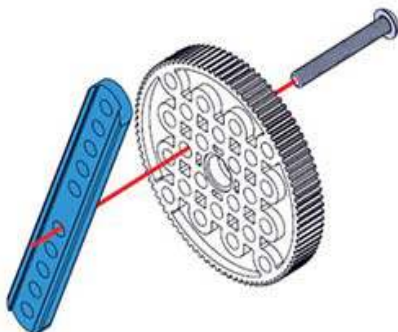
4

Beam0412-060 x1  
Screw M4\*22 x1  
Plastic Spacer 4\*7\*10mm x1  
Nut M4 x1



5

Screw M4\*30 x1  
Beam0412-092 x1



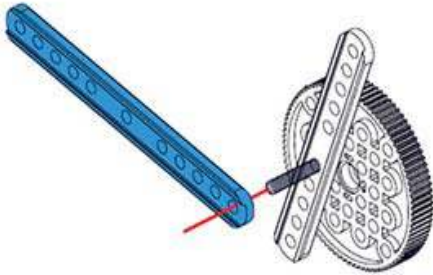
7

Beam0412-076 x1  
Lock Nut M4 x1



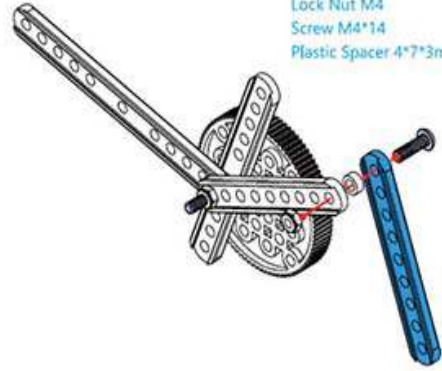
6

Beam0412-108 x1



8

Beam0412-076 x1  
 Lock Nut M4 x1  
 Screw M4\*14 x1  
 Plastic Spacer 4\*7\*3mm x1



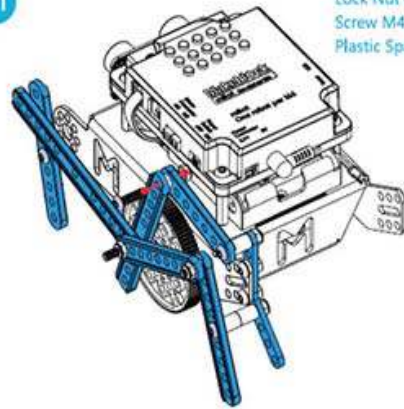
9



Note:  
 The self-drilling screw here is the same as the one in the original mBot.

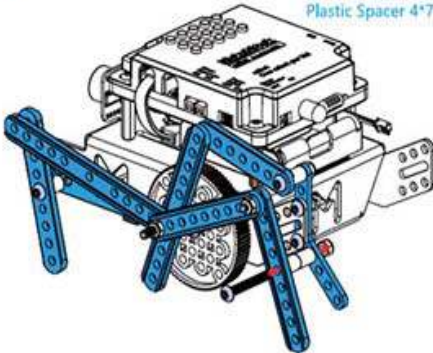
11

Lock Nut M4 x1  
 Screw M4\*14 x1  
 Plastic Spacer 4\*7\*3mm x1



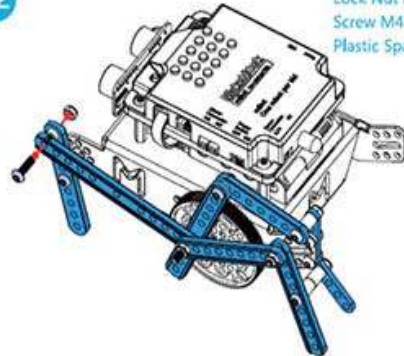
10

Screw M4x35 x1  
 Lock Nut M4 x1  
 Plastic Spacer 4\*7\*10mm x2



12

Lock Nut M4 x1  
 Screw M4\*14 x1  
 Plastic Spacer 4\*7\*3mm x1



Use the same method to build the other part on mBot. Let's continue to build the six-legged robot!

## Specifications

Model	mBot six-legged robot
Type	Expansion pack
Weight	255g (8.99oz)
Outer packing size (length×width×height)	100×60×150mm

## Part List

6 × Screw M4 x 8mm	8 × Screw M4 x 14mm	8 × Screw M4 x 22mm
4 × Screw M4 x 30mm	4 × Screw M4 x 35mm	8 × NutM4
16 × Lock Nut M4	12 × Plastic Spacer 4 x 7 x 10mm	14 × Plastic Spacer 4 x 7 x 3mm
24 × Rivet	2 × Beam0412-108-Blue	2 × Beam0412-092-Blue
6 × Beam0412-076-Blue	2 × Beam0412-060-Blue	2 × Plate 45°-Blue