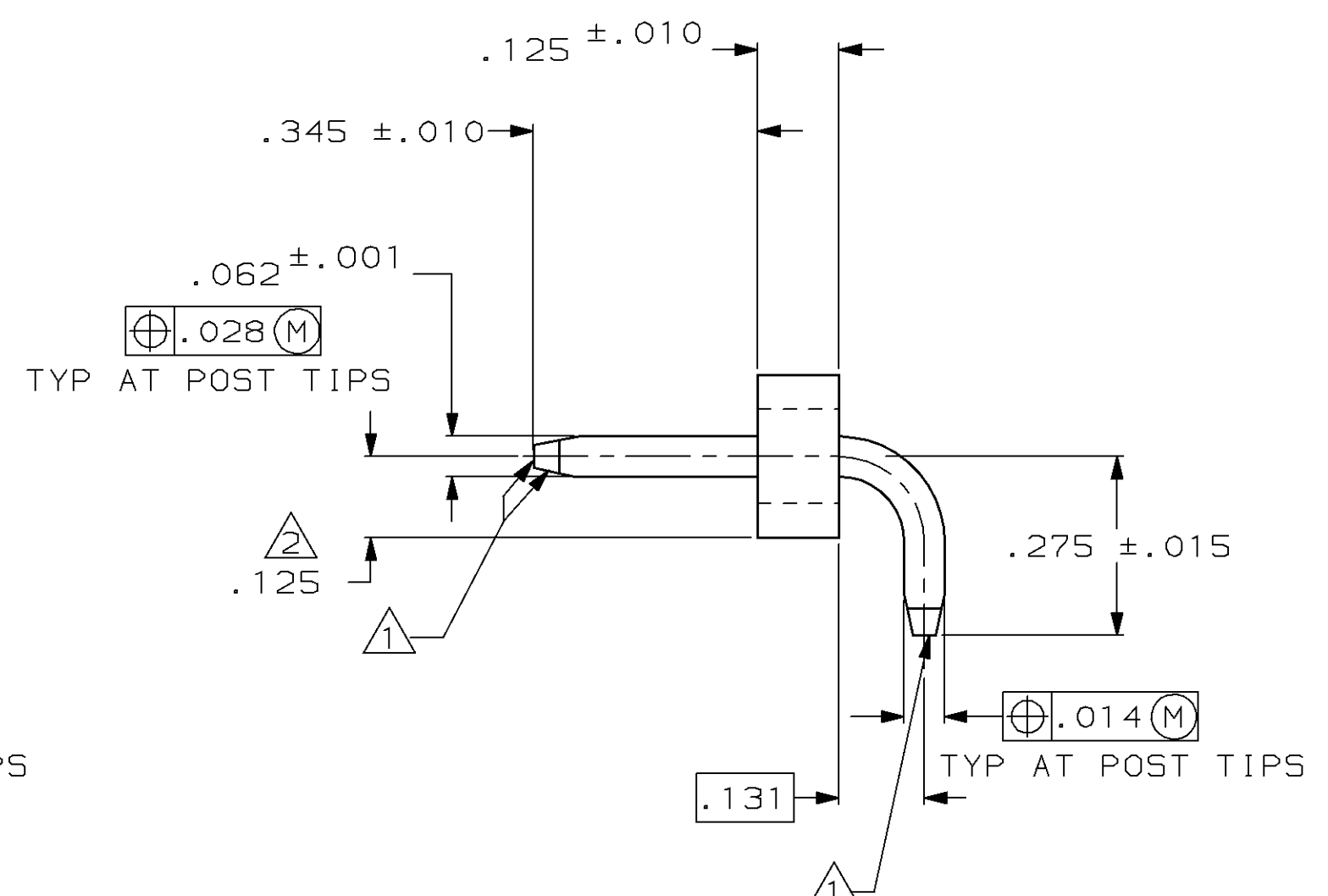
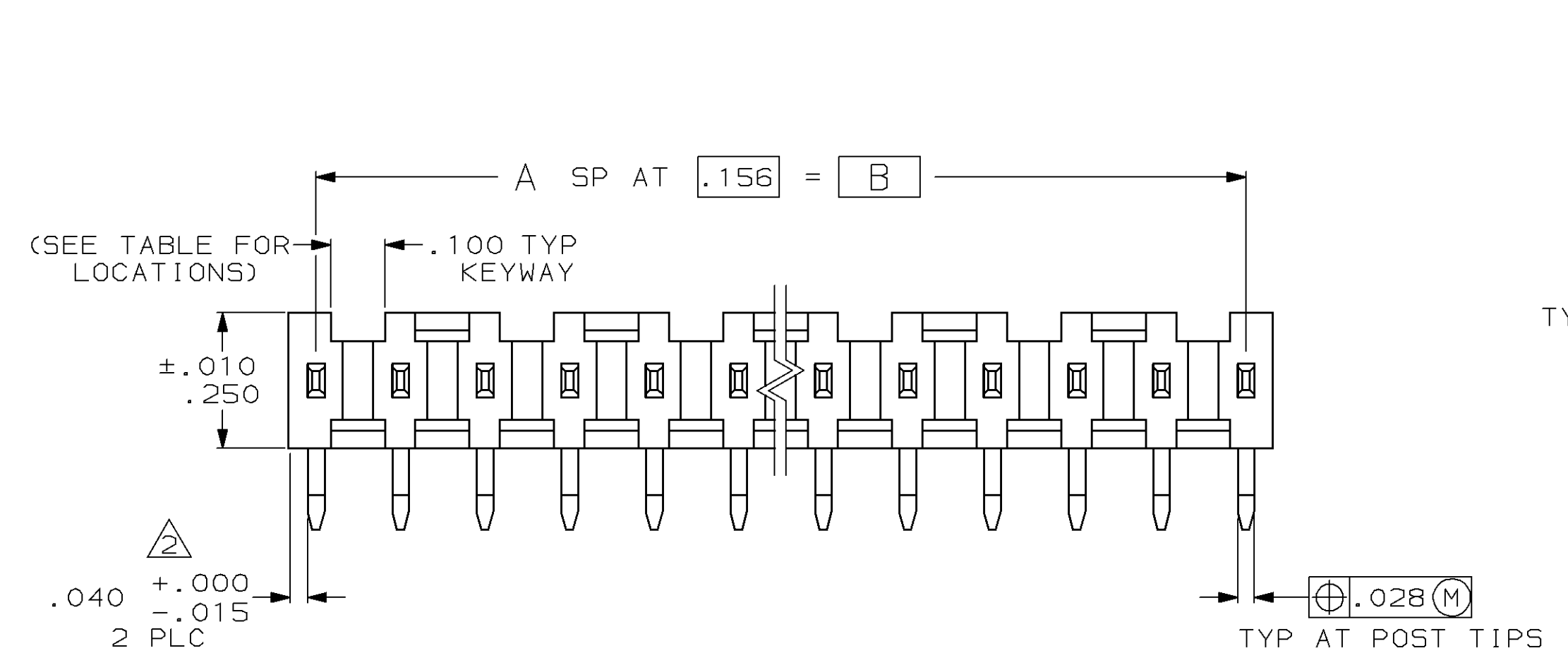
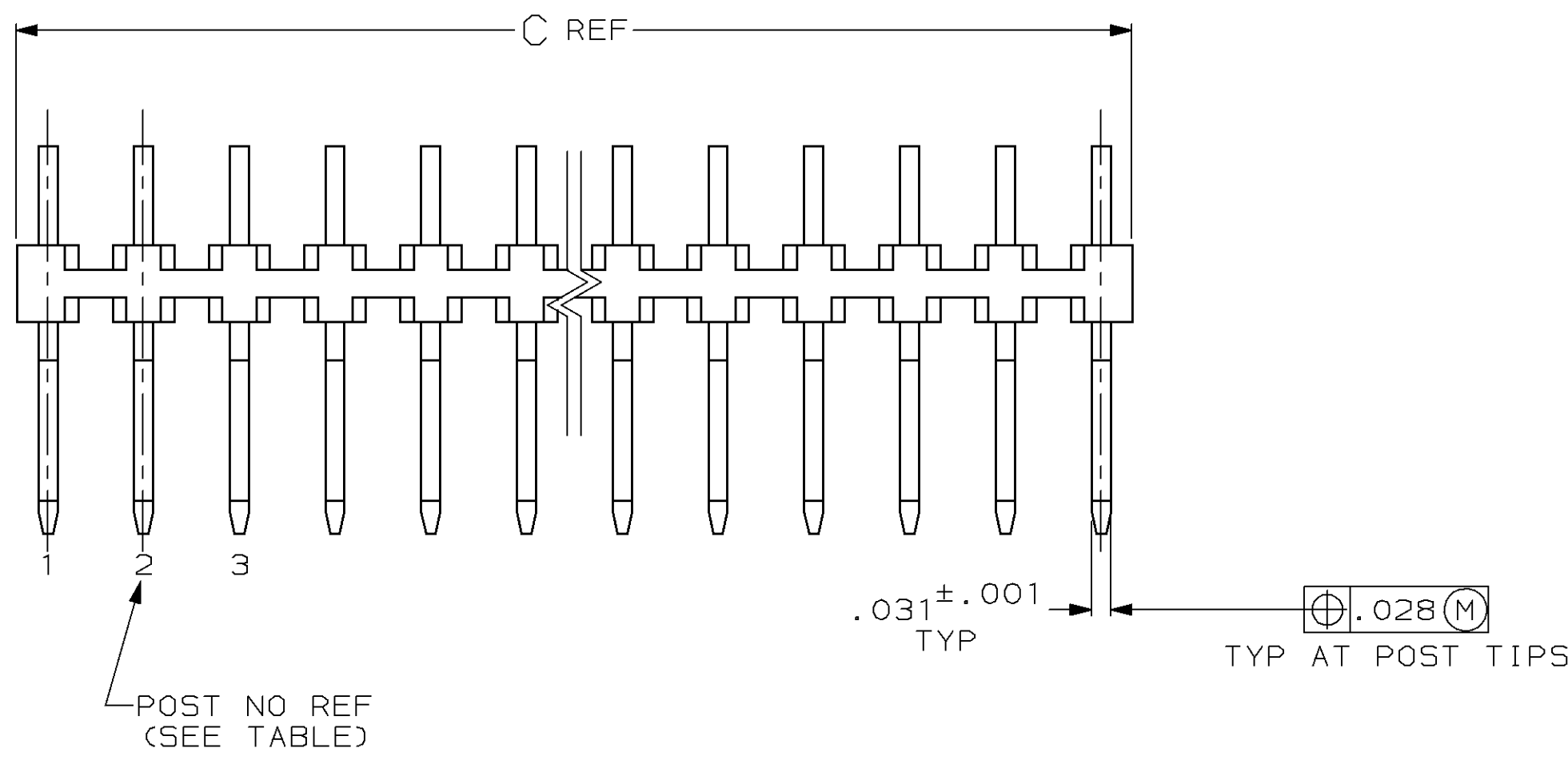
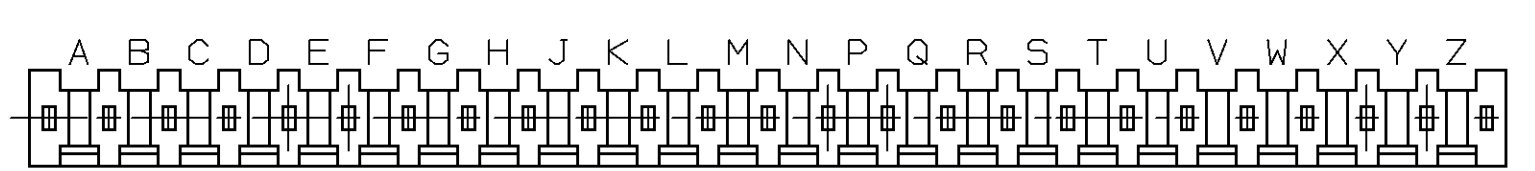
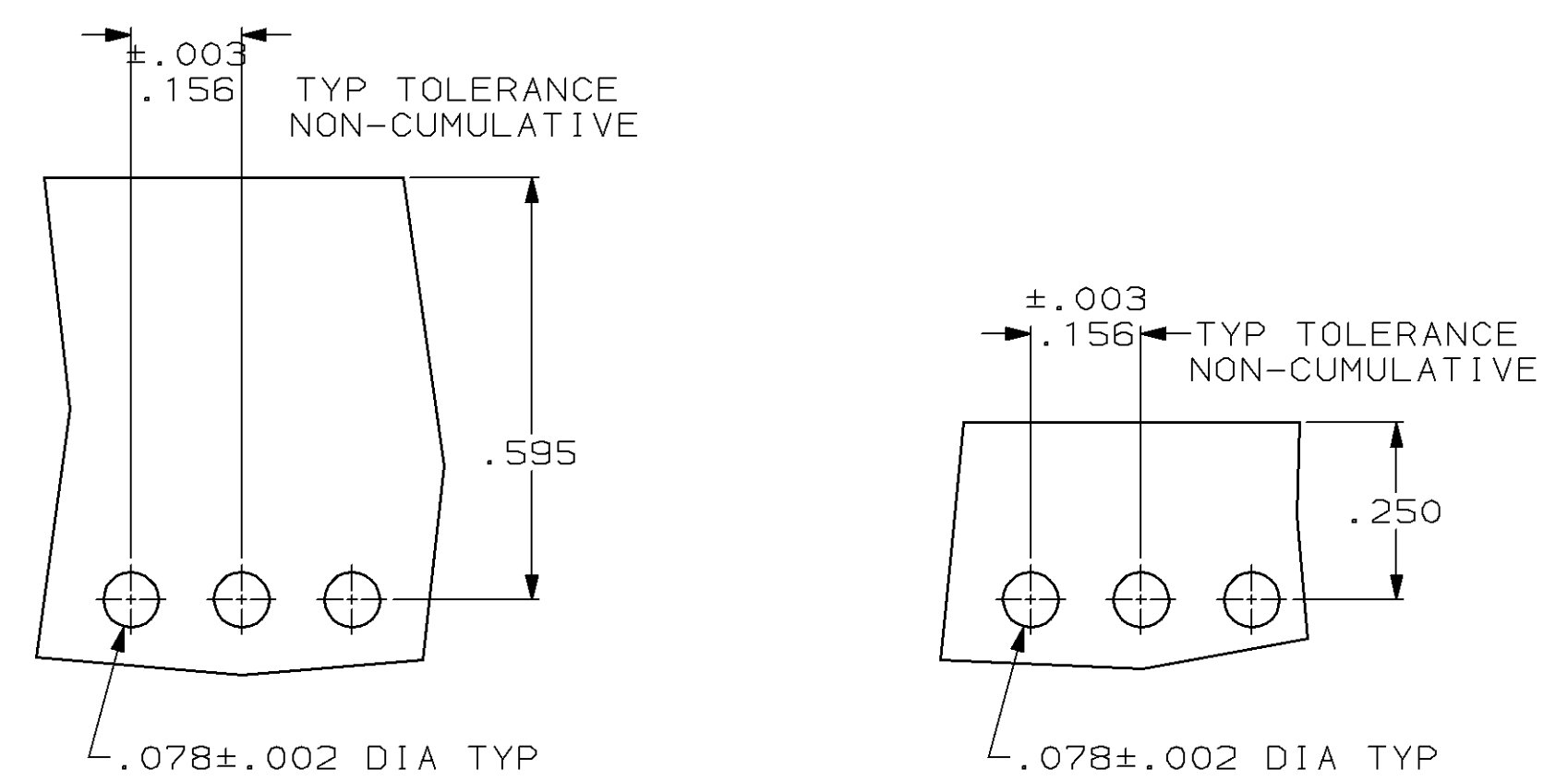


DRAWING MADE IN THIRD ANGLE PROJECTION
 THIS DRAWING IS UNPUBLISHED. RELEASED FOR PUBLICATION
 © COPYRIGHT 19 BY AMP INCORPORATED, HARRISBURG, PA. ALL INTERNATIONAL RIGHTS RESERVED. AMP PRODUCTS MAY BE COVERED BY U.S. AND FOREIGN PATENTS AND/OR PATENTS PENDING.

LOC		DIST		REV		ZONE		LTR		REVISIONS	
AD	39	P	F							DATE	APPD
				A						REV & REDRAWN ECN 1413 & 1575	
				B						REV LOC & DIST AD-4171	3-90 BF
				C						REV PER 0010-0719-95	4-4-96 JH
				D						REV PER 0310-0048-97	7-14-97 JH



1 THE TIPS OF THE POSTS WILL NOT BE PLATED
 2 THE NOTED DIMENSIONS APPLY AT THE INTERSECTION OF THE POST AND THE HOUSING



KEYWAY LOCATIONS (REF-SEE TABLE)
 (MATING LENGTH OF POST ON NEAR SIDE)
 SCALE: 2:1

POST NUMBER OMITTED	NO OF ACTIVE POSN	KEYWAY LOCATIONS	NO OF KEYWAY	C	B	A	NO OF POSN	ASSEMBLY PART NUMBER
4, 5	3	A, D	2	.735	.624	4	5	102969-1

UNLESS OTHERWISE SPECIFIED DIMENSIONS ARE IN INCHES TOLERANCES ON :		DR 3-22-88 H. MOLL	AMP INCORPORATED Harrisburg, Pa. 17105
2 PL DEC ± .005 3 PL DEC ± .005 ANGLES ± .005		CHK 3-23-88 E. TREECE	
MATERIAL HOUSING - FLAME RETARDANT THERMOPLASTIC, COLOR - BLACK		APPD 3-23-88 E. TREECE	NAME HEADER ASSEMBLY, MOD I, RIGHT ANGLE, SINGLE ROW, .156¢, SELECTIVELY LOADED
POSTS - BRASS FINISH POSTS: PRE-PLATED STOCK: .00015 GOLD OVER .000050 NICKEL		APPD 3-23-88 J. SCHIEFER	
		PRODUCT SPEC 108-25016	SIZE D
		APPLICATION SPEC -	FSCM NO 00779
		WEIGHT -	DRAWING NO 102969
			SCALE 4:1
			SHEET 1 OF 1