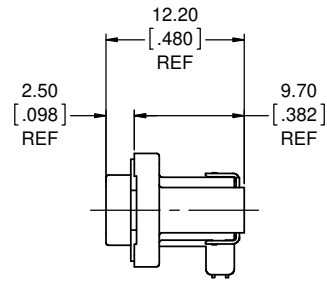
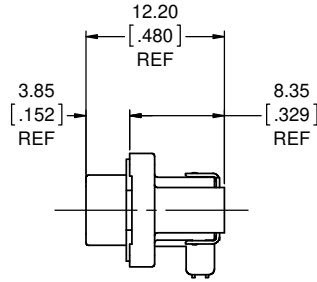


REVISIONS			
REV	DESCRIPTION, ECN, EAR NO.	DATE	APP'D
A	PROPOSAL DRAWING (EAR 14162)	SEP9/14	K.L.
B	UPDATED PCB LAYOUT (EAR 14162)	JUL8/15	K.L.

### FRONT FLANGE POSITION

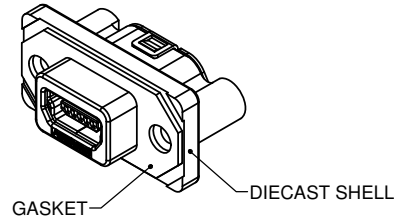
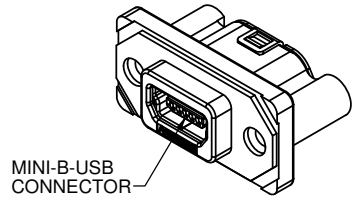


### REAR FLANGE POSITION

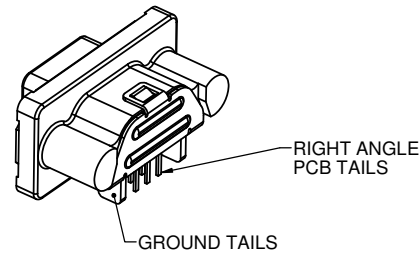
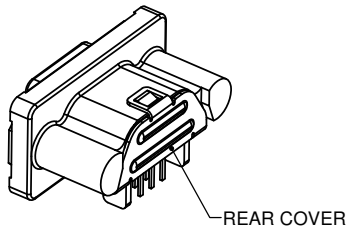


**ORDERING CODE: MUSB-R-B151-XX**

- SERIES, RUGGED USB
- USB MINI-B RECEPTACLE  
RIGHT ANGLE PCB TAILS
- FLANGE & THREAD OPTION
  - 3 = FRONT FLANGE POS'N,  
#2-56 UNC THREAD
  - 5 = REAR FLANGE POS'N,  
#2-56 UNC THREAD
  - M = FRONT FLANGE POS'N,  
M2.5 x 0.45 THREAD
  - T = REAR FLANGE POS'N,  
M2.5 x 0.45 THREAD
- DUST COVER OPTION
  - 0 = WITH NO DUST COVER SUPPLIED
  - 1 = WITH GREY DUST COVER SUPPLIED
  - 5 = WITH BLACK DUST COVER SUPPLIED



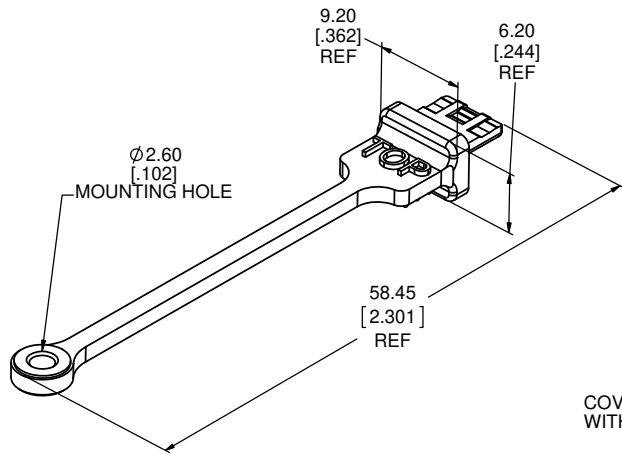
**SPECIAL CONNECTORS**  
MANY UNIQUE FEATURES ARE READILY AVAILABLE TO SUIT CUSTOMER REQUIREMENTS. CONSULT WITH AMPHENOL CANADA FOR DETAILS.



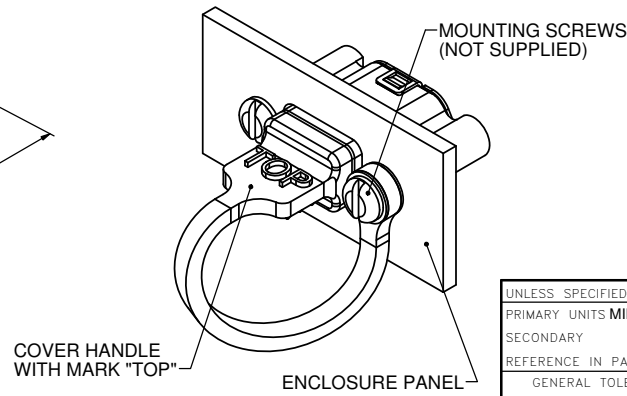
### NOTES:

- MATERIAL:  
ALL MATERIALS ARE RoHS COMPLIANT PER EU DIRECTIVE 2011/65/EU AND AMENDMENTS
  - OUTER SHELL: DIECAST ZINC ALLOY, MATTE TIN OVER NICKEL PLATED
  - CONTACTS: PHOSPHOR BRONZE, PLATED WITH 0.76 μm [30μ"] MINIMUM GOLD OVER 1.27 μm [50μ"] MINIMUM NICKEL ON THE MATING AREA WITH MATTE TIN OVER NICKEL ON THE TAILS
  - USB HOUSING: ENGINEERING THERMOPLASTIC LCP, HIGH TEMPERATURE RESISTANT, FLAMMABILITY RATING UL94V-0, BLACK
  - USB SHIELD & REAR COVER: STAINLESS STEEL, PASSIVATED
  - GASKET: CONDUCTIVE SILICONE RUBBER, BLACK
- ENVIRONMENTAL PERFORMANCE PER IEC 60529 CODE IP67 FOR SEAL BETWEEN MATING AREA AND PCB SIDE OF CONNECTOR. GASKET PROVIDES SEAL TO INSIDE FACE OF ENCLOSURE PANEL. AVAILABLE DUST COVERS PROVIDE ADDED PROTECTION.
- CURRENT RATING: 1 AMPERE.
- CONTACT RESISTANCE: 50 MILLIOHMS MAXIMUM.
- OPERATING TEMPERATURE: -40°C TO +105°C.
- DUST COVERS MAY BE ORDERED SEPARATELY. SPECIFY:
  - PART NUMBER MUSB-2E151-005BP FOR GREY COVER
  - PART NUMBER MUSB-2E151-015BP FOR BLACK COVER

### DUST COVER OPTION



### DUST COVER APPLICATION VIEW



UNLESS SPECIFIED OTHERWISE	DRAWN	B.COPPING	SEP10/14
PRIMARY UNITS MILLIMETERS	CHECKED	K.LAMBIE	SEP10/14
SECONDARY UNITS INCHES	M.E. APP'D		
REFERENCE IN PARENTHESES	Q.A. APP'D		
GENERAL TOLERANCES	DWG APPR.		
1 DECIMAL PLACE	ENG. REL. NO.	EAR 14162	
2 DECIMAL PLACES ±0.15	REF.		
3 DECIMAL PLACES	THIRD ANGLE PROJECTION		
ANGULAR DEGREES			

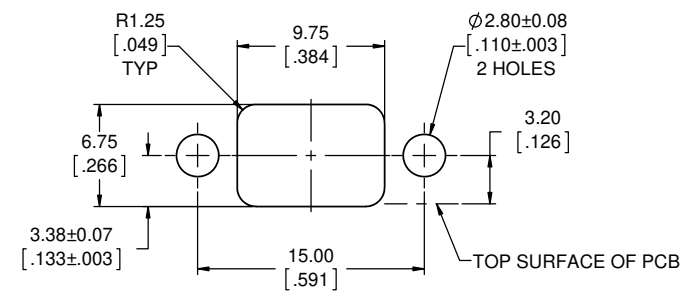
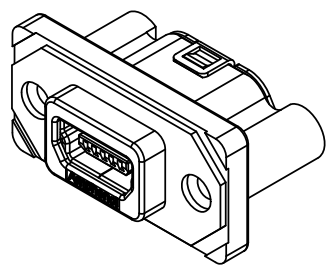
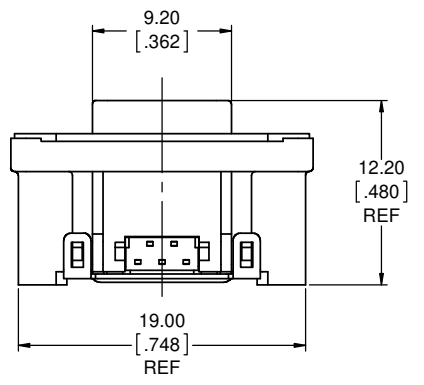
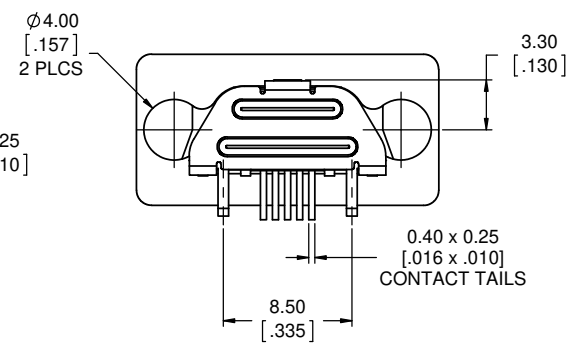
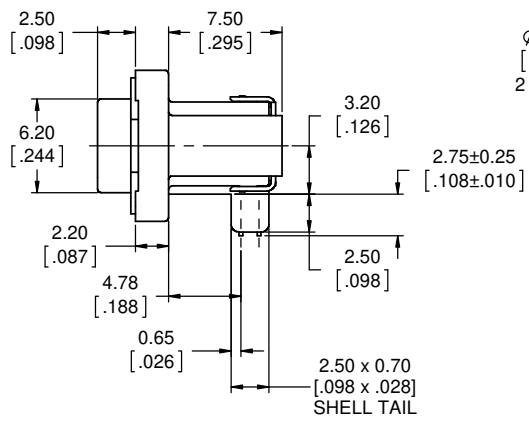
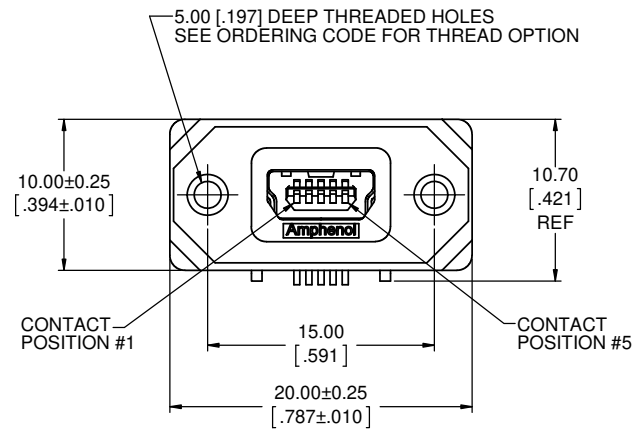
**Amphenol Canada Corp.**  
www.amphenolcanada.com

MUSB-R SERIES RUGGED USB MINI-B RECEPTACLE, RIGHT ANGLE PCB TAIL, FLANGE, THREAD & COVER OPTIONS, RoHS COMPLIANT

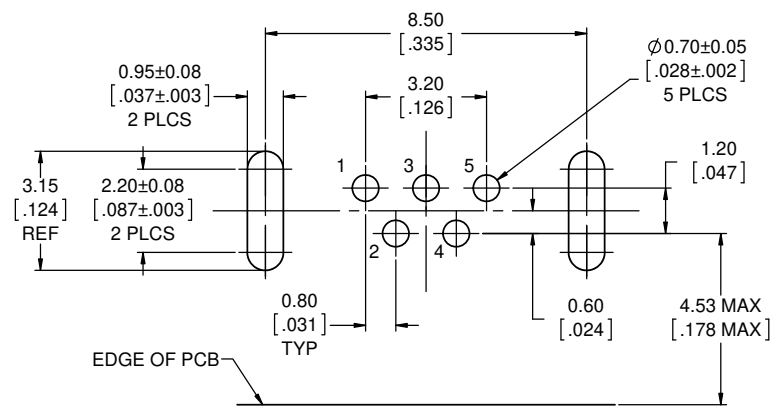
DWG. NO. **P-MUSB-R-B151-XX** REV **B**

CODE ID NO. 03554 DWG SIZE: X SCALE: 3:1 SHEET 1 OF 3

REVISIONS			
REV	DESCRIPTION, ECN, EAR NO.	DATE	APP'D
A	PROPOSAL DRAWING (EAR 14162)	SEP9/14	K.L.
B	UPDATED PCB LAYOUT (EAR 14162)	JUL8/15	K.L.



**RECOMMENDED PANEL CUTOUT**  
OUTSIDE VIEW OF PANEL



**RECOMMENDED PCB LAYOUT**  
COMPONENT SIDE OF BOARD

LOCATE HOLES  
⊕ Ø 0.13 [.005]  
POSITION DIMENSIONS  
ARE BASIC



**FRONT FLANGE POSITION SHOWN**

**AMPHENOL CANADA PART NUMBERS: MUSBR-B151-3X  
MUSBR-B151-MX**

UNLESS SPECIFIED OTHERWISE	DRAWN	B.COPPING	SEP10/14
PRIMARY UNITS MILLIMETERS	CHECKED	K.LAMBIE	SEP10/14
SECONDARY INCHES	M.E. APP'D		
REFERENCE IN PARENTHESES	Q.A. APP'D		
GENERAL TOLERANCES	DWG APPR.		
1 DECIMAL PLACE	ENG. REL. NO.	EAR 14162	
2 DECIMAL PLACES ±0.15	REF.		
3 DECIMAL PLACES	THIRD ANGLE PROJECTION		
ANGULAR DEGREES	DO NOT SCALE DRAWING		

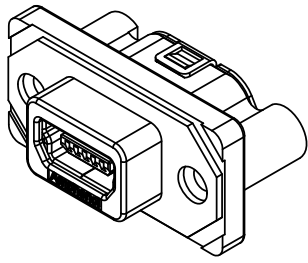
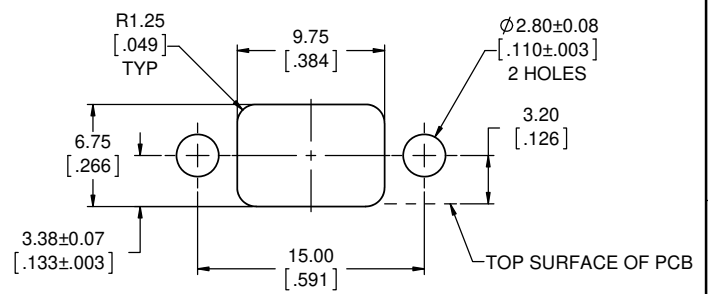
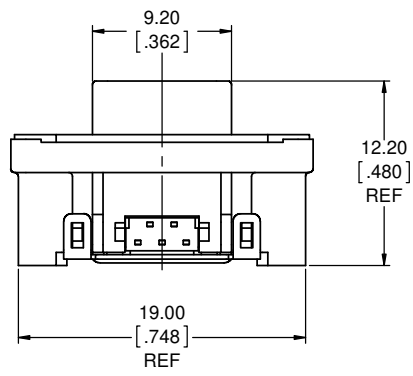
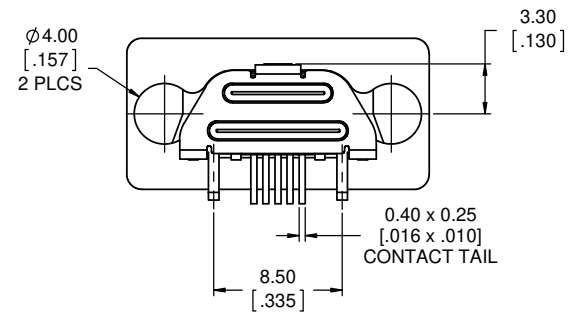
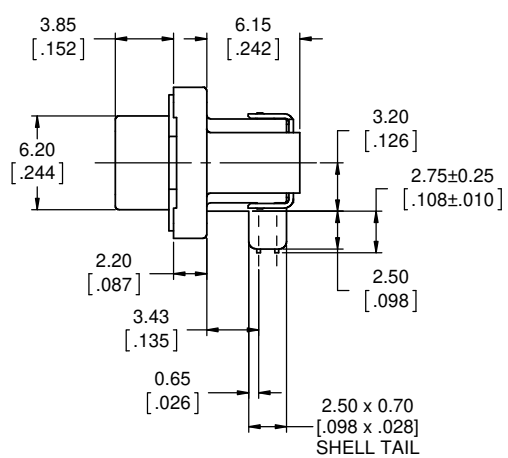
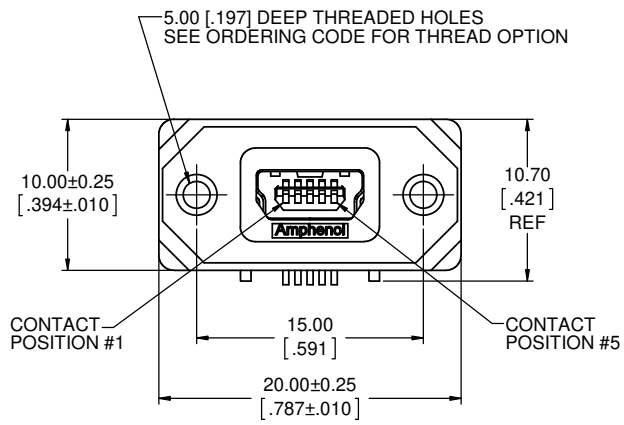
**Amphenol Canada Corp.**  
www.amphenolcanada.com

**MUSBR SERIES RUGGED USB MINI-B RECEPTACLE, RIGHT ANGLE PCB TAIL, FLANGE, THREAD & COVER OPTIONS, RoHS COMPLIANT**

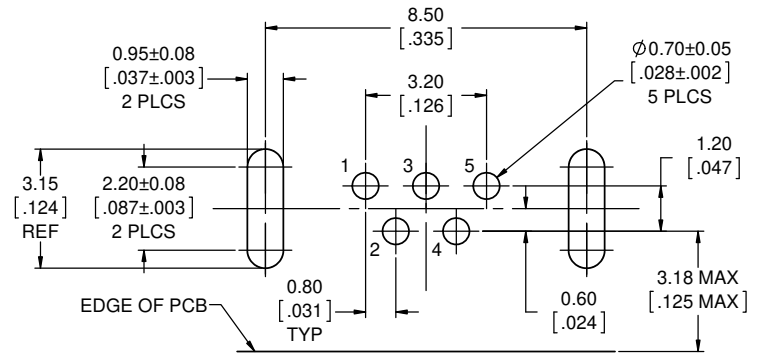
DWG. NO. **P-MUSBR-B151-XX** REV **B**

CODE ID NO. 03554 DWG SIZE: X SCALE: 4:1 SHEET 2 OF 3

REVISIONS			
REV	DESCRIPTION, ECN, EAR NO.	DATE	APP'D
A	PROPOSAL DRAWING (EAR 14162)	SEP9/14	K.L.
B	UPDATED PCB LAYOUT (EAR 14162)	JUL8/15	K.L.



**RECOMMENDED PANEL CUTOUT**  
OUTSIDE VIEW OF PANEL



**RECOMMENDED PCB LAYOUT**  
COMPONENT SIDE OF BOARD

LOCATE HOLES  
 $\varnothing 0.13 [0.005]$   
 POSITION DIMENSIONS  
 ARE BASIC



**REAR FLANGE POSITION SHOWN**  
**AMPHENOL CANADA PART NUMBERS: MUSBR-B151-5X**  
**MUSBR-B151-XX**

UNLESS SPECIFIED OTHERWISE	DRAWN	B.COPPING	SEP09/14
PRIMARY UNITS MILLIMETERS	CHECKED	K.LAMBIE	SEP09/14
SECONDARY UNITS INCHES	M.E. APP'D		
REFERENCE IN PARENTHESES	Q.A. APP'D		
GENERAL TOLERANCES	DWG APPR.		
1 DECIMAL PLACE	ENG. REL. NO.	EAR 14162	
2 DECIMAL PLACES ±0.15	REF.		
3 DECIMAL PLACES	THIRD ANGLE PROJECTION		
ANGULAR DEGREES	DO NOT SCALE DRAWING		

<b>Amphenol Canada Corp.</b> www.amphenolcanada.com	
MUSBR SERIES RUGGED USB MINI-B RECEPTACLE, RIGHT ANGLE PCB TAIL, FLANGE, THREAD & COVER OPTIONS, RoHS COMPLIANT	
DWG. NO.	REV
<b>P-MUSBR-B151-XX</b>	<b>B</b>
CODE ID NO. 03554	DWG SIZE: X
SCALE: 4:1	SHEET 3 OF 3