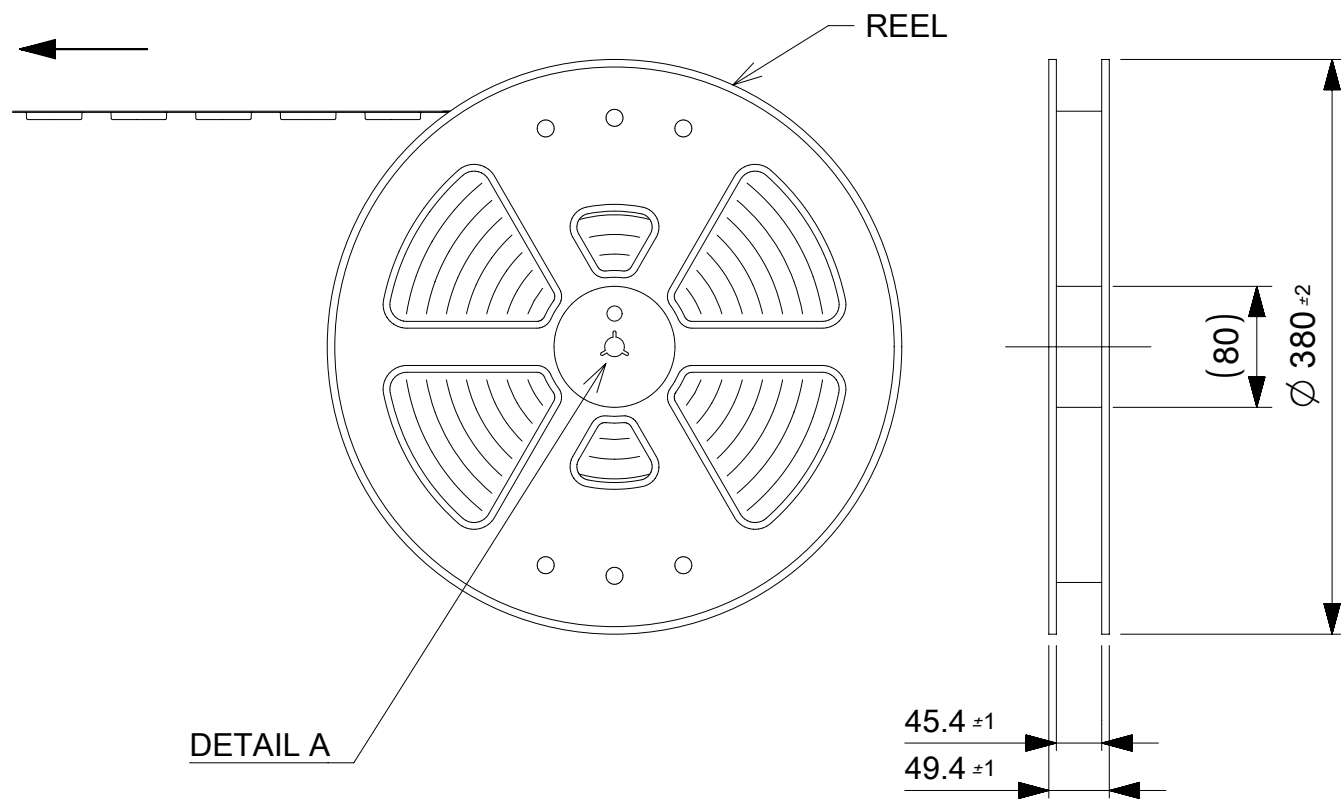
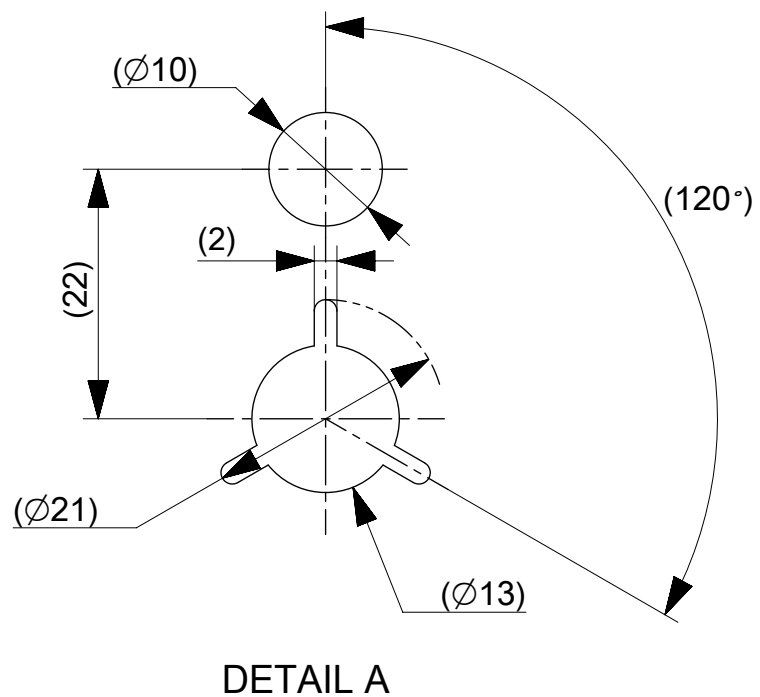


引き出し方向  
PULL OUT DIRECTION



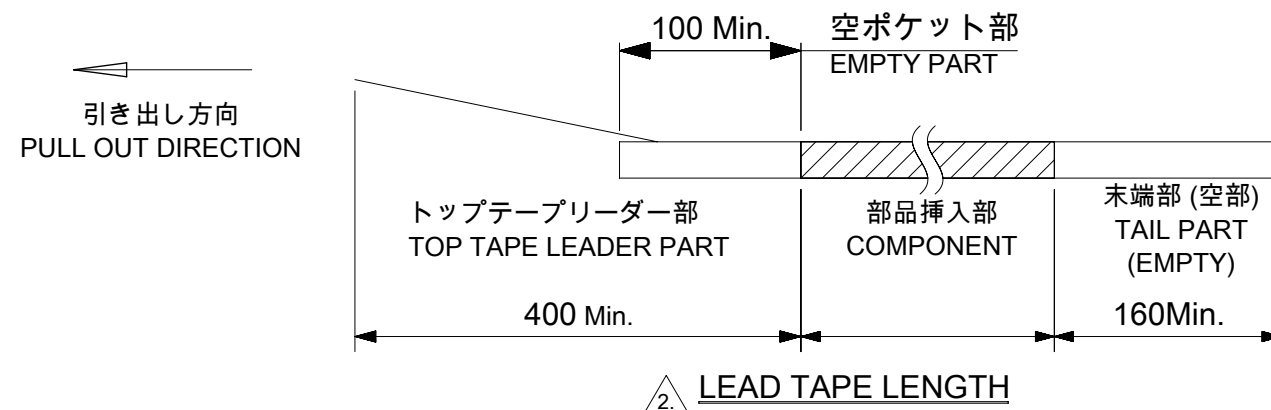
DETAIL A



DETAIL A

NOTES

- 梱包数量 : 350個 / リール  
THE NUMBER OF PACKAGED CONNECTORS: 350 PIECES/REEL
- リードテープ長さ  
LEAD TAPE LENGTH.
- 製品詳細寸法については、図面SD-534562-010を参照してください。  
FOR DIMENSIONS OF PRODUCT, REFER TO SD-53462-010.
- 材料 MATERIAL  
キャリアテープ : ポリスチレン  
CARRIER TAPE: POLYSTYRENE  
トップテープ : ポリエチレンテレフタレート、ポリエチレン  
TOP TAPE: POLYETHYLENE TEREPHTHALATE, POLYETHYLENE  
リール : ポリスチレン(リサイクル材を含む)  
REEL: POLYSTYRENE(RECYCLE MATERIAL CONTAINED)



△ 2. LEAD TAPE LENGTH

SYMBOLS	THIS DRAWING CONTAINS INFORMATION THAT IS PROPRIETARY TO MOLEX ELECTRONIC TECHNOLOGIES, LLC AND SHOULD NOT BE USED WITHOUT WRITTEN PERMISSION		CURRENT REV DESC:			<b>molex</b>		
	DIMENSION UNITS	SCALE						
▽ = 0	mm	1:1	EC NO: 621659			2.0 I/O FLAT SMT WAFER ASSY EMBSTP PKG		
▽ = 0	GENERAL TOLERANCES (UNLESS SPECIFIED)		DRWN: KTAKEUCHI01 2019/08/01			PRODUCT CUSTOMER DRAWING		
▽ = 0	ANGULAR TOL ± 3.0°		CHK'D: RTAKEUCHI 2019/08/06			DOCUMENT NUMBER		
▽ = 0	4 PLACES ± 0.03		APPR: RTAKEUCHI 2019/08/06			534620001		
▽ = 0	3 PLACES ± 0.03		INITIAL REVISION:			PSD 000 B		
▽ = 0	2 PLACES ± 0.05		DRWN: KTAKEUCHI01 2017/10/17			MATERIAL NUMBER		
▽ = 0	1 PLACE ± 0.1		APPR: RTAKEUCHI 2017/12/19			CUSTOMER		
▽ = 0	0 PLACES ± 0.2		THIRD ANGLE PROJECTION			SHEET NUMBER		
■ = 0	DRAFT WHERE APPLICABLE MUST REMAIN WITHIN DIMENSIONS		DRAWING			1 OF 2		
▽ = 0			SERIES			A3-SIZE 53462		

引き出し方向  
(PULL OUT DIRECTION)

534620629

トッパテープ  
TOP TAPE

DETAIL C

B →

B →

20  
(ポケットピッチ)  
(POCKET PITCH)

4 ± 0.1

∅ 1.5<sup>+0.1</sup><sub>0</sub>

1.75 ± 0.1

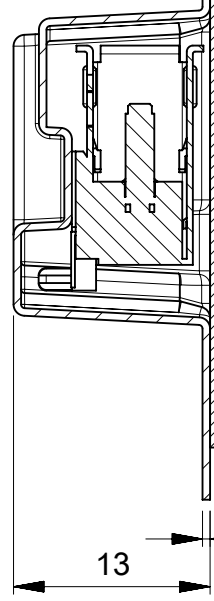
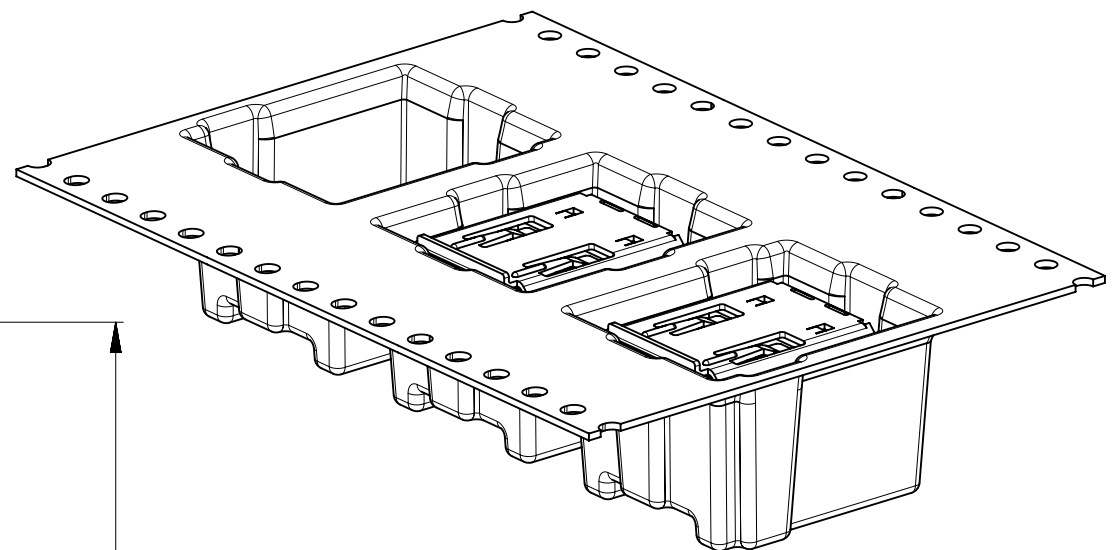
40.4

44 ± 0.3

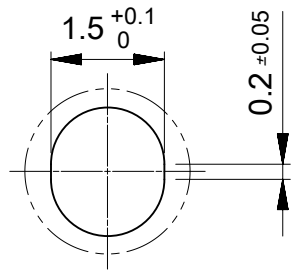
0.5 ± 0.05

13

累積ピッチ : 40 ± 0.2  
ACCUMULATIVE PITCH: 40 ± 0.2



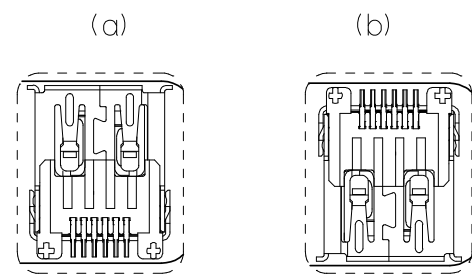
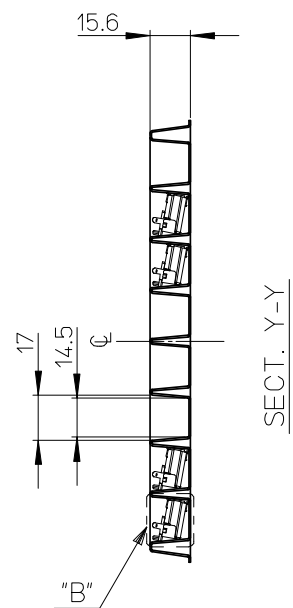
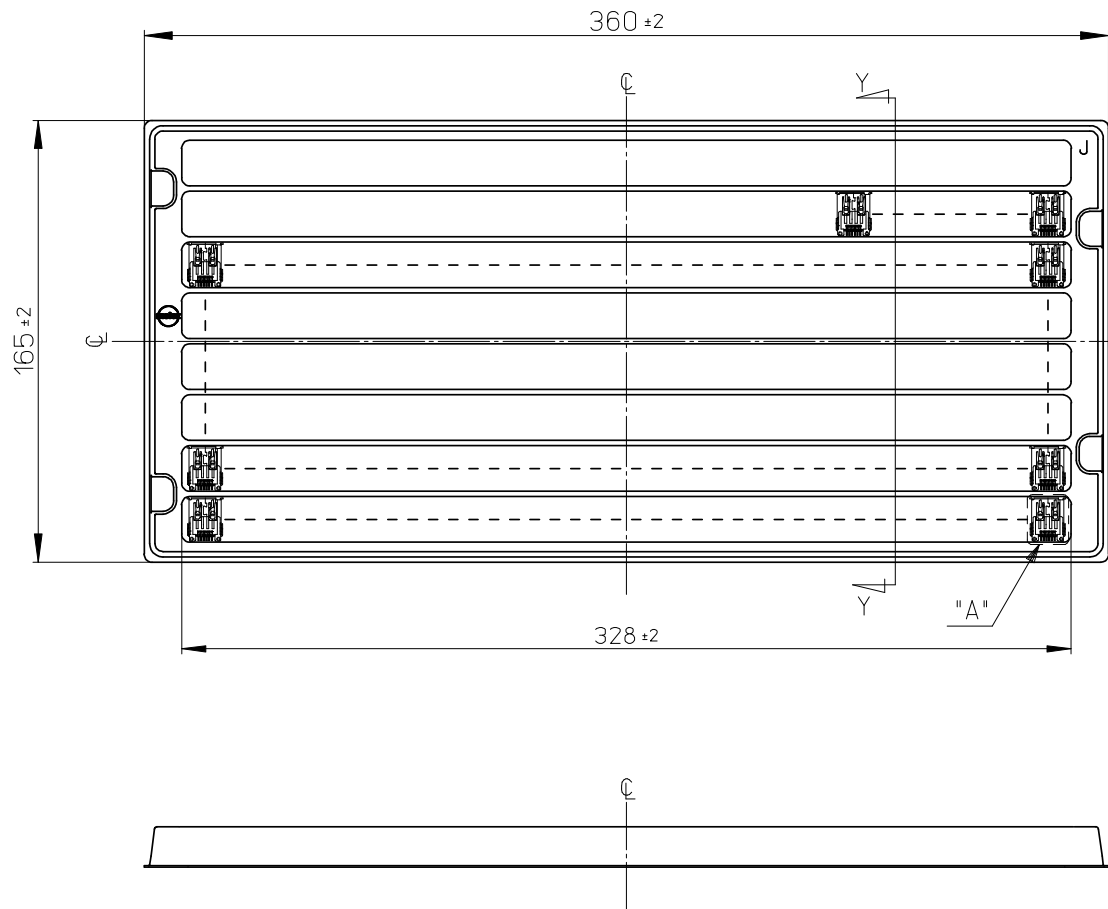
SECTION B-B



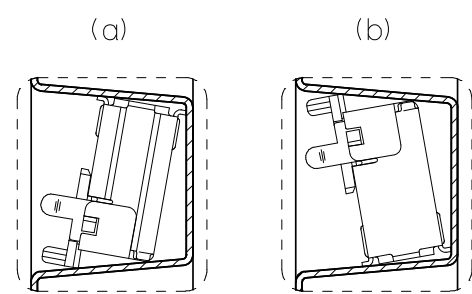
DETAIL C  
SCALE 10:1

534620629	534620001
CONNECTOR MATERIAL NO.	EMBOSSED PACKAGE オーダー番号 ORDER NO.

SYMBOLS	THIS DRAWING CONTAINS INFORMATION THAT IS PROPRIETARY TO MOLEX ELECTRONIC TECHNOLOGIES, LLC AND SHOULD NOT BE USED WITHOUT WRITTEN PERMISSION		CURRENT REV DESC:			<b>molex</b>
	▽ = 0	mm	SCALE	2:1		
▽ = 0	GENERAL TOLERANCES (UNLESS SPECIFIED)		EC NO: 621659			2.0 I/O FLAT SMT WAFER ASSY EMBSTP PKG
▽ = 0	ANGULAR TOL ± 3.0°		DRWN: KTAKEUCHI01 2019/08/01			
▽ = 0	4 PLACES	± 0.03	CHK'D: RTAKEUCHI 2019/08/06			
▽ = 0	3 PLACES	± 0.03	APPR: RTAKEUCHI 2019/08/06			
▽ = 0	2 PLACES	± 0.05	INITIAL REVISION:			
▽ = 0	1 PLACE	± 0.1	DRWN: KTAKEUCHI01 2017/10/17			
▽ = 0	0 PLACES	± 0.2	APPR: RTAKEUCHI 2017/12/19			
■ = 0	DRAFT WHERE APPLICABLE MUST REMAIN WITHIN DIMENSIONS		THIRD ANGLE PROJECTION	DRAWING	SERIES	DOCUMENT NUMBER
▽ = 0				A3-SIZE	53462	534620001
			MATERIAL NUMBER	CUSTOMER	DOC TYPE	DOC PART
					PSD	000
					REVISION	B
					SHEET NUMBER	
					2 OF 2	



△ 4 DETAIL A  
(SCALE 2:1)



△ 4 DETAIL B  
(SCALE 2:1)

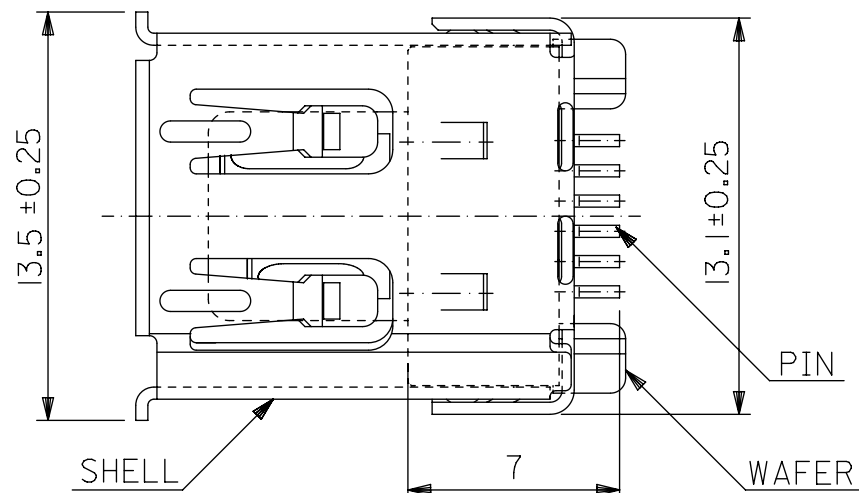
注記

1. 一般公差 : ±0.5  
GENERAL TOLERANCES: ±0.5
2. 各部の反りは2.0MAX.  
WARP 2.0MAX.
3. 梱包数 : 150個  
PACKAGING QUANTITY: 150PCS.

△ 4 トレイの中の製品の向きは (a) 又は (b) とし、かつ同一トレイ中の製品の向きはどちらか一方で統一  
PRODUCT DIRECTION SHOULD BE (a) OR (b).  
ALL PRODUCTS MUST FACED THE SAME DIRECTION IN THE TRAY.

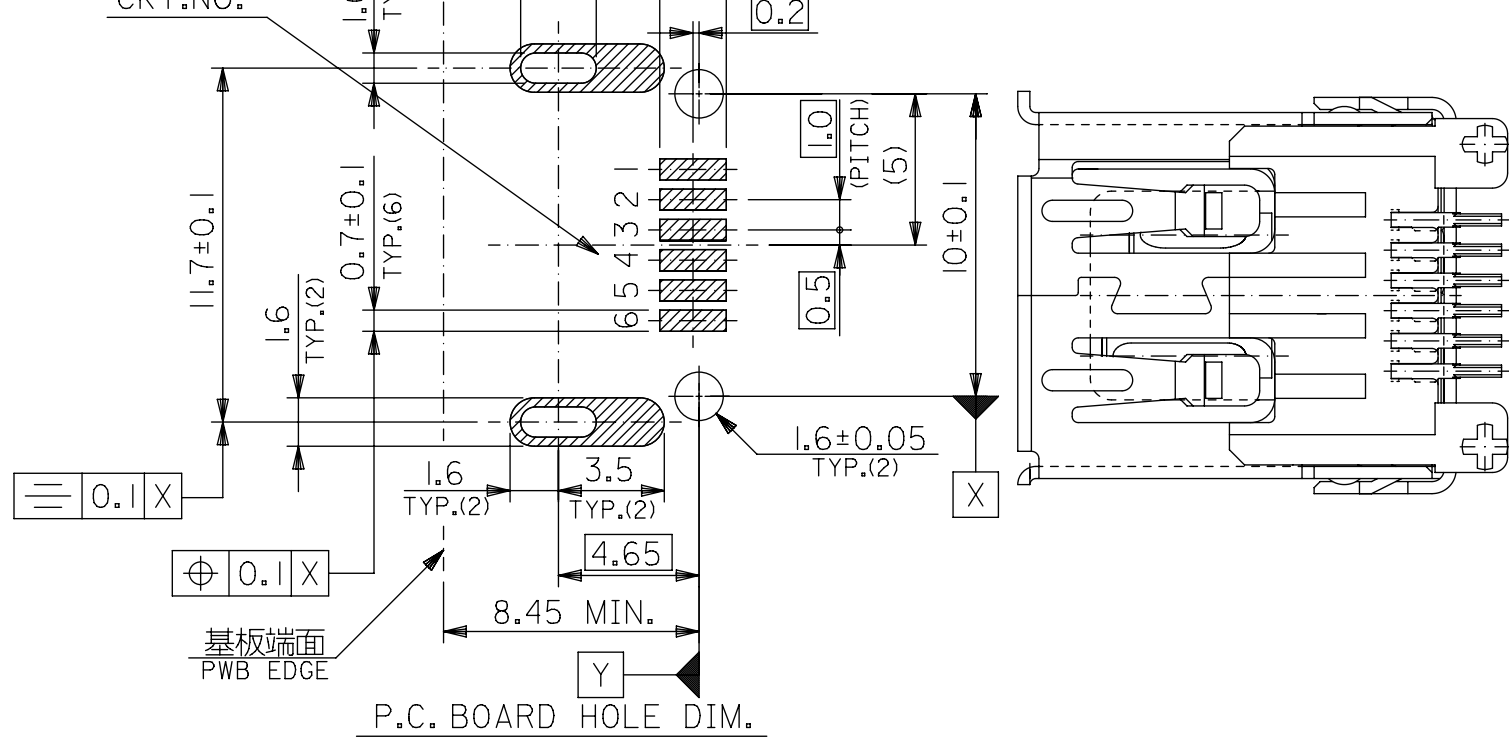
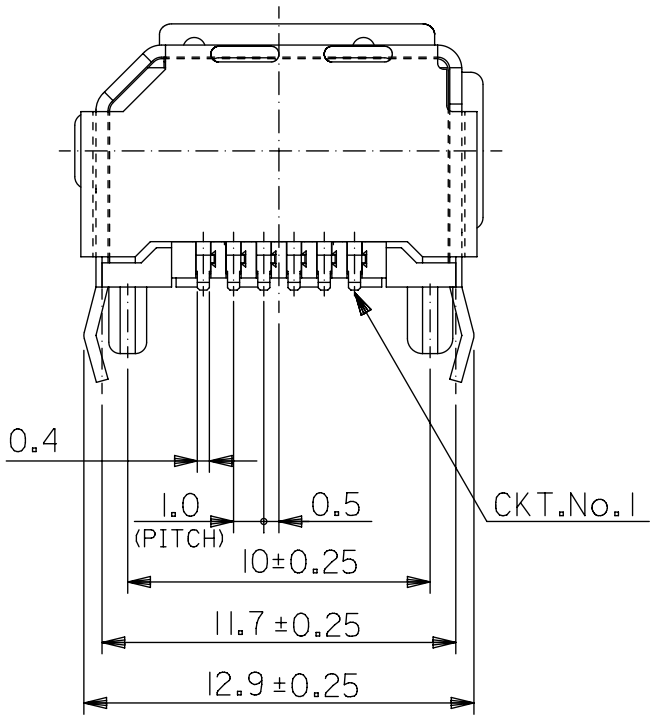
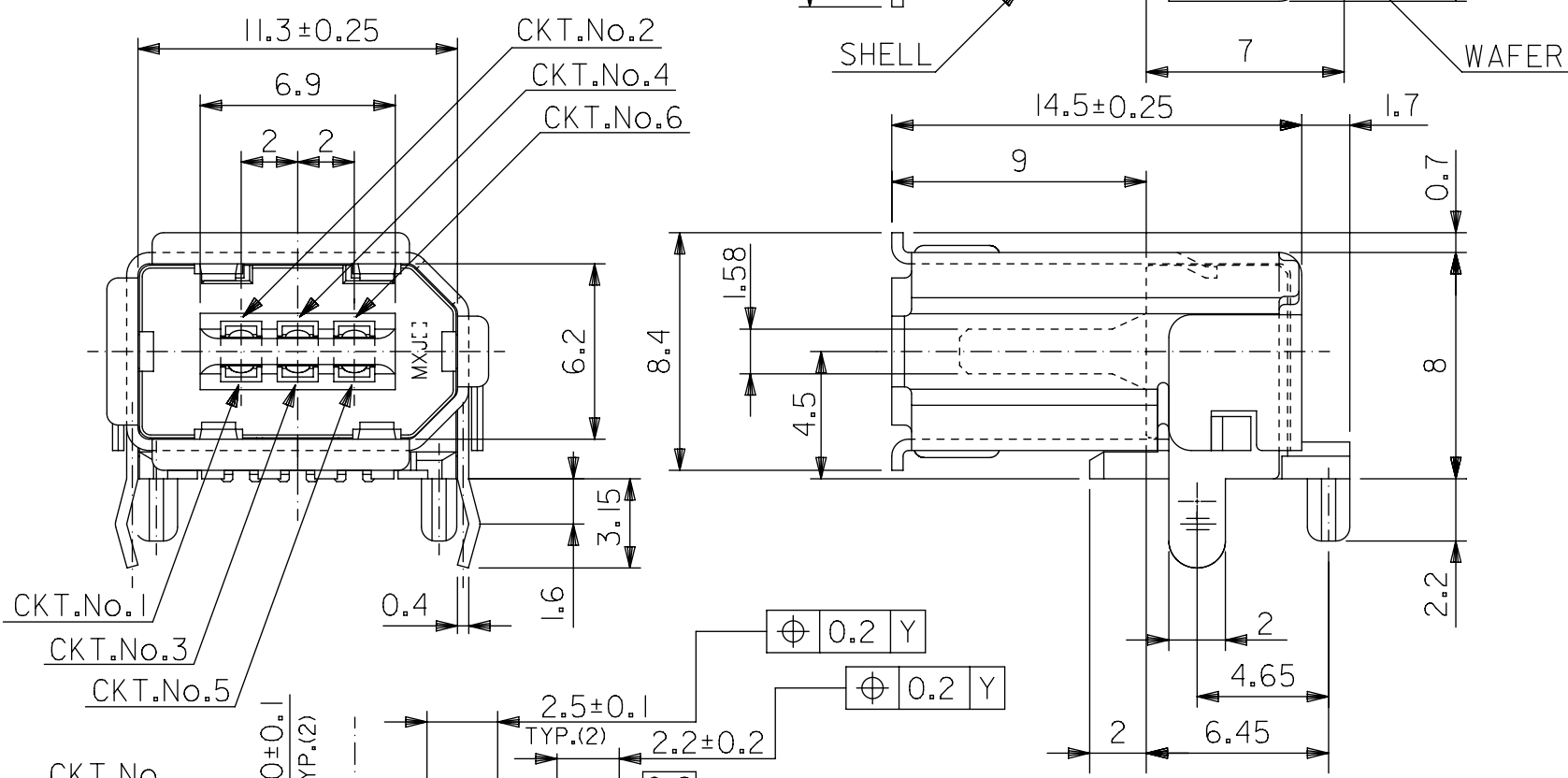
53462-0629  
適用製品番号  
APPLICABLE PART No.

RELEASED EC NO: J2008-3804 DRWN: YOKUZONO 2008/05/01 CH'KD: HARUYAMA 2008/05/01 APPR: NUKITA 2008/05/01	GENERAL TOLERANCES (UNLESS SPECIFIED)		DIMENSION STYLE MM ONLY		SCALE 1:2	DESIGN UNITS METRIC	THIRD ANGLE PROJECTION
	10 UNDER	± ---	DRAWN BY Y. TOKUZONO		DATE 2008/4/28		TRAY FOR 53462 (2.0 I/O FLAT SMT WAFER ASS'Y)  MOLEX INCORPORATED
	10 OVER	± ---	CHECKED BY T. HARUYAMA		DATE 2008/4/28		
	30 OVER	± ---	APPROVED BY N. UKITA		DATE 2008/4/28		
ANGULAR ± --- °		MATERIAL NO. 098910030		DOCUMENT NO. SD-53462-001			
DRAFT WHERE APPLICABLE MUST REMAIN WITHIN DIMENSIONS		SIZE A3		THIS DRAWING CONTAINS INFORMATION THAT IS PROPRIETARY TO MOLEX INCORPORATED AND SHOULD NOT BE USED WITHOUT WRITTEN PERMISSION			SHEET NO. 1 OF 1



部品名 PARTS NAME	材質 MATERIAL	注記 NOTES
ウエハー WAFER	ガラス入り46ナイロン NYLON46 G.F.	G.F.30%, UL94V-0, 色:黒 G.F.30%, UL94V-0, COLOR : BLACK
ピン PIN	黄銅 t0.25 BRASS t0.25	接点部 : 金メッキ0.76µmMIN. CONTACT AREA : GOLD 0.76 MICROMETER MIN. 半田付け部 : 錫メッキ1.0µmMIN. SOLDERTAIL AREA : TIN 1.0 MICROMETER MIN. 下地メッキ : ニッケルメッキ2.0µmMIN. UNDER-PLATING : NICKEL 2.0 MICROMETER MIN.
シエル SHELL	りん青銅 t0.4 PHOSPHOR BRONZE t0.4	錫メッキ : 1.0µmMIN. TIN : 1.0 MICROMETER MIN. 下地メッキ : ニッケルメッキ1.27µmMIN. UNDER-PLATING : NICKEL 1.27 MICROMETER MIN.

本製品は53462-\*\*-21の鉛フリー品である。  
THIS PRODUCT IS LEAD FREE OF 53462-\*\*21.



53462-0629	6
MATERIAL NO.	CIRCUIT
MODEL NO.	53462-**-29

THIS DRAWING CONTAINS INFORMATION THAT IS PROPRIETARY TO MOLEX ELECTRONIC TECHNOLOGIES, LLC AND SHOULD NOT BE USED WITHOUT WRITTEN PERMISSION		CURRENT REV DESC:		<b>molex</b>	
DIMENSION UNITS	SCALE	EC NO: 615419			
mm	4:1	DRWN: KTAKEUCHI01 2019/04/11		2.0 I/O CONN. SOCKET RIGHT-ANGLE FLAT KINK -LEAD FREE-	
GENERAL TOLERANCES (UNLESS SPECIFIED)		CHK'D: TRSUZUKI 2019/04/11			
ANGULAR TOL	± 1.0°	APPR: RTAKEUCHI 2019/04/11		PRODUCT CUSTOMER DRAWING	
4 PLACES	± 0.2	INITIAL REVISION:			
3 PLACES	± 0.2	DRWN: YWADA 2004/05/21		DOCUMENT NUMBER	
2 PLACES	± 0.2	APPR: MSASAO 2004/05/24		SD-53462-010	
1 PLACE	± 0.2	THIRD ANGLE PROJECTION		DOC TYPE	
0 PLACES	± 0.2	DRAWING		PSD	
DRAFT WHERE APPLICABLE MUST REMAIN WITHIN DIMENSIONS		SERIES		DOC PART	
		A3-SIZE		001	
		53462		REVISION	
				A	
		MATERIAL NUMBER		SHEET NUMBER	
		SEE TABLE		1 OF 1	
		CUSTOMER			
		GENERAL MARKET			